

DRUMCRAFT

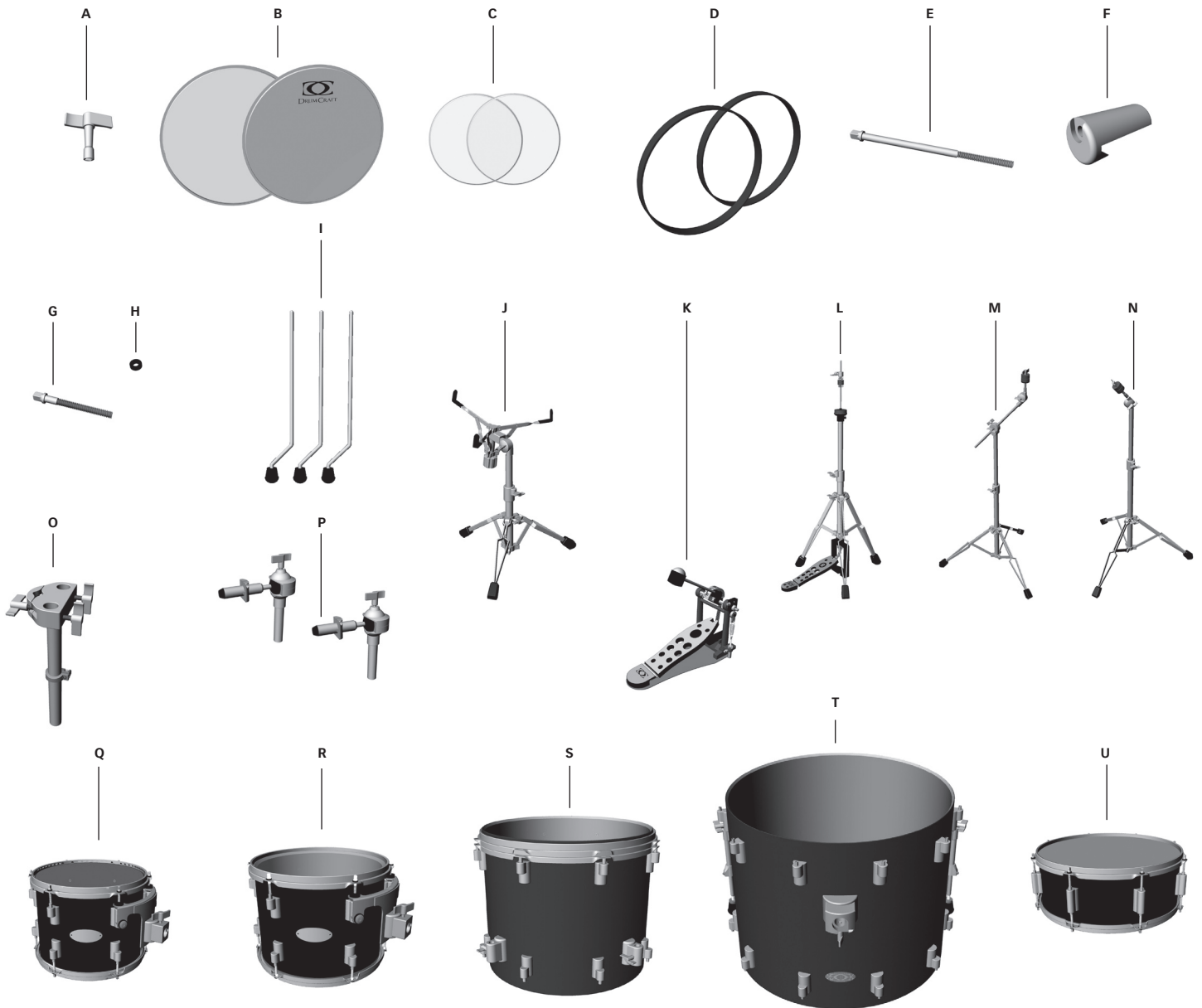
ASSEMBLY INSTRUCTIONS

& FEATURES



www.drumcraft.com

PACKAGE CONTENTS



PARTS

- A 1 Drumkey
- B 2 Bass Drum Heads (Batter head clear, Resonant Head white coated)
- C 2 TT Heads (two identical clear heads)
- D 2 BD Hoops
- E 16 BD Tension rods
- F 16 BD Claw Hooks
- G 16 FT Tension rods
- H 32 nylon washers
- I 3 Floor Tom Legs

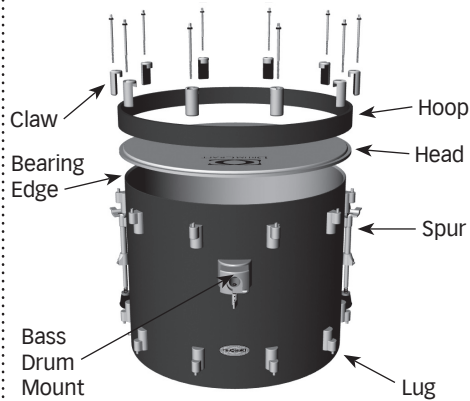
HARDWARE

- J 1 Snare stand
- K 1 Foot pedal
- L 1 HH stand
- M 1 Cymbal boom stand
- N 1 straight cymbal stand
- O 1 Single post
- P 2 tom holders

DRUMS

	STD consists of	22FU consists of	20FU consists of	18JZ consists of
Q	1 12x9 Rack Tom	1 10x8 Rack Tom	1 10x8 Rack Tom	1 10x8 Rack Tom
R	1 13x12 Rack Tom	1 12x9 Rack Tom	1 12x9 Rack Tom	1 12x9 Rack Tom
S	1 16x14 Floor Tom	1 14x12 Floor Tom	1 14x12 Floor Tom	1 14x12 Floor Tom
T	1 22x16 Kick Drum	1 22x16 Kick Drum	1 20x16 Kick Drum	1 18x16 Kick Drum
U	1 14x5 Snare Drum	1 14x5 Snare Drum	1 14x5 Snare Drum	1 12x4 Snare Drum

BD ASSEMBLY



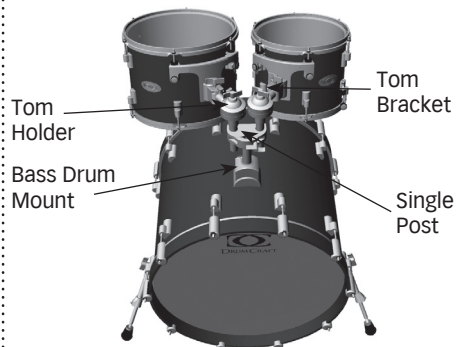
1. Place the bass drum (T) on the floor, so the bearing edge points towards the top.
2. Place the white BD head (B) on the bearing edge, and center the logo so you can read it.
3. Center one of the BD hoops (D) onto the aluminium ring of the head.
4. Slide the one nylon washer (H) on each BD tension rod (E).
5. Slide the tension rod including washer into the BD claw hooks (F).
6. Position every tension rod, washer claw hook unit onto the hoop and screw the tension rod into the receiver nut of the lugs. Tighten the tension rod by hand only. Tuning will be done later.
7. Turn the shell upside down.
8. Repeat step 1–6 on the batter side of the drum with the clear head.

BD SETUP



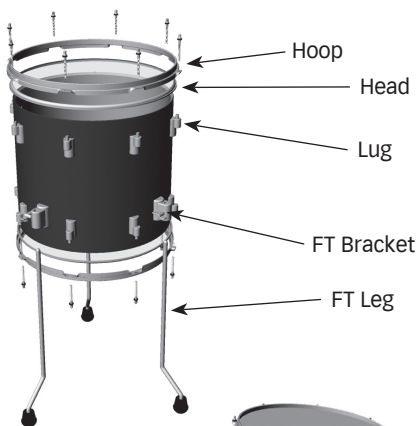
9. Set the shell right side up.
10. Loosen the spur's wing nut and angle the spur forward to the determined slots and fix it again.
11. Extend the spur by loosen the square head screw with the drum key. Fix the legs so the front end of the BD is lifted about 3 cm (two fingers wide) off the ground.

RACK TOMS



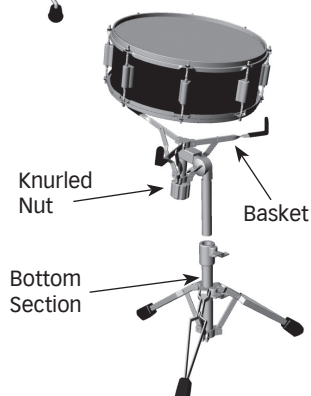
12. Insert the single post (O) into the bass drum mount of the bass drum.
13. Insert the tom holders (P) into the matching holes of the single post.
14. Loosen the wing screw of the tom bracket of the rack tom (Q, R) to slide onto the tube of the tom holder. The nose of the memory lock should snap in the notch of the bracket.
15. Tighten the wing screw of the bracket.
16. Set the angle and height of the toms that an imagined line of the batter head points towards your hip.

FLOOR TOM ASSEMBLY



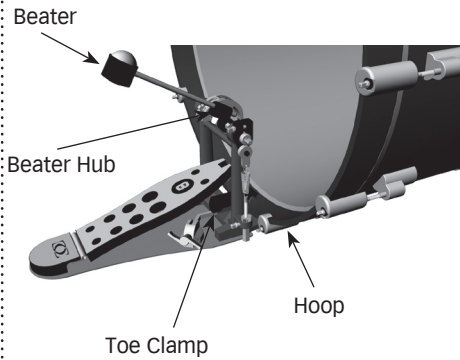
17. Separate the hoops from the floor tom (S) by loosening the two tension rods.
18. Place one head on the bearing edge of the tom. Center the hoop on the head and slide the tension rods with washers through the holes of the hoop into the receiver nuts of the lugs and tighten them.
19. Repeat this step for the opposite side.
20. Position the floor tom legs in the brackets and tighten the wing screws.
21. Set the height of the tom as an imagined line from the batter head points towards your hip.

SNARESTAND



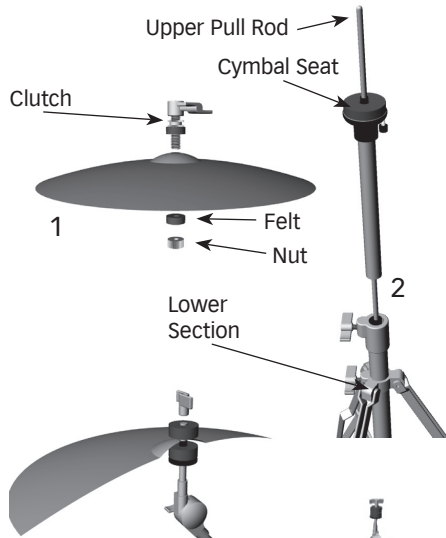
22. Spread the legs on the bottom section of the Snare Stand (J) and tighten the wing screw. Slide the tube of the top section into the base section and tighten the wing screw on the tube joint.
23. Tip the basket of the stand to an upright position and spread it open by hand, if it doesn't open as wide as you need for the snare, use the knurled nut to fine adjust the width.
24. Place the Snare onto the basket and tighten the knob so the three arms embrace the snare drum with no tension.

BASS DRUM PEDAL



25. Attach the pedal (K) to the BD hoop bottom on the batter side using the toe clamp's wing screw or square head screw (depending on the model included).
26. Slide the rod of the beater into the beater hub on the axle of the pedal. Fix the rod with the square head screw that the beater hits the BD head slightly above the center.

HH-STAND



27. Spread the legs open on the bottom section and insert the radius rod of the pedal into the holes of the frame.
28. Make sure the frame has little space to the floor, so the stand rest mainly on the three legs.
29. Screw the pull rod of the upper section into the receiver rod of the lower section (as seen in figure 2).
30. Remove the HH Clutch from the pull rod and slide the upper tube section into the base.
31. Place the HH bottom cymbal on the HH seat of the top section.
32. Fix the top cymbal in the HH clutch (as seen in figure 1).
33. Slide the clutch onto the pull rod and tighten the wing screw so the cymbal rests 2 cm above the bottom cymbal.

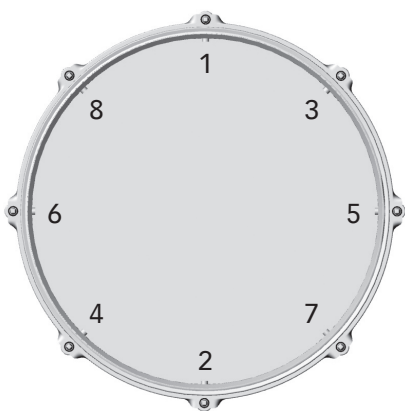
Note: Cymbals not included.

OVERALL ARRANGEMENT AND SETUP



- Place your cymbals on the cymbal stands and HH stand.
34. Arrange the drums and stands in a comfortable playing position.
 35. Every drum should point (as a start) toward your hip. Make sure the rack toms do NOT touch the BD.
 36. Cymbals should be arranged in a position that can be reached without stretching your arms.

TUNING



- Tuning the drums is a delicate process. It takes years of experience to achieve satisfying results, time and time again. However, here's a tip how to start at first with the lowest tuning available for your drum. Your taste may be different, but with drumming experience you will develop tuning methods that suit you better.
37. Press your index finger into the center of the batter head and keep it pressed. Tighten the tension rods with the drum key in a criss cross pattern until the wrinkles of the head at the bearing edge disappear.
 38. Do it the same on the opposite side of the drum. Now you have the lowest tuning available for your drum.
 39. If you want to adjust the pitch, tighten the tension rods (always in a criss cross pattern.) To check for even tension, tap the head with your finger in 2 cm distance to the tension rod. The appearing sound should have the same pitch for every tension rod on the head.
 40. As a start, tighten the resonant head slightly higher in pitch than the batter head.

Tip: the Snare drum is tuned much higher than toms in most cases, so here you should apply more tension.

Thanks for choosing DrumCraft – enjoy keep on drumming!