

USER'S MANUAL
BEDIENUNGSANLEITUNG
MANUEL D'UTILISATION
MANUAL DE USUARIO
INSTRUKCJA OBSŁUGI
MANUALE D' USO



LD WSEC02 / LD WSEC02X2
UHF WIRELESS SYSTEMS



ENGLISH

DEUTSCH

FRANCAIS

ESPAÑOL

POLSKI

ITALIANO

You've made the right choice!

We have designed this product to operate reliably over many years. LD Systems stands for this with its name and many years of experience as a manufacturer of high-quality audio products.

Please read this User's Manual carefully, so that you can begin making optimum use of your LD Systems product quickly.

You can find more information about LD SYSTEMS at our Internet site WWW.LD-SYSTEMS.COM

LD WSEC02 / LD WSEC02X2

UHF WIRELESS SYSTEMS



ENGLISH

DEUTSCH

FRANCAIS

ESPAÑOL

POLSKI

ITALIANO



PREVENTIVE MEASURES:

1. Please read these instructions carefully.
2. Keep all information and instructions in a safe place.
3. Follow the instructions.
4. Observe all safety warnings. Never remove safety warnings or other information from the equipment.
5. Use the equipment only in the intended manner and for the intended purpose.
6. Use only sufficiently stable and compatible stands and/or mounts (for fixed installations). Make certain that wall mounts are properly installed and secured. Make certain that the equipment is installed securely and cannot fall down.
7. During installation, observe the applicable safety regulations for your country.
8. Never install and operate the equipment near radiators, heat registers, ovens or other sources of heat. Make certain that the equipment is always installed so that is cooled sufficiently and cannot overheat. Avoid direct sunlight!
9. Never place sources of ignition, e.g., burning candles, on the equipment.
10. Ventilation slits must not be blocked.
11. Do not use this equipment in the immediate vicinity of water (does not apply to special outdoor equipment - in this case, observe the special instructions noted below. Do not expose this equipment to flammable materials, fluids or gases.
12. Make certain that dripping or splashed water cannot enter the equipment. Do not place containers filled with liquids, such as vases or drinking vessels, on the equipment.
13. Make certain that objects cannot fall into the device.
14. Use this equipment only with the accessories recommended and intended by the manufacturer.
15. Do not open or modify this equipment.
16. After connecting the equipment, check all cables in order to prevent damage or accidents, e.g., due to tripping hazards.
17. During transport, make certain that the equipment cannot fall down and possibly cause property damage and personal injuries.
18. If your equipment is no longer functioning properly, if fluids or objects have gotten inside the equipment or if it has been damaged in another way, switch it off immediately and unplug it from the mains outlet (if it is a powered device). This equipment may only be repaired by authorized, qualified personnel.
19. Clean the equipment using a dry cloth.
20. Comply with all applicable disposal laws in your country. During disposal of packaging, please separate plastic and paper/cardboard.
21. Plastic bags must be kept out of reach of children.

FOR EQUIPMENT THAT CONNECTS TO THE POWER MAINS:

22. CAUTION: If the power cord of the device is equipped with an earthing contact, then it must be connected to an outlet with a protective ground. Never deactivate the protective ground of a power cord.
23. If the equipment has been exposed to strong fluctuations in temperature (for example, after transport), do not switch it on immediately. Moisture and condensation could damage the equipment. Do not switch on the equipment until it has reached room temperature.
24. Before connecting the equipment to the power outlet, first verify that the mains voltage and frequency match the values specified on the equipment. If the equipment has a voltage selection switch, connect the equipment to the power outlet only if the equipment values and the mains power values match. If the included power cord or power adapter does not fit in your wall outlet, contact your electrician.
25. Do not step on the power cord. Make certain that the power cable does not become kinked, especially at the mains outlet and/or power adapter and the equipment connector.
26. When connecting the equipment, make certain that the power cord or power adapter is always freely accessible. Always disconnect the equipment from the power supply if the equipment is not in use or if you want

SAFETY:

ENGLISH

DEUTSCH

FRANCAIS

ESPAÑOL

POLSKI

ITALIANO

to clean the equipment. Always unplug the power cord and power adapter from the power outlet at the plug or adapter and not by pulling on the cord. Never touch the power cord and power adapter with wet hands.

27. Whenever possible, avoid switching the equipment on and off in quick succession because otherwise this can shorten the useful life of the equipment.

28. **IMPORTANT INFORMATION:** Replace fuses only with fuses of the same type and rating. If a fuse blows repeatedly, please contact an authorised service centre.

29. To disconnect the equipment from the power mains completely, unplug the power cord or power adapter from the power outlet.

30. If your device is equipped with a Volex power connector, the mating Volex equipment connector must be unlocked before it can be removed. However, this also means that the equipment can slide and fall down if the power cable is pulled, which can lead to personal injuries and/or other damage. For this reason, always be careful when laying cables.

31. Unplug the power cord and power adapter from the power outlet if there is a risk of a lightning strike or before extended periods of disuse.



CAUTION:

Never remove the cover, because otherwise there may be a risk of electric shock. There are no user serviceable parts inside. Have repairs carried out only by qualified service personnel.



The lightning flash with arrowhead symbol within an equilateral triangle is intended to alert the user to the presence of uninsulated “dangerous voltage” within the product’s enclosure that may be of sufficient magnitude to constitute a risk of electrical shock.



The exclamation mark within an equilateral triangle is intended to alert the user to the presence of important operating and maintenance instructions.

CAUTION – HIGH VOLUME LEVELS WITH AUDIO PRODUCTS!

This equipment is intended for professional use. Therefore, commercial use of this equipment is subject to the respectively applicable national accident prevention rules and regulations. As a manufacturer, Adam Hall is obligated to notify you formally about the existence of potential health risks.

Hearing damage due to high volume and prolonged exposure: When in use, this product is capable of producing high sound-pressure levels (SPL) that can lead to irreversible hearing damage in performers, employees, and audience members. For this reason, avoid prolonged exposure to volumes in excess of 90 dB.



To prevent possible hearing damage, avoid listening at high volume levels over long periods of time. Even exposure to short bursts of loud noise can result in hearing loss. Please keep the volume constantly at a comfortable level.

SYSTEM COMPONENTS WSEC02 SYSTEMS:

ENGLISH

DEUTSCH

FRANCAIS

ESPAÑOL

POLSKI

ITALIANO

All sets include the following system components:

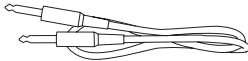


Receiver

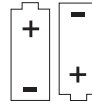


Power Supply

Audio cable 6.3 mm mono jack to 6.3 mm mono jack



Batteries



Additionally, depending on the set, the following accessories are included:

LDWSEC02X2BPH - EC02X2 Set with pocket transmitter and headset



Headset

Pocket transmitter

LDWSEC02HHD - EC02 Set with handheld transmitter



handheld transmitter with a dynamic microphone capsule

LDWSEC02BPG - EC02 Set with pocket transmitter and guitar cable



Guitar cable

Pocket transmitter

SYSTEM COMPONENTS WSEC02X2 SYSTEMS:

All sets include the following system components:

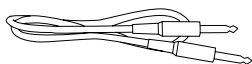


Dual receiver



Power Supply

Audio cable 6.3 mm mono jack to 6.3 mm mono jack



Batteries

Additionally, depending on the set, the following accessories are included:

LDWSEC02X2BPH - EC02X2 Set with 2 x pocket transmitters + 2 x headsets

or

LDWSEC02X2HHD- EC02X2 Set with 2 x handheld transmitters



2 x pocket transmitter



2 x handheld transmitter with a dynamic microphone capsule



2 x headset

ENGLISH

DEUTSCH

FRANCAIS

ESPAÑOL

POLSKI

ITALIANO



CONNECTIONS, CONTROLS AND INDICATORS:

ENGLISH

DEUTSCH

FRANCAIS

ESPAÑOL

POLSKI

ITALIANO

EC02 RECEIVER



CONNECTIONS, CONTROLS AND INDICATORS:

1 POWER LED

Lights up once the system is properly connected to the power mains and switched on (suitable power adapter included).

2 ANTENNA LEDS A / B

Indicate whether aerial input A or B is active.

3 NORM LED

Lights up as soon as an audio signal is present.

4 PEAK LED

Lights up if the receiver is operating at the distortion limit. To avoid distortion, reduce the signal level of the transmitter unit.

Handheld Transmitter: Turn the GAIN knob with a suitable tool to the left.

Pocket Transmitter: 3-stage MIC / 0 dB / -10 dB switch, set to the next lowest value.

5 VOLUME

Volume controller of the receiver. Turning the knob to the right increases the volume and turning it to the left decreases it.

6 AF OUTPUT

Balanced line output with XLR socket.

7 LOW VOLTAGE CONNECTOR

Connection for the voltage supply of the device. Please only use the power adapter included in the product package.

8 MUTE LEVEL

CAUTION: Before changing the Mute level, adjust the volume of the connected PA system to minimum.

The Mute function (noise reduction / Squelch) prevents any interference with the transmitter. In addition, sudden noise is suppressed when the transmitted signal from the transmitter to the receiver is not strong enough.

With the transmitter switched off, adjust the Mute level with a suitable screwdriver so that noises are effectively suppressed (when turned to the left, the noise reduction decreases, when turned to the right, it increases).

In unfavourable conditions, the transmission range may decrease when adjusting for strong noise reduction.

The Mute level controller is set to the left at the factory, therefore, the noise reduction is set at minimum strength.

This setting is suitable for the majority of applications and changes are only needed in rare cases.

9 UNBAL OUTPUT

Unbalanced line output with 6.3 mm jack.

CONNECTIONS, CONTROLS AND INDICATORS:

ENGLISH

DEUTSCH

FRANCAIS

ESPAÑOL

POLSKI

ITALIANO

EC02X2 RECEIVER



CONNECTIONS, CONTROLS AND INDICATORS:

- 1 POWER LED**
Lights up once the system is properly connected to the power mains and switched on (suitable power adapter included).
- 2 RF-LED CH 1 / CH 2**
Lights up when a radio signal is present on channel 1 (CH 1) or channel 2 (CH 2).
- 3 AUDIO LED**
Lights up when a radio signal is present on channel 1 (CH 1) or channel 2 (CH 2).
- 4 VOLUME CH 1 / CH 2**
Volume controller for the receiver on channel 1 (CH 1) or channel 2 (CH 2). Turning the knob to the right increases the volume and turning it to the left decreases it.
- 5 AF OUTPUT CHANNEL 1 / CHANNEL 2**
Balanced line output with XLR connector for the receiver on channel 1 (CH 1) or channel 2 (CH 2).
- 6 MUTE LEVEL CHANNEL 1 / CHANNEL 2**
Mute controller for the receiver on channel 1 (CH 1) or channel 2 (CH 2).
CAUTION: Before changing the Mute level, adjust the volume of the connected PA system to minimum. The Mute function (noise reduction / Squelch) prevents any interference with the transmitter. In addition, sudden noise is suppressed when the transmitted signal from the transmitter to the receiver is not strong enough. With the transmitter switched off, adjust the Mute level with a suitable screwdriver so that noises are effectively suppressed (when turned to the left, the noise reduction decreases, when turned to the right, it increases). In unfavourable conditions, the transmission range may decrease when adjusting for strong noise reduction. The Mute level controller is set to the left at the factory, therefore, the noise reduction is set at minimum strength. This setting is suitable for the majority of applications and changes are only needed in rare cases.
- 7 LOW VOLTAGE CONNECTOR**
Connection for the voltage supply of the device. Please only use the power adapter included in the product package.
- 8 2 IN 1 MIX UNBAL OUTPUT**
Unbalanced line output with 6.3 mm jack. The audio signal consists of a mix of signals from the channels 1 and 2 (CHANNEL 1 + CHANNEL 2). The volume ratio of the two channels can be adjusted using the volume knob (no. 4) of channels 1 and 2.

POCKET TRANSMITTER:

ENGLISH

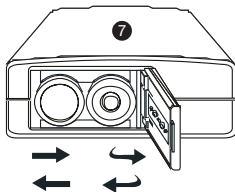
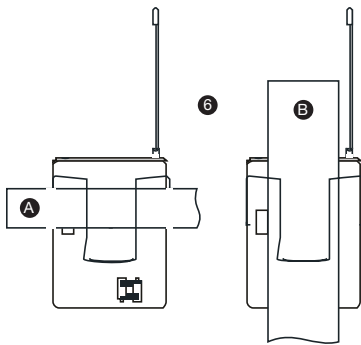
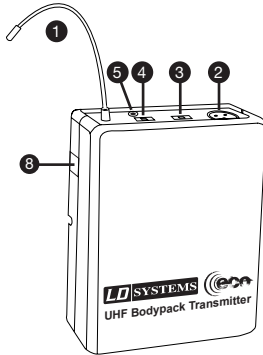
DEUTSCH

FRANCAIS

ESPAÑOL

POLSKI

ITALIANO



1 TRANSMITTER ANTENNA

To ensure optimal radio transmission, do not touch, bend or cover the antenna.

2 INPUT

3 pin mini XLR input for headset, lavalier and instrument microphones, as well as guitar cable. A list of all models is located in the specifications.

3 MIC / 0 DB / -10 DB

Adjust the input sensitivity.

LDWSEC02: Adjust the sensitivity so that when a signal is present (voice, vocals, guitar...), the green signal LED (NORM) on the receiver lights up. As soon as the red PEAK LED lights up, reduce the sensitivity by turning the 3 stage MIC / 0 dB / -10 dB switch to the next lowest value, otherwise unwanted distortion may occur.

LDWSEC02X2: Adjust the sensitivity so that when a signal is present (voice, vocals, guitar...), the green signal LED (NORM) on the receiver lights up. As soon as the audio signal begins to distort, reduce the sensitivity by turning the 3 stage MIC / 0 dB / -10 dB switch to the next lowest value.

4 ON / STANDBY / OFF

When the transmitter is turned on (switch is in STANDBY / ON position), the red LED flashes briefly to indicate the battery status and goes out immediately if batteries with sufficient charge are inserted. In STANDBY position, the transmitter is in operation, but the audio signal is muted.

5 BATTERY STATUS LED

As soon as the red LED lights up to indicate the battery status, replace the batteries immediately.

6 ATTACHING THE PACK TRANSMITTER

Attach the transmitter to a belt (Figure A) or guitar strap (Figure B) as shown here.

POCKET TRANSMITTER:

7 BATTERY REPLACEMENT

As soon as the red LED lights up to indicate the battery status, please replace the batteries by pressing down on the battery compartment cover at the marked position (OPEN) and slide it to the side. Insert two 1.5 V AA size alkaline batteries (LR6, AA) as in the illustration on the transmitter back and close the battery compartment cover by pressing the marked position (CLOSE) of the cover and then slide it to the side.

If the transmitter is not in use for a long period of time, remove the batteries from the battery compartment.

8 CHARGE

Low voltage socket for 3.5 mm barrel connector for charging size AA batteries (+ inside, - outside).

- Use only a charger suitable for the batteries used and be aware of the maximum permissible charging time.
- Please note that batteries inserted in the battery compartment are switched in series!
- Never try to charge non-rechargeable batteries

Failure to comply with above instructions may result in a fire or explosion hazard!

ENGLISH

DEUTSCH

FRANCAIS

ESPAÑOL

POLSKI

ITALIANO

HANDHELD TRANSMITTER:

ENGLISH

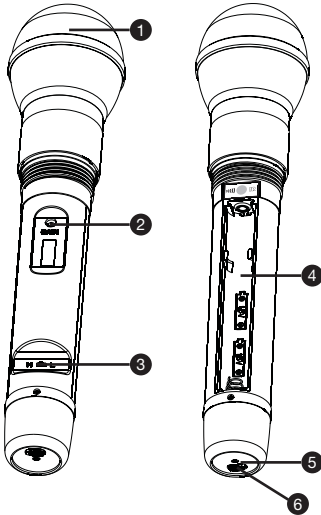
DEUTSCH

FRANCAIS

ESPAÑOL

POLSKI

ITALIANO



1 MICROPHONE HEAD

With dynamic microphone capsule.

2 GAIN

Setting the microphone volume. Turning the knob to the right increases the volume and turning it to the left decreases it.
LDWSEC02: Adjust the sensitivity so that when a signal is present (voice, vocals, guitar...), the green signal LED (NORM) on the receiver lights up. As soon as the red PEAK LED lights up, reduce the level accordingly, otherwise undesirable distortion may occur.
LDWSEC02X2: Adjust the sensitivity so that when a signal is present (voice, vocals, guitar...), the green signal LED (NORM) on the receiver lights up. Once the audio signal begins to distort, reduce the level accordingly.

3 RF POWER H / L

For a majority of applications, set the switch to H (= high power). To increase battery life, switch to L (= low power) for applications with a small distance between transmitter and receiver. Before the event, please check whether the low transmission power is sufficient.

4 BATTERY COMPARTMENT

Insert two 1.5 V AA size alkaline batteries (LR6 Mignon) as in the illustration inside the battery compartment. If the transmitter is not in use for a long period of time, remove the batteries from the battery compartment.

5 BATT LED

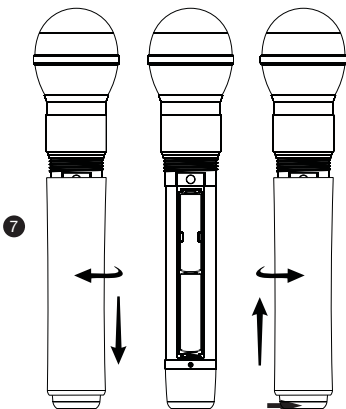
As soon as the red LED lights up to indicate battery status, replace the batteries immediately.

6 ON/OFF SWITCH

When the transmitter is turned on, the red LED flashes briefly to indicate the battery status and goes out immediately if batteries with sufficient charge are inserted.

7 BATTERY REPLACEMENT

As soon as the red LED lights up for battery status display, please replace the batteries by unscrewing the battery cover counter-clockwise from the transmitter and after changing the batteries screw it back on in the opposite direction.



OPTIMISATION OF THE RADIO TRANSMISSION:

- Aim the transmitter directly at the receiver ("line-of-sight" contact between the devices).
- Do not position the receiver near metal objects/surfaces or digital devices (CD players, computers, etc.).
- Position the receiver so that it is not directly in front of a wall and is at least 1 m above the floor.
- Mobile phones, two-way radios and the like, may affect the radio link between the transmitter and recipient and should not be used near the transmitter.

ENGLISH

DEUTSCH

FRANCAIS

ESPAÑOL

POLSKI

ITALIANO

TROUBLESHOOTING:

PROBLEM	DISPLAY	SOLUTION
No audio signal or low level	Receiver ECO2: Neither antenna A nor antenna B LED is lit. Receiver ECO2X2: RF LED does not light up.	Verify that the transmitter is turned on. Check the batteries in the transmitter.
	Receiver: Power LED is not lit	Verify the power supply.
	Receiver ECO2: Neither antenna A nor antenna B LED is lit. Receiver ECO2X2: RF LED does not light up. Transmitter: Device is turned on. Charge status of the batteries is ok.	Verify that transmitter and receiver have the same radio frequency. Bring the GAIN switch on the transmitter to position H (= high power). Reduce the distance between transmitter and receiver. Make sure that there is a direct line of sight between the transmitter and receiver. Make sure that the antennas of the receiver are aligned upward and into a V-shape. Reduce the amount of noise reduction (MUTE LEVEL)
	Receiver ECO2: Antenna A or Antenna B LED is lit. Receiver ECO2X2: RF LED lights up. Pocket Transmitter: The ON / STANDBY / OFF switch is in the STANDBY position.	Turn the ON / STANDBY / OFF switch on the transmitter to the ON position.
	Receiver ECO2: Antenna A or Antenna B LED is lit. Receiver ECO2X2: RF LED lights up. Receiver ECO2: Signal LED NORM is not lit when an audio signal is present. Receiver ECO2X2: Signal LED AUDIO is not lit when an audio signal is present.	Increase the signal level or the sensitivity of the transmitter.
Distortion and interference	Receiver: Radio signal indicator lights up	Remove possible sources of interference (digital devices, other wireless systems). Increase the level of noise reduction (MUTE level) on the receiver.
Distorted sound	Transmitter: The red LED to indicate battery status lights up. Receiver ECO2: The red PEAK LED indicator of the receiver lights up.	Replace the batteries in the transmitter. Reduce the signal level or the sensitivity of the transmitter.

SPECIFICATIONS:

RECEIVER

Model name:	LDWSEC02R	LDWSEC02X2
Receiver type:	diversity	non diversity
Modulation:	FM	
Frequency range:	863.100 MHz - WSEC02R1 863.900 MHz - WSEC02R2 864.500 MHz - WSEC02R3 864.900 MHz - WSEC02R4	863.100 / 864.500 MHz - WSEC02X2R1 863.900 / 864.900 MHz - WSEC02X2R2
Channels:	1	2
Antenna connectors:	Fixed Antenna	
Frequency response:	60 - 16.000 Hz	
Squelch:	Mute Level	
Signal-to-noise ratio:	>105 dB	
Balanced output:	XLR	2 x XLR
Unbalanced output:	6.3 mm jack	-
Unbalanced mix output:	-	6.3 mm jack
Audio output level (balanced):	-12 dBV	
Audio output level (unbalanced):	-18 dBV	
Controls:	volume	2 x volume
Indicators:	power, HF-indicator antenna A/B, audio signal, peak	power, RF-indicator channel 1 / 2, audio signal channel 1 / 2
Operating voltage:	12 - 18 V DC, 300 mA	12 - 18 V DC, 300 mA
Operating temperature range:	-10°C ... 45°C	
Relative humidity in operation:	25% ... 85%	
Dimensions (W x H x D):	235 x 44 x 118 mm	
Weight:	0,4 kg	0,4 kg
Accessories included:	power adapter, audio cable	power adapter, audio cable

ENGLISH

DEUTSCH

FRANCAIS

ESPAÑOL

POLSKI

ITALIANO

SPECIFICATIONS:

HANDHELD TRANSMITTER

Model name:	LDWSEC02MD
Modulation:	FM
Frequency range:	863.100 MHz - WSEC02MD1 863.900 MHz - WSEC02MD2 864.500 MHz - WSEC02MD3 864.900 MHz - WSEC02MD4
Channels:	1
Microphone type:	dynamic
Polar pattern:	cardioid
Frequency response:	60 - 16.000 Hz
RF output power:	10 mW
Controls:	Power on/off, gain, HF power H / L
Indicators:	battery low
Power supply:	2 x AA battery
Operating time:	up to 10 h (depending on batteries)
Operating temperature range:	-10°C ... 45°C
Relative humidity range in operation:	25% ... 85%
Dimensions (L x Ø):	250 x 53 mm
Weight:	0,28 kg
Accessories included:	2 x AA battery

SPECIFICATIONS:

BODYPACK TRANSMITTER

Model name:	LDWSEC02BP
Modulation:	FM
Frequency range:	863.100 MHz - WSEC02BP1 863.900 MHz - WSEC02BP2 864.500 MHz - WSEC02BP3 864.900 MHz - WSEC02BP4
Channels:	1
Input:	3-pin mini-XLR
Frequency response:	60 - 16.000 Hz
RF output power:	10 mW
Controls:	On / Standby / Off, triple gain switch
Indicators:	battery low
Power supply:	2 x AA batteries
Operating time:	up to 10 h (depending on batteries)
Operating temperature range:	-10°C ... 45°C
Relative humidity range in operation:	25% ... 85%
Dimensions (W x H x D):	65 x 85 x 23 mm
Weight (without batteries):	0,1 kg
Accessories included:	2 x AA battery

ENGLISH

DEUTSCH

FRANCAIS

ESPAÑOL

POLSKI

ITALIANO

SPECIFICATIONS:

ENGLISH

DEUTSCH

FRANÇAIS

ESPAÑOL

POLSKI

ITALIANO

MICROPHONE

Model name:	LDWS100MH1	LDWS100MH3
Microphone type:	headset	headset
Capsule:	back-electret condenser	back-electret condenser
Polar pattern:	cardioid	cardioid
Frequency response:	20 - 20.000 Hz	70 - 16.000 Hz
Connector:	3-pin mini-XLR	3-pin mini-XLR
Accessories included:	foam windscreen	foam windscreen
Features:	-	-
Model name:	LDHSAE1	LDWS100ML
Microphone type:	headset	lavalier microphone
Capsule:	back-electret condenser	back-electret condenser
Polar pattern:	bi-directional	cardioid
Frequency response:	80 - 16.000 Hz	20 - 20.000 Hz
Connector:	3-pin mini-XLR	3-pin mini-XLR
Accessories included:	foam windscreen	foam windscreen
Features:	water-repellent	-
Model name:	LDWS1000MW	LDHSM1
Microphone type:	wind instrument microphone	headset
Capsule:	back-electret condenser	back-electret condenser
Polar pattern:	cardioid	noise cancelling
Frequency response:	50 - 18.000 Hz	70 - 16.000 Hz
Connector:	3-pin mini-XLR	3-pin mini-XLR
Accessories included:	foam windscreen	foam windscreen
Features:	-	water-repellent

GUITAR CABLE

Model name:	LDWS100GC
Connector 1:	3-pin mini-XLR
Connector 2:	6.3 mm jack
Length:	1.5 m

MANUFACTURER'S DECLARATIONS:

ENGLISH

DEUTSCH

FRANCAIS

ESPAÑOL

POLSKI

ITALIANO

MANUFACTURER'S WARRANTY

This warranty extends to the LD SYSTEMS branded product you purchased from Adam Hall. The statutory warranty rights against the vendor shall not be affected by this warranty. Rather, this warranty gives you additional independent claims against Adam Hall.

With this warranty, Adam Hall ensures that products you have purchased from Adam Hall or Adam Hall partners, under normal use, are free of defects in material or workmanship for a period of 2 years from the date of purchase. The warranty period begins on the date of purchase. In order to assert a claim for warranty service, the proof of date of purchase is provided by the receipt bearing the date of purchase or the date of purchase on the delivery note. You are entitled to warranty service under the conditions and provisions set out in this document, if a repair within the warranty period is required.

This warranty applies only to the original purchaser of the products supplied by Adam Hall and is not transferable to any person to whom the property is transferred by the original purchaser.

Within the warranty period, the defective parts or the product from Adam Hall will be repaired or replaced. Under the terms of this warranty, all the replaced or removed components become the property of Adam Hall.

In the unlikely event that a product acquired from Adam Hall, repeatedly exhibits a defect, Adam Hall may decide, at its discretion, to replace this product with a comparable product of at least the same performance.

Adam Hall does not guarantee that the operation of this product will be uninterrupted or error-free. Adam Hall accepts no responsibility for any damage due to incorrect compliance with the instructions received in the delivery.

This warranty does not extend to:

- wearing parts (eg battery, tubes).
 - devices that have had their serial number removed or damaged, or failed as a result of an accident
 - inappropriate or abusive use or other external causes
 - devices that were not used in accordance with the operating parameters defined in the user documentation shipped with the product
 - devices that have been repaired using parts not made or distributed by Adam Hall
 - devices that have been serviced, modified or repaired by someone other than Adam Hall or an authorised service partner.
- These terms and conditions constitute the complete and exclusive warranty agreement between you and Adam Hall regarding the Adam Hall branded product you have purchased.

This warranty is valid only within Europe. Outside of Europe please contact our official distributors.



MANUFACTURER'S DECLARATIONS:

ENGLISH

DEUTSCH

FRANÇAIS

ESPAÑOL

POLSKI

ITALIANO

LIMITATION OF LIABILITY

If your Adam Hall branded hardware product fails to work as warranted above, your sole and exclusive remedy shall be repair or replacement. Adam Halls' maximum liability under this limited warranty is expressly limited to the lesser of the price you have paid for the product or the cost of repair or replacement of any components that malfunction under conditions of normal use.

Adam Hall is not liable for any damages caused by the product or the failure of the product, including any lost profits or savings or special, incidental, or consequential damages. Adam Hall is not liable for any claim made by a third party or made by you for a third party.

This limitation of liability applies whether damages are sought, or claims are made, under this Limited Warranty or as a tort claim (including negligence and strict product liability), a contract claim, or any other claim, and cannot be rescinded or changed by anyone. This limitation of liability will be effective even if you have advised Adam Hall or an authorized representative of Adam Hall of the possibility of any such damages, but not, however, in the event of claims for damages in connection with personal injuries.

This manufacturer's warranty grants you specific rights; depending on jurisdiction (nation or state), you may be entitled to additional claims. You are advised to consult applicable state or national laws for a full determination of your rights.

REQUESTING WARRANTY SERVICE

To request warranty service for the product, contact Adam Hall or the Adam Hall authorized reseller from which you purchased the product.

EC DECLARATION OF CONFORMITY

The equipment marketed by Adam Hall complies (where applicable) with the essential requirements and other relevant specifications of Directives 1999/5/EC (R&TTE), 2004/108/EC (EMC) und 2006/95/EC (LVD). Additional information can be found at www.adamhall.com.

MANUFACTURER'S DECLARATIONS:

ENGLISH

DEUTSCH

FRANCAIS

ESPAÑOL

POLSKI

ITALIANO

PROPER DISPOSAL OF THIS PRODUCT

(Valid in the European Union and other European countries with waste separation)



This symbol on the product, or the documents accompanying the product, indicates that this appliance may not be treated as household waste. This is to avoid environmental damage or personal injury due to uncontrolled waste disposal. Please dispose of this product separately from other waste and have it recycled to promote sustainable economic activity.

Household users should contact either the retailer where they purchased this product, or their local government office, for details on where and how they can recycle this item in an environmentally friendly manner. Business users should contact their supplier and check the terms and conditions of the purchase contract. This product should not be mixed with other commercial wastes for disposal .

ENVIRONMENTAL PROTECTION AND ENERGY CONSERVATION

Energy conservation is an active contribution to environmental protection. Please turn off all unneeded electrical devices. To prevent unneeded devices from consuming power in standby mode, disconnect the mains plug.

Adam Hall GmbH, all rights reserved. The technical data and the functional product characteristics can be subject to modifications. The photocopying, the translation, and all other forms of copying of fragments or of the integrity of this user's manual is prohibited.



ENGLISH

DEUTSCH

FRANCAIS

ESPAÑOL

POLSKI

ITALIANO

Sie haben die richtige Wahl getroffen!

Dieses Gerät wurde unter hohen Qualitätsanforderungen entwickelt und gefertigt, um viele Jahre einen reibungslosen Betrieb zu gewährleisten. Dafür steht LD Systems mit seinem Namen und der langjährigen Erfahrung als Hersteller hochwertiger Audioprodukte.

Bitte lesen Sie diese Bedienungsanleitung sorgfältig, damit Sie Ihr neues Produkt von LD Systems schnell optimal einsetzen können.

Mehr Informationen zu LD SYSTEMS finden Sie auf unserer Internetseite WWW.LD-SYSTEMS.COM

LD WSEC02 / LD WSEC02X2

UHF WIRELESS SYSTEMS



ENGLISH

DEUTSCH

FRANCAIS

ESPAÑOL

POLSKI

ITALIANO

SICHERHEITSHINWEISE:

1. Lesen Sie diese Anleitung bitte sorgfältig durch.
2. Bewahren Sie alle Informationen und Anleitungen an einem sicheren Ort auf.
3. Befolgen Sie die Anweisungen.
4. Beachten Sie alle Warnhinweise. Entfernen Sie keine Sicherheitshinweise oder andere Informationen vom Gerät.
5. Verwenden Sie das Gerät nur in der vorgesehenen Art und Weise.
6. Verwenden Sie ausschließlich stabile und passende Stative bzw. Befestigungen (bei Festinstallationen). Stellen Sie sicher, dass Wandhalterungen ordnungsgemäß installiert und gesichert sind. Stellen Sie sicher, dass das Gerät sicher installiert ist und nicht herunterfallen kann.
7. Beachten Sie bei der Installation die für Ihr Land geltenden Sicherheitsvorschriften.
8. Installieren und betreiben Sie das Gerät nicht in der Nähe von Heizkörpern, Wärmespeichern, Öfen oder sonstigen Wärmequellen. Sorgen Sie dafür, dass das Gerät immer so installiert ist, dass es ausreichend gekühlt wird und nicht überhitzen kann. Direkte Sonneneinstrahlung vermeiden!
9. Platzieren Sie keine Zündquellen wie z.B. brennende Kerzen auf dem Gerät.
10. Lüftungsschlitze dürfen nicht blockiert werden.
11. Betreiben Sie das Gerät nicht in unmittelbarer Nähe von Wasser. Bringen Sie das Gerät nicht mit brennbaren Materialien, Flüssigkeiten oder Gasen in Berührung.
12. Sorgen Sie dafür, dass kein Tropf- oder Spritzwasser in das Gerät eindringen kann. Stellen Sie keine mit Flüssigkeit gefüllten Behältnisse wie Vasen oder Trinkgefäße auf das Gerät.
13. Sorgen Sie dafür, dass keine Gegenstände in das Gerät fallen können.
14. Betreiben Sie das Gerät nur mit dem vom Hersteller empfohlenen und vorgesehenen Zubehör.
15. Öffnen Sie das Gerät nicht und verändern Sie es nicht.
16. Überprüfen Sie nach dem Anschluss des Geräts alle Kabelwege, um Schäden oder Unfälle, z. B. durch Stolperfallen zu vermeiden.
17. Achten Sie beim Transport darauf, dass das Gerät nicht herunterfallen und dabei möglicherweise Sach- und Personenschäden verursachen kann.
18. Wenn Ihr Gerät nicht mehr ordnungsgemäß funktioniert, Flüssigkeiten oder Gegenstände in das Geräteinnere gelangt sind, oder das Gerät anderweitig beschädigt wurde, schalten Sie es sofort aus und trennen es von der Netzsteckdose (sofern es sich um ein aktives Gerät handelt). Dieses Gerät darf nur von autorisiertem Fachpersonal repariert werden.
19. Verwenden Sie zur Reinigung des Geräts ein trockenes Tuch.
20. Beachten Sie alle in Ihrem Land geltenden Entsorgungsgesetze. Trennen Sie bei der Entsorgung der Verpackung bitte Kunststoff und Papier bzw. Kartonagen voneinander.
21. Kunststoffbeutel müssen außer Reichweite von Kindern aufbewahrt werden.

BEI GERÄTEN MIT NETZANSCHLUSS:

22. **ACHTUNG:** Wenn das Netzkabel des Geräts mit einem Schutzkontakt ausgestattet ist, muss es an einer Steckdose mit Schutzleiter angeschlossen werden. Deaktivieren Sie niemals den Schutzleiter eines Netzkabels.
23. Schalten Sie das Gerät nicht sofort ein, wenn es starken Temperaturschwankungen ausgesetzt war (beispielsweise nach dem Transport). Feuchtigkeit und Kondensat könnten das Gerät beschädigen. Schalten Sie das Gerät erst ein, wenn es Raumtemperatur erreicht hat.
24. Bevor Sie das Gerät an die Steckdose anschließen, prüfen Sie zuerst, ob die Spannung und die Frequenz des Stromnetzes mit den auf dem Gerät angegebenen Werten übereinstimmen. Verfügt das Gerät über einen Spannungswahlschalter, schließen Sie das Gerät nur an die Steckdose an, wenn die Geräterwerte mit den Werten des Stromnetzes übereinstimmen. Wenn das mitgelieferte Netzkabel bzw. der mitgelieferte Netzadapter nicht in Ihre Netzsteckdose passt, wenden Sie sich an Ihren Elektriker.
25. Treten Sie nicht auf das Netzkabel. Sorgen Sie dafür, dass spannungsführende Kabel speziell an der Netz-

SICHERHEITSHINWEISE:

ENGLISH

DEUTSCH

FRANCAIS

ESPAÑOL

POLSKI

ITALIANO

buchse bzw. am Netzadapter und der Gerätebuchse nicht geknickt werden.

26. Achten Sie bei der Verkabelung des Geräts immer darauf, dass das Netzkabel bzw. der Netzadapter stets frei zugänglich ist. Trennen Sie das Gerät stets von der Stromzuführung, wenn das Gerät nicht benutzt wird, oder Sie das Gerät reinigen möchten. Ziehen Sie Netzkabel und Netzadapter immer am Stecker bzw. am Adapter und nicht am Kabel aus der Steckdose. Berühren Sie Netzkabel und Netzadapter niemals mit nassen Händen.

27. Schalten Sie das Gerät möglichst nicht schnell hintereinander ein und aus, da sonst die Lebensdauer des Geräts beeinträchtigt werden könnte.

28. WICHTIGER HINWEIS: Ersetzen Sie Sicherungen ausschließlich durch Sicherungen des gleichen Typs und Wertes. Sollte eine Sicherung wiederholt auslösen, wenden Sie sich bitte an ein autorisiertes Servicezentrum.

29. Um das Gerät vollständig vom Stromnetz zu trennen, entfernen Sie das Netzkabel bzw. den Netzadapter aus der Steckdose.

30. Wenn Ihr Gerät mit einem verriegelbaren Netzanschluss bestückt ist, muss der passende Gerätestecker entsperrt werden, bevor er entfernt werden kann. Das bedeutet aber auch, dass das Gerät durch ein Ziehen am Netzkabel verrutschen und herunterfallen kann, wodurch Personen verletzt werden und/oder andere Schäden auftreten können. Verlegen Sie Ihre Kabel daher immer sorgfältig.

31. Entfernen Sie Netzkabel und Netzadapter aus der Steckdose bei Gefahr eines Blitzschlags oder wenn Sie das Gerät länger nicht verwenden.



ACHTUNG:

Entfernen Sie niemals die Abdeckung, da sonst das Risiko eines elektrischen Schlages besteht. Im Inneren des Geräts befinden sich keine Teile, die vom Bediener repariert oder gewartet werden können. Lassen Sie Reparaturen ausschließlich von qualifiziertem Servicepersonal durchführen.



Das gleichschenkelige Dreieck mit Blitzsymbol warnt vor nichtisolierten, gefährlichen Spannungen im Geräteinneren, die einen elektrischen Schlag verursachen können.



Das gleichschenkelige Dreieck mit Ausrufungszeichen kennzeichnet wichtige Bedienungs- und Warnhinweise.

ACHTUNG HOHE LAUTSTÄRKEN BEI AUDIOPRODUKTEN!

Dieses Gerät ist für den professionellen Einsatz vorgesehen. Der kommerzielle Betrieb dieses Geräts unterliegt den jeweils gültigen nationalen Vorschriften und Richtlinien zur Unfallverhütung. Als Hersteller ist Adam Hall gesetzlich verpflichtet, Sie ausdrücklich auf mögliche Gesundheitsrisiken hinzuweisen.

Gehörschäden durch hohe Lautstärken und Dauerbelastung: Bei der Verwendung dieses Produkts können hohe Schalldruckpegel (SPL) erzeugt werden, die bei Künstlern, Mitarbeitern und Zuschauern zu irreparablen Gehörschäden führen können.



Um eine mögliche Schädigung des Hörsinns zu verhindern, vermeiden Sie das Hören bei großem Lautstärkepegel über lange Zeiträume.

Lauter Schalleinfluss kann selbst bei kurzer Dauer zu Hörschäden führen. Bitte halten Sie die Lautstärke immer auf einem angenehmen Level.

SYSTEMKOMPONENTEN WSEC02 SENDEANLAGEN:

ENGLISH

DEUTSCH

FRANCAIS

ESPAÑOL

POLSKI

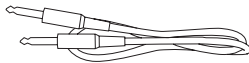
ITALIANO

Alle Sets beinhalten folgende Systemkomponenten:



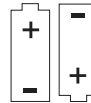
Empfänger

Audiokabel Klinke, 6,3 mm mono auf Klinke 6,3 mm mono



Netzteil

Batterien



Zusätzlich sind je nach Set weitere Komponenten enthalten:

LDWSEC02BPH - EC02 Set mit
Taschensender und Headset



Headset

Taschensender

LDWSEC02HHD - EC02 Set mit Handsender



Handsender mit dynamischer
Mikrofonkapsel

LDWSEC02BPG - EC02 Set mit
Taschensender und Gitarrenkabel

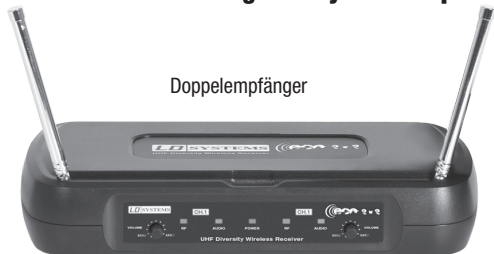


Gitarrenkabel

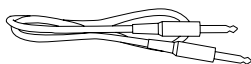
Taschensender

SYSTEMKOMPONENTEN WSEC02X2 SENDEANLAGEN:

Alle Sets beinhalten folgende Systemkomponenten:



Audiokabel Klinke 6,3 mm mono auf Klinke 6,3 mm mono



Batterien

Zusätzlich sind je nach Set weitere Komponenten enthalten:

LDWSEC02X2BPH - EC02X2 Set mit
2 x Taschensender + 2 x Headset

oder

LDWSEC02X2HHD - EC02X2 Set
mit 2 x Handsender



2 x Taschensender

2 x Handsender mit dynamischer
Mikrofonkapsel



2 x Headset

ENGLISH

DEUTSCH

FRANCAIS

ESPAÑOL

POLSKI

ITALIANO

ANSCHLÜSSE, BEDIEN- UND ANZEIGEELEMENTE:

ENGLISH

DEUTSCH

FRANCAIS

ESPAÑOL

POLSKI

ITALIANO

EC02 EMPFÄNGER



ANSCHLÜSSE, BEDIEN- UND ANZEIGEELEMENTE:

1 POWER-LED

Leuchtet, wenn das Gerät korrekt am Stromnetz angeschlossen ist (geeignetes Netzteil im Lieferumfang).

2 ANTENNEN-LEDS A / B

Zeigen an, ob Antenneneingang A bzw. B aktiv ist.

3 NORM-LED

Leuchtet auf, sobald ein Audio-Signal anliegt.

4 PEAK-LED

Leuchtet auf, sobald der Empfänger an der Verzerrungsgrenze betrieben wird. Um Verzerrungen zu vermeiden, reduzieren Sie den Signal-Pegel der Sendereinheit.

Handsender: GAIN-Regler mit geeignetem Werkzeug nach links drehen.

Taschensender: 3-stufiger Schalter MIC / 0dB / -10dB auf den nächstniedrigeren Wert stellen.

5 VOLUME

Lautstärkeregler des Empfängers. Nach links gedreht verringert sich, nach rechts gedreht erhöht sich die Lautstärke.

6 AF OUTPUT

Symmetrischer Line-Ausgang mit XLR-Buchse.

7 KLEINSPANNUNGSBUCHSE

Anschluss für die Spannungsversorgung des Geräts. Verwenden Sie bitte ausschließlich das im Lieferumfang enthaltene Netzteil.

8 MUTE LEVEL

ACHTUNG: Bevor Sie den Mute-Pegel verändern, stellen Sie zunächst die Lautstärke des angeschlossenen PA-Systems auf ein Minimum.

Die Mute-Funktion (Rauschunterdrückung / Squeelch) verhindert, dass bei ausgeschaltetem Sender Störgeräusche auftreten. Darüber hinaus werden auch plötzlich auftretende Störgeräusche unterdrückt, wenn das vom Sender an den Empfänger übertragene Signal nicht stark genug ist.

Stellen Sie den Mute-Pegel bei ausgeschaltetem Sender mit einem geeigneten Schraubendreher so ein, dass Nebengeräusche gerade noch wirksam unterdrückt werden (nach links gedreht wird die Rauschunterdrückung verringert, nach rechts gedreht verstärkt).

Bei der Einstellung mit starker Rauschunterdrückung kann sich die Übertragungreichweite unter ungünstigen Umständen verringern.

Der Mute Level-Regler steht im Auslieferungszustand auf Linksanschlag, die Rauschunterdrückung also auf minimaler Stärke. Diese Einstellung ist für den Großteil aller Anwendungen geeignet und Änderungen sind nur in seltenen Fällen erforderlich.

9 UNBAL OUTPUT

Unsymmetrischer Line-Ausgang mit 6,3 mm Klinkebuchse.

ANSCHLÜSSE, BEDIEN- UND ANZEIGEELEMENTE:

ENGLISH

DEUTSCH

FRANCAIS

ESPAÑOL

POLSKI

ITALIANO

EC02X2 EMPFÄNGER



ANSCHLÜSSE, BEDIEN- UND ANZEIGEELEMENTE:

1 POWER-LED

Leuchtet, wenn das Gerät korrekt am Stromnetz angeschlossen ist (geeignetes Netzteil im Lieferumfang).

2 RF-LED CH 1 / CH 2

Leuchtet, sobald ein Funksignal am Empfangsteil Kanal 1 (CH 1) bzw. Kanal 2 (CH 2) anliegt.

3 AUDIO-LED

Leuchtet auf, sobald ein Audio-Signal am Empfangsteil Kanal 1 (CH 1) bzw. Kanal 2 (CH 2) anliegt.

4 VOLUME CH 1 / CH 2

Lautstärkeregler für Empfangsteil Kanal 1 (CH 1) bzw. Kanal 2 (CH 2). Nach links gedreht verringert sich, nach rechts gedreht erhöht sich die Lautstärke.

5 AF OUTPUT CHANNEL 1 / CHANNEL 2

Symmetrischer Line-Ausgang mit XLR-Buchse Empfangsteil Kanal 1 (CH 1) bzw. Kanal 2 (CH 2).

6 MUTE LEVEL CHANNEL 1 / CHANNEL 2

Mute-Funktion für Empfangsteil Kanal 1 (CHANNEL 1) bzw. Kanal 2 (CHANNEL 2).

ACHTUNG: Bevor Sie den Mute-Pegel verändern, stellen Sie zunächst die Lautstärke des angeschlossenen PA-Systems auf ein Minimum.

Die Mute-Funktion (Rauschunterdrückung / Squelch) verhindert, dass bei ausgeschaltetem Sender Störgeräusche auftreten. Darüber hinaus werden auch plötzlich auftretende Störgeräusche unterdrückt, wenn das vom Sender an den Empfänger übertragene Signal nicht stark genug ist.

Stellen Sie den Mute-Pegel bei ausgeschaltetem Sender mit einem geeigneten Schraubendreher so ein, dass Nebengeräusche gerade noch wirksam unterdrückt werden (nach links gedreht wird die Rauschunterdrückung verringert, nach rechts gedreht verstärkt).

Bei der Einstellung mit starker Rauschunterdrückung kann sich die Übertragungsbereichweite unter ungünstigen Umständen verringern.

Der Mute Level-Regler steht im Auslieferungszustand auf Linksanschlag, die Rauschunterdrückung also auf minimaler Stärke. Diese Einstellung ist für den Großteil aller Anwendungen geeignet und Änderungen sind nur in seltenen Fällen erforderlich.

7 KLEINSPANNUNGSBUCHSE

Anschluss für die Spannungsversorgung des Geräts. Verwenden Sie bitte ausschließlich das im Lieferumfang enthaltene Netzteil.

8 2 IN 1 MIX UNBAL OUTPUT

Unsymmetrischer Line-Ausgang mit 6,3 mm Klinkenbuchse. Das anliegende Audio-Signal besteht aus einem Mix der Signale der Empfangskanäle 1 und 2 (CHANNEL 1 + CHANNEL 2). Das Lautstärkenverhältnis beider Kanäle kann mit Hilfe der Lautstärkeregler (Nr. 4) der Kanäle 1 und 2 eingestellt werden.

TASCHESENDELER:

ENGLISH

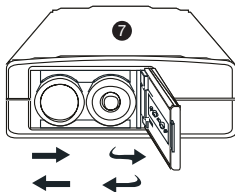
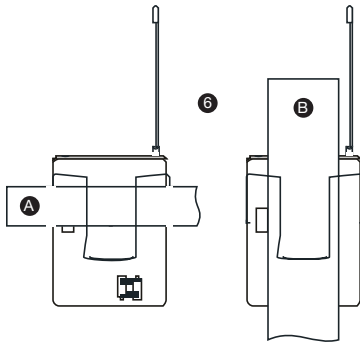
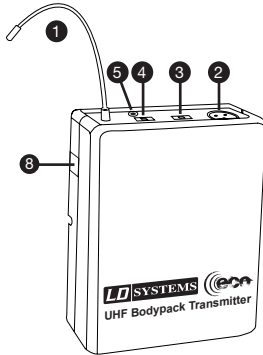
DEUTSCH

FRANCAIS

ESPAÑOL

POLSKI

ITALIANO



1 SENDERANTENNE

Um eine optimale Funkübertragung zu gewährleisten, berühren, knicken und verdecken Sie die Antenne nicht.

2 INPUT

3-poliger Mini-XLR Eingang für Headset-, Lavalier- und Instrumentenmikrofone sowie Gitarrenkabel. Eine Auflistung aller Modelle befindet sich in den Spezifikationen.

3 MIC / ODB / -10DB

Einstellung der Eingangsempfindlichkeit.
LDWSEC02: Stellen Sie die Empfindlichkeit so ein, dass bei anliegendem Signal (Sprache, Gesang, Gitarre...) die grüne Signal-LED (NORM) des Empfängers leuchtet. Sobald die rote PEAK-LED leuchtet, reduzieren Sie die Empfindlichkeit indem Sie den 3-stufigen Schalter MIC / OdB / -10dB auf den nächstniedrigeren Wert stellen, da andernfalls unerwünschte Verzerrungen auftreten können.

LDWSEC02X2: Stellen Sie den Pegel so ein, dass bei anliegendem Signal (Sprache, Gesang...) die grüne Signal-LED (AUDIO) des Empfängers leuchtet. Sobald das Audio-Signal beginnt zu verzerrern, reduzieren Sie die Empfindlichkeit indem Sie den 3-stufigen Schalter MIC / OdB / -10dB auf den nächstniedrigeren Wert stellen.

4 ON / STANDBY / OFF

Beim Einschalten des Senders (Schalter in Stellung STANDBY / ON) blinkt die rote LED für die Batteriestatus-Anzeige kurz auf und erlischt sofort wieder, wenn Batterien mit ausreichendem Ladestatus eingelegt sind. In Stellung STANDBY ist der Sender in Betrieb, das Audio-Signal aber stumm geschaltet.

5 BATTERIESTATUS-LED

Sobald die rote LED für die Batteriestatus-Anzeige leuchtet, ersetzen Sie bitte umgehend die Batterien.

6 BEFESTIGEN DES TASCHESENDELER

Befestigen Sie den Sender an einem Gürtel (Abbildung A) oder Gitarrengrurt (Abbildung B) wie nebenstehend abgebildet.

7 BATTERIEWECHSEL

Sobald die rote LED für die Batteriestatus-Anzeige leuchtet, ersetzen Sie bitte die Batterien, indem Sie den Batteriefachdeckel an der markierten Stelle (OPEN) herunterdrücken und zur Seite schieben.

Legen Sie zwei 1,5 V Alkaline Batterien der Größe AA (LR6, Mignon) gemäß der Abbildung auf der Senderrückseite ein und schließen das Batteriefach indem Sie die markierte Stelle (CLOSE) des Deckels herunterdrücken und ihn dann zur Seite schieben. Ist die Sendeanlage für längere Zeit nicht in Gebrauch, entnehmen Sie bitte die Batterien aus dem Batteriefach.

8 CHARGE

Kleinspannungsbuchse für 3,5 mm Hohlstecker zum Aufladen von Akkus der Größe AA (+ innen, - außen).

- Verwenden Sie ausschließlich ein für die von Ihnen verwendeten Akkus geeignetes Ladegerät und achten auf deren maximal zulässigen Ladezeit!

- Beachten Sie, dass im Batteriefach eingelegte Akkus in Reihe geschaltet sind!

- Versuchen Sie niemals nichtaufladbare Batterien aufzuladen!

Bei Nichteinhaltung obenstehender Hinweise besteht Brand- und Explosionsgefahr!

HANDESENDER:

ENGLISH

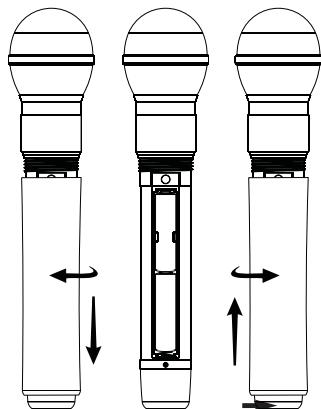
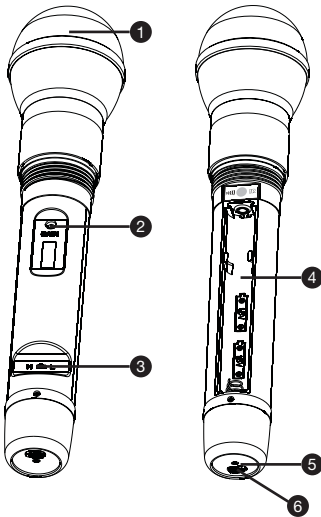
DEUTSCH

FRANCAIS

ESPAÑOL

POLSKI

ITALIANO



1 MIKROFONKOPF

Mit dynamischer Mikrofonkapsel.

2 GAIN

Einstellung der Mikrofonlautstärke. Nach links gedreht verringert sich, nach rechts gedreht erhöht sich der Signal-Pegel.

LDWSEC02: Stellen Sie den Pegel so ein, dass bei anliegendem Signal (Sprache, Gesang...) die grüne Signal-LED (NORM) des Empfängers leuchtet. Sobald die rote PEAK-LED leuchtet, reduzieren Sie den Pegel entsprechend, da andernfalls unerwünschte Verzerrungen auftreten können.

LDWSEC02X2: Stellen Sie den Pegel so ein, dass bei anliegendem Signal (Sprache, Gesang...) die grüne Signal-LED (AUDIO) des Empfängers leuchtet. Sobald das Audio-Signal beginnt zu verzerrern, reduzieren Sie den Pegel entsprechend.

3 RF POWER H/L

Für einen Großteil aller Anwendungen stellen Sie den Schalter auf H (= hohe Sendeleistung). Um die Batterielaufzeit zu erhöhen, kann bei Anwendungen, bei denen eine geringe Distanz zwischen Sender und Empfänger besteht, der Schalter auf L (= niedrige Sendeleistung) gestellt werden. Bitte vor Veranstaltung prüfen, ob die niedrige Sendeleistung ausreichend ist.

4 BATTERIEFACH

Legen Sie zwei 1,5 V Alkaline Batterien der Größe AA (LR6, Mignon) gemäß der Abbildung im Batteriefachboden ein. Ist die Sendeanlage für längere Zeit nicht in Gebrauch, entnehmen Sie bitte die Batterien aus dem Batteriefach.

5 BATT-LED

Sobald die rote LED für die Batteriestatus-Anzeige leuchtet, ersetzen Sie bitte umgehend die Batterien.

6 ON / OFF SCHALTER

Beim Einschalten des Senders blinkt die rote LED für die Batteriestatus-Anzeige kurz auf und erlischt sofort wieder, wenn Batterien mit ausreichendem Ladestatus eingelegt sind.

7 BATTERIEWECHSEL

Sobald die rote LED für die Batteriestatus-Anzeige leuchtet, ersetzen Sie bitte die Batterien, indem Sie die Batteriefachabdeckung gegen den Uhrzeigersinn vom Sender und nach dem Wechsel der Batterien wieder in entgegengesetzter Richtung auf den Sender schrauben.

OPTIMIERUNG DER FUNKÜBERTRAGUNG:

- Richten Sie den Sender direkt auf den Empfänger aus („Sichtkontakt“ zwischen den Geräten).
- Stellen Sie den Empfänger nicht in der Nähe metallener Objekte / Oberflächen oder digitaler Geräte (CD-Player, Computer etc.) auf.
- Positionieren Sie den Empfänger so, dass er sich nicht unmittelbar vor einer Wand und mindestens 1 m über dem Boden befindet.
- Mobiltelefone, bidirektionale Funkgeräte und ähnliches können die Funkverbindung zwischen Sender und Empfänger stören und sollten nicht in der Nähe der Sendeanlage betrieben werden.

ENGLISH

DEUTSCH

FRANCAIS

ESPAÑOL

POLSKI

ITALIANO

FEHLERSUCHE:

ENGLISH

DEUTSCH

FRANCAIS

ESPAÑOL

POLSKI

ITALIANO

PROBLEM	ANZEIGE	LÖSUNG
Kein Audiosignal oder zu niedriger Pegel	Empfänger ECO2: Weder Antenne A noch Antenne B LED leuchtet. Empfänger ECO2X2: RF LED leuchtet nicht.	Überprüfen Sie, ob der Sender eingeschaltet ist. Überprüfen Sie die Batterien des Senders.
	Empfänger: Power-LED leuchtet nicht Empfänger ECO2: Weder Antenne A noch Antenne B LED leuchtet. Empfänger ECO2X2: RF LED leuchtet nicht. Sender: Gerät ist eingeschaltet. Ladezustand der Batterien ist ok.	Überprüfen Sie die Stromversorgung Überprüfen Sie, ob Sender und Empfänger über die gleiche Funkfrequenz verfügen. Bringen Sie den GAIN-Schalter des Hand-senders in Stellung H (= hohe Sendeleistung). Verringern Sie den Abstand zwischen Sender und Empfänger. Stellen Sie sicher, dass zwischen Sender und Empfänger eine direkte Sichtverbindung besteht. Stellen Sie sicher, dass die Antennen des Empfängers nach oben und in V-Form ausgerichtet sind. Verringern Sie die Stärke der Rauschunterdrückung (MUTE LEVEL)
	Empfänger ECO2: Antenne A bzw. Antenne B LED leuchtet. Empfänger ECO2X2: RF LED leuchtet. Taschensender: Der ON / STANDBY / OFF-Schalter befindet sich in Stellung STANDBY.	Bringen Sie den ON / STANDBY / OFF-Schalter des Taschensenders in Stellung ON.
	Empfänger ECO2: Antenne A bzw. Antenne B LED leuchtet. Empfänger ECO2X2: RF LED leuchtet. Empfänger ECO2: Signal-LED NORM leuchtet bei anliegendem Audio-Signal nicht. Empfänger ECO2X2: Signal-LED AUDIO leuchtet bei anliegendem Audio-Signal nicht.	Erhöhen Sie den Signal-Pegel bzw. die Empfindlichkeit am Sender.
Verzerrungen und Störgeräusche	Empfänger: Funksignalanzeige leuchtet	Entfernen Sie mögliche Quellen für Interferenzen (Digitalgeräte, andere Funksysteme). Erhöhen Sie die Stärke der Rauschunterdrückung (MUTE LEVEL) am Empfänger.
Verzerrter Klang	Sender: Rote LED für die Batteriestatus-Anzeige leuchtet. Empfänger ECO2: Rote PEAK-LED des Empfängers leuchtet.	Ersetzen Sie die Batterien im Sender. Verringern Sie den Signal-Pegel bzw. die Empfindlichkeit am Sender.

SPEZIFIKATIONEN:

RECEIVER

Modellbezeichnung:	LDWSEC02R	LDWSEC02X2
Empfängertyp:	Diversity	Non Diversity
Modulation:	FM	
Frequenzbereich:	863,100 MHz - WSEC02R1 863,900 MHz - WSEC02R2 864,500 MHz - WSEC02R3 864,900 MHz - WSEC02R4	863,100 / 864,500 MHz - WSEC02X2R1 863,900 / 864,900 MHz - WSEC02X2R2
Anzahl Kanäle:	1	2
Antennenanschlüsse:	Integrierte Antenne	
Frequenzgang:	60 - 16.000 Hz	
Squelch:	Mute-Level	
Rauschabstand:	> 105 dB	
Symmetrische Ausgänge:	XLR	2 x XLR
Unsymmetrische Ausgänge:	6,3 mm Klinke	-
Unsymmetrischer Mix-Ausgang:	-	6,3 mm Klinke
Max. Audio-Ausgangspegel (symmetrisch):	-12 dBV	
Max. Audio-Ausgangspegel (unsymmetrisch):	-18 dBV	
Bedienelemente:	Lautstärke	2 x Volume-Regler
Anzeigeelemente:	Power, HF-Anzeige Antenne A/B, Audiosignal, Peak	Power, RF-Anzeige Kanal 1 / 2, Audiosignal Kanal 1 / 2
Betriebsspannung:	12 - 18 V DC, 300 mA	12 - 18 V DC, 300 mA
Temperaturbereich:	-10°C ... 45°C	
Relative Luftfeuchte während Betrieb:	25% ... 85%	
Abmessungen (B x H x T):	235 x 44 x 118 mm	
Gewicht:	0,4 kg	0,4 kg
Zubehör (im Lieferumfang):	Netzadapter, Audiokabel	Netzadapter, Audiokabel

ENGLISH

DEUTSCH

FRANCAIS

ESPAÑOL

POLSKI

ITALIANO

SPEZIFIKATIONEN:

HANDESENDER:

Modellbezeichnung:	LDWSEC02MD
Modulation:	FM
Frequenzbereich:	863,100 MHz - WSEC02MD1 863,900 MHz - WSEC02MD2 864,500 MHz - WSEC02MD3 864,900 MHz - WSEC02MD4
Anzahl Kanäle:	1
Mikrofontyp:	Mikrofon
Charakteristik:	Niere
Frequenzgang:	60 - 16.000 Hz
Sendeleistung:	10 mW
Bedienelemente:	Power On/Off, Gain, HF Power H / L
Anzeigeelemente:	Batteriestatus niedrig
Stromversorgung:	2 x AA-Batterien (Mignon-Zellen)
Betriebsdauer:	bis zu 10 h (je nach Batterietyp)
Temperaturbereich:	-10°C ... 45°C
Relative Luftfeuchte während Betrieb:	25% ... 85%
Abmessungen (L x Ø):	250 x 53 mm
Gewicht:	0,28 kg
Zubehör (im Lieferumfang):	2 x AA-Batterien (Mignon-Zellen)

SPEZIFIKATIONEN:

TASCHESENDER

Modellbezeichnung:	LDWSEC02BP
Modulation:	FM
Frequenzbereich:	863,100 MHz - WSEC02R1 863,900 MHz - WSEC02BP2 864,500 MHz - WSEC02BP3 864,900 MHz - WSEC02BP4
Anzahl Kanäle:	1
Eingänge:	3-Pol-Mini-XLR
Frequenzgang:	60 - 16.000 Hz
Sendeleistung:	10 mW
Bedienelemente:	On / Standby / Off, Triple-Gain-Schalter
Anzeigeelemente:	Batteriestatus niedrig
Stromversorgung:	2 AA-Batterien (Mignon-Zellen)
Betriebsdauer:	bis zu 10 h (je nach Batterietyp)
Temperaturbereich:	-10°C ... 45°C
Relative Luftfeuchte während Betrieb:	25% ... 85%
Abmessungen (B x H x T):	65 x 85 x 23 mm
Gewicht (ohne Batterien):	0,1 kg
Zubehör (im Lieferumfang):	2 x AA-Batterien (Mignon-Zellen)

ENGLISH

DEUTSCH

FRANCAIS

ESPAÑOL

POLSKI

ITALIANO

SPEZIFIKATIONEN:

MIKROFON

Modellbezeichnung:	LDWS100MH1	LDWS100MH3
Mikrofontyp:	Headset	Headset
Kapsel:	Back-Elektret-Kondensator	Back-Elektret-Kondensator
Charakteristik:	Niere	Niere
Frequenzgang:	20 - 20.000 Hz	70 - 16.000 Hz
Anschlüsse:	3-Pol-Mini-XLR	3-Pol-Mini-XLR
Zubehör (im Lieferumfang):	Windschutz aus Schaumstoff	Windschutz aus Schaumstoff
Features:	-	-
Modellbezeichnung:	LDHSAE1	LDWS100ML
Mikrofontyp:	Headset	Lavalier-Mikrofon
Kapsel:	Back-Elektret-Kondensator	Back-Elektret-Kondensator
Charakteristik:	bidirektional	Niere
Frequenzgang:	80 - 16.000 Hz	20 - 20.000 Hz
Anschlüsse:	3-Pol-Mini-XLR	3-Pol-Mini-XLR
Zubehör (im Lieferumfang):	Windschutz aus Schaumstoff	Windschutz aus Schaumstoff
Features:	wasserabweisend	-
Modellbezeichnung:	LDWS1000MW	LDHSM1
Mikrofontyp:	Blasinstrumentenmikrofon	Headset
Kapsel:	Back-Elektret-Kondensator	Back-Elektret-Kondensator
Charakteristik:	Niere	Rauschunterdrückung
Frequenzgang:	50 - 18.000 Hz	70 - 16.000 Hz
Anschlüsse:	3-Pol-Mini-XLR	3-Pol-Mini-XLR
Zubehör (im Lieferumfang):	Windschutz aus Schaumstoff	Windschutz aus Schaumstoff
Features:	-	wasserabweisend

GITARENKABEL

Modellbezeichnung:	LDWS100GC
Anschluss 1:	3-Pol-Mini-XLR
Anschluss 2:	6,3 mm Klinke
Länge:	1,5 m

HERSTELLERERKLÄRUNGEN:

ENGLISH

DEUTSCH

FRANCAIS

ESPAÑOL

POLSKI

ITALIANO

GARANTIEBESTIMMUNGEN

Diese Garantie erstreckt sich auf das von Ihnen erworbene Adam Hall Produkt der Marke LDSYSTEMS. Die gesetzlichen Gewährleistungsrechte gegenüber dem Verkäufer werden von dieser Garantie nicht berührt. Vielmehr begründet diese Garantie zusätzliche selbständige Ansprüche gegenüber Adam Hall.

Mit dieser Garantie stellt Adam Hall sicher, dass das von Ihnen bei Adam Hall oder einem Adam Hall Partner erworbene Produkt, bei normalem Gebrauch während des Zeitraums von 2 Jahren ab Kaufdatum frei von Material- oder Verarbeitungsfehlern ist. Der Garantiezeitraum beginnt mit dem Datum des Kaufs. Der Geltendmachung eines Anspruchs auf Garantieleistungen erforderliche Nachweis des Kaufdatums, erfolgt durch die mit dem Kaufdatum versehene Quittung oder den mit dem Kaufdatum versehenen Lieferschein. Sie haben Anspruch auf den Garantieservice zu den in diesem Dokument aufgeführten Bedingungen und Bestimmungen, falls eine Reparatur innerhalb des Garantiezeitraums erforderlich ist.

Diese Garantie gilt nur für den ursprünglichen Käufer des von Adam Hall vertriebenen Produkts und ist nicht an Personen übertragbar, denen vom ursprünglichen Käufer das Eigentum am Adam Hall Produkt übertragen wird. Innerhalb des Garantiezeitraums werden die fehlerhaften Komponenten oder das Produkt von Adam Hall repariert oder ersetzt. Alle im Rahmen dieser Garantie ausgetauschten bzw. entfernten Komponenten gehen in das Eigentum von Adam Hall über.

In dem unwahrscheinlichen Fall, dass bei dem von Ihnen erworbenen Adam Hall Produkt ein Fehler wiederholt auftritt, kann Adam Hall nach eigenem Ermessen entscheiden, Ihnen dieses Produkt durch ein vergleichbares Produkt mit mindestens derselben Leistung zu ersetzen.

Adam Hall übernimmt keine Garantie für einen störungs- oder fehlerfreien Betrieb dieses Produkts. Adam Hall übernimmt keine Verantwortung für Schäden die auf eine inkorrekte Befolgung der im Lieferumfang erhaltenen Anweisungen zurückzuführen sind.

Diese Garantie erstreckt sich nicht auf:

- Verschleißteile (z.B. Akkumulator, Röhren).
- Geräte deren Seriennummer entfernt wurde oder die beschädigt oder fehlerhaft wurden als Folge eines Unfalls
- nicht sachgerechter oder missbräuchlicher Verwendung oder anderer äußerer Ursachen
- Geräte die nicht entsprechend den Betriebsparametern betrieben wurden, die in den im Lieferumfang des Produkts enthaltenen Benutzerunterlagen festgelegt sind
- Geräte die aufgrund der Verwendung nicht von Adam Hall hergestellter oder vertriebener Teile repariert wurden
- Geräte die durch jemand anderen als Adam Hall oder durch einen autorisierten Servicepartner gewartet, geändert oder repariert wurden.

Diese Bestimmungen und Bedingungen stellen die vollständige und ausschließliche Garantievereinbarung zwischen Ihnen und Adam Hall für das von Ihnen erworbene Adam Hall Produkt dar.

Diese Garantie ist nur innerhalb von Europa gültig. Außerhalb von Europa wenden Sie sich bitte an unsere offiziellen Vertriebspartner.

HERSTELLERERKLÄRUNGEN:

HAFTUNGSBESCHRÄNKUNG

Falls an Hardware-Produkten von Adam Hall innerhalb der Garantiezeit Material- oder Verarbeitungsfehler (gemäß der Garantieerklärung oben) auftreten, besteht Ihr alleiniger und ausschließlicher Anspruch aus dieser Garantie in der Reparatur oder dem Austausch des Geräts. Die maximale Haftung der Firma Adam Hall ist entsprechend dieser Garantie ausdrücklich auf den Kaufpreis oder die Kosten für eine Reparatur oder Ersatz – und zwar den jeweils niedrigeren Betrag – der bei üblichem Gebrauch fehlerhaften Komponenten begrenzt.

Adam Hall ist nicht haftbar für jegliche durch das Produkt oder das Versagen des Produkts verursachte Schäden, einschließlich Gewinneinbußen und unterbliebener Einsparungen sowie besonderer, indirekter oder Folgeschäden. Des Weiteren ist Adam Hall nicht haftbar gegenüber Rechtsansprüchen Dritter oder durch Sie im Namen Dritter angemeldeten Forderungen.

Diese Haftungsbeschränkung gilt unabhängig davon, ob Schäden gerichtlich verfolgt oder Schadensersatzansprüche im Rahmen dieser Garantie oder aufgrund unerlaubter Handlungen (einschließlich Fahrlässigkeit und Gefährdungshaftung) oder aufgrund vertraglicher oder sonstiger Ansprüche gestellt werden, und kann von niemandem aufgehoben oder verändert werden. Diese Haftungsbeschränkung ist auch dann gültig, wenn Sie die Firma Adam Hall oder einen autorisierten Vertreter von Adam Hall auf die Möglichkeit solcher Schäden aufmerksam gemacht haben, nicht jedoch bei Schadensersatzansprüchen in Zusammenhang mit Personenschäden.

Diese Herstellergarantie räumt Ihnen bestimmte Rechte ein; je nach Gerichtsbarkeit (Staat oder Land) stehen Ihnen möglicherweise weitere Ansprüche zu. Es ist ratsam, in solchen Fällen die entsprechenden Gesetze heranzuziehen, um Ihre Rechte umfassend zu ermitteln.

INANSPRUCHNAHME DER GARANTIE

Wenden Sie sich im Garantiefall direkt an Adam Hall oder den von Adam Hall autorisierten Händler, bei dem Sie das Produkt erworben haben.

EG-KONFORMITÄTserklärung

Die von Adam Hall vertriebenen Geräte entsprechen (soweit zutreffend) den grundlegenden Anforderungen und weiteren relevanten Spezifikationen der Richtlinien 1999/5/EC (R&TTE), 2004/108/EC (EMC) und 2006/95/EC (LVD). Weitere Informationen finden Sie unter www.adamhall.com.

HERSTELLERERKLÄRUNGEN:

ENGLISH

DEUTSCH

FRANCAIS

ESPAÑOL

POLSKI

ITALIANO

KORREKTE ENTSORGUNG DIESES PRODUKTES

(Gültig in der Europäischen Union und anderen europäischen Ländern mit Mülltrennung)



Dieses Symbol auf dem Produkt oder dazugehörigen Dokumenten weist darauf hin, dass das Gerät am Ende der Produktlebenszeit nicht zusammen mit dem normalen Hausmüll entsorgt werden darf, um Umwelt- oder Personenschäden durch unkontrollierte Abfallentsorgung zu vermeiden. Bitte entsorgen Sie dieses Produkt getrennt von anderen Abfällen und führen es zur Förderung nachhaltiger Wirtschaftskreisläufe dem Recycling zu.

Als Privatkunde erhalten Sie Informationen zu umweltfreundlichen Entsorgungsmöglichkeiten über den Händler, bei dem das Produkt erworben wurde, oder über die entsprechenden regionalen Behörden.

Als gewerblicher Nutzer kontaktieren Sie bitte Ihren Lieferanten und prüfen die ggf. vertraglich vereinbarten Konditionen zur Entsorgung der Geräte. Dieses Produkt darf nicht zusammen mit anderen gewerblichen Abfällen entsorgt werden.

UMWELTSCHUTZ UND ENERGIESPAREN

Energiesparen ist ein aktiver Beitrag zum Umweltschutz. Schalten Sie bitte alle nicht benötigten elektrischen Geräte aus. Um zu verhindern, dass nicht benötigte Geräte im Standby-Modus Strom verbrauchen, ziehen Sie den Netzstecker.

Adam Hall GmbH, alle Rechte vorbehalten. Die technischen Daten und die funktionalen Produkteigenschaften können Änderungen und Irrtümer vorbehalten. Das Kopieren, die Übersetzung, und alle anderen Formen des Kopierens von Fragmenten oder der Vollständigkeit dieser Bedienungsanleitung ist untersagt.



ENGLISH

DEUTSCH

FRANCAIS

ESPAÑOL

POLSKI

ITALIANO

Vous avez fait le bon choix !

Cet appareil a été développé et fabriqué en appliquant des exigences de qualité très élevées : il garantit des années de fonctionnement sans problème. Grâce à de nombreuses années d'expérience, LD Systems est un nom connu dans le domaine des produits audio haut de gamme.

Veuillez lire attentivement ce Manuel Utilisateur : vous apprendrez rapidement à utiliser votre appareil LD Systems de façon optimale.

Pour plus d'informations sur LD Systems, visitez notre site Web, WWW.LD-SYSTEMS.COM

LD WSEC02 / LD WSEC02X2

UHF WIRELESS SYSTEMS



ENGLISH

DEUTSCH

FRANÇAIS

ESPAÑOL

POLSKI

ITALIANO

MESURES PRÉVENTIVES :

1. Veuillez lire attentivement ce manuel.
2. Rangez tous les documents d'information et d'instructions en lieu sûr.
3. Veuillez suivre toutes les instructions
4. Observez tous les messages d'avertissement N'enlevez pas de l'appareil les étiquettes de sécurité ou autres informations.
5. N'utilisez l'appareil que pour des applications et de la façon appropriées.
6. Utilisez exclusivement des pieds et des dispositifs de fixation stables et adaptés lorsque l'appareil est utilisé en installation fixe. Assurez-vous que les fixations murales ont été montées correctement, et qu'elles sont sécurisées. Vérifiez que l'appareil est installé en toute sécurité, et qu'il ne peut pas tomber.
7. Lors de l'installation, observez les réglementations de sécurité en vigueur dans votre pays.
8. N'installez et n'utilisez pas l'appareil à proximité de radiateurs, d'accumulateurs de chaleur, de fours ou de toute autre source de chaleur. Vérifiez que l'appareil est installé de façon à bénéficier en permanence d'un refroidissement efficace et qu'il ne peut pas chauffer de façon excessive. Éviter toute exposition directe aux rayons du soleil !
9. Ne placez aucune source de flamme sur l'appareil – par exemple, une bougie allumée.
10. Ne bloquez pas les orifices d'aération.
11. N'utilisez pas l'appareil à proximité immédiate d'eau (à moins qu'il ne s'agisse d'un appareil conçu pour une utilisation en extérieur – dans ce cas, respectez les instructions correspondantes ci après) Ne mettez pas l'appareil en contact avec des matériaux, des liquides ou des gaz inflammables.
12. Vérifiez qu'aucune projection ou liquide ne puisse s'introduire dans l'appareil. Ne posez sur l'appareil aucun objet renfermant du liquide : vase, verre d'eau...
13. Vérifiez qu'aucun petit objet ne puisse tomber à l'intérieur de l'appareil.
14. N'utilisez avec cet appareil que des accessoires recommandés et approuvés par le fabricant.
15. N'ouvrez pas l'appareil, et n'essayez pas de le modifier.
16. Lors du branchement de l'appareil, sécurisez le passage du câble secteur, afin d'éviter tout dommage ou accident, par exemple quelqu'un qui trébucher sur le câble.
17. Lors du transport, vérifiez que l'appareil ne peut tomber, ce qui pourrait provoquer des dommages matériels et/ou corporels.
18. Si votre appareil ne fonctionne plus correctement, que de l'eau ou des objets ont pénétré à l'intérieur, ou qu'il a été endommagé de quelque façon que ce soit, éteignez-le immédiatement et débranchez sa prise secteur (s'il s'agit d'un appareil alimenté). Cet appareil ne doit être réparé que par un personnel autorisé.
19. Pour le nettoyage de l'appareil, utilisez un chiffon sec/
20. Observez toutes les réglementations en vigueur dans votre pays pour mettre l'appareil au rebut. Lorsque vous jetez l'emballage de l'appareil, veuillez séparer plastique, papier et carton.
21. Les films plastique doivent être mis hors de portée des enfants.

APPAREILS RELIÉS AU SECTEUR :

22. ATTENTION : Si le câble de l'appareil est muni d'un fil de terre, il doit être relié à une prise murale avec terre. Ne désactivez jamais la mise à la terre d'un appareil.
23. N'allumez pas l'appareil immédiatement s'il a subi une grande différence de température ambiante (par exemple, lors du transport). L'humidité et la condensation pourraient l'endommager. Ne mettez l'appareil sous tension que lorsqu'il est parvenu à la température de la pièce.
24. Avant de relier l'appareil à la prise murale, vérifiez que la valeur et la fréquence de tension secteur sur laquelle il est réglé correspondent bien à la valeur et à la fréquence de la tension secteur locale. Si l'appareil possède un sélecteur de tension, ne le branchez sur la prise murale qu'après avoir vérifié que la valeur réglée correspond à la valeur effective de la tension secteur. Si la fiche du cordon secteur ou du bloc adaptateur livré avec votre appareil ne correspond pas au format de votre prise murale, veuillez consulter un électricien.
25. Ne piétinez pas le câble secteur. Assurez-vous que le câble secteur n'est pas trop pincé, notamment au niveau de l'arrière de l'appareil (ou de son adaptateur secteur) et de la prise murale.

SÉCURITÉ :

26. Lors du branchement de l'appareil, vérifiez que l'accès au câble secteur ou au bloc adaptateur reste facile. Sortez la fiche secteur de la prise murale dès que vous n'utilisez pas l'appareil pendant un certain temps, ou si vous désirez nettoyer l'appareil. Pour ce faire, tirez toujours sur la fiche elle-même, ou sur le bloc secteur lui-même ; ne tirez jamais sur le câble. Ne manipulez jamais le câble secteur ou l'adaptateur secteur avec des mains mouillées.
27. N'éteignez/rallumez pas l'appareil rapidement plusieurs fois de suite : vous risquez de réduire la longévité de ses composants internes.
28. CONSEIL IMPORTANT : Ne remplacez le fusible que par un fusible de même type et du même calibre. Si le fusible fond de façon répétée, veuillez consulter un centre de réparations agréé.
29. Pour séparer complètement l'appareil du secteur, débranchez le cordon secteur ou l'adaptateur de la prise murale.
30. Si votre appareil est muni d'un connecteur secteur verrouillable (Volex), il faut d'abord déverrouiller le mécanisme avant d'enlever le cordon secteur. Attention, lorsque vous retirez le câble secteur, à ne pas faire bouger l'appareil, ce qui pourrait se traduire par un risque de chute, de blesser quelqu'un, ou tout autre dommage. Manipulez toujours le cordon secteur avec soin.
31. Débranchez la fiche secteur ou l'adaptateur de la prise murale en cas d'orage, ou si vous n'utilisez pas l'appareil pendant une longue période.



ATTENTION :

Ne démontez jamais le couvercle de l'appareil, vous risquez de recevoir un choc électrique. L'appareil ne renferme aucune pièce ni composant réparable ou remplaçable par l'utilisateur. Ne confiez sa réparation qu'à un personnel technique qualifié.



Le pictogramme en forme de triangle équilatéral renfermant un éclair signale à l'utilisateur la présence à l'intérieur de l'appareil d'une tension dangereuse non protégée, suffisamment élevée pour présenter un risque pour les personnes.



Le pictogramme en forme de triangle équilatéral renfermant un point d'exclamation signale à l'utilisateur la présence d'instructions importantes concernant l'utilisation ou l'entretien de l'appareil.

ATTENTION NIVEAUX SONORES ÉLEVÉS SUR LES PRODUITS AUDIO

Cet appareil a été conçu en vue d'une utilisation professionnelle. L'utilisation commerciale de cet appareil est soumise aux réglementations et directives en vigueur dans votre pays en matière de prévention d'accident. En tant que fabricant, Adam Hall est tenu de vous avertir formellement des risques relatifs à la santé. Risques provoqués par une exposition prolongée à des niveaux sonores élevés : Lors de l'utilisation de ce produit, il est possible d'atteindre des niveaux de pression sonore (exprimés en dB SPL) élevés, susceptibles de provoquer des dommages auditifs irréparables chez les artistes, les techniciens et le public. Évitez toute exposition prolongée à des niveaux de pression sonore élevés (supérieurs à 90 dB SPL).



Pour éviter tout risque de traumatisme auditif, évitez d'écouter à fort volume sonore pendant de longues périodes.

Un niveau d'écoute trop élevé, même bref, peut provoquer des dommages aux oreilles. Veuillez maintenir le niveau d'écoute à un niveau raisonnable.

LISTE DES COMPOSANTS SYSTÈME HF WSEC02 :

Les ensembles possèdent tous les éléments communs suivants :



Récepteur HF

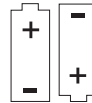
alimentation secteur



Câble audio, jack 6,35 mm mono vers jack 6,35 mm mono



Piles



Chaque ensemble possède de plus des éléments spécifiques, comme suit :

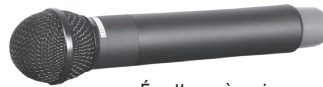
LDWSEC02BPH - Système EC02 avec émetteur de poche et serre-tête



Serre-tête

Émetteur de poche

LDWSEC02HHD - Système EC02 avec émetteur à main



Émetteurs à main avec capsule micro dynamique

LDWSEC02BPG - Système EC02 avec émetteur de poche et câble pour guitare



Câble Guitare

Émetteur de poche

LISTE DES COMPOSANTS SYSTÈME HF WSEC02X2 :

Les ensembles possèdent tous les éléments communs suivants :

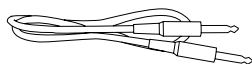


récepteur double

alimentation secteur



Câble audio, jack 6,35 mm mono vers jack 6,35 mm mono



Piles

Chaque ensemble possède de plus des éléments spécifiques, comme suit :

LDWSEC02X2BPH - Système EC02X2 avec 2 émetteurs de poche et 2 serre-tête

ou

LDWSEC02X2HHD - Système EC02X2 avec 2 émetteurs main



2 émetteurs de poche

2 émetteurs à main avec capsule micro dynamique



2 micros serre-tête

ENGLISH

DEUTSCH

FRANCAIS

ESPAÑOL

POLSKI

ITALIANO

CONNECTEURS, CONTRÔLES ET INDICATEURS :

ENGLISH

DEUTSCH

FRANCAIS

ESPAÑOL

POLSKI

ITALIANO

RÉCEPTEUR EC02



CONNECTEURS, CONTRÔLES ET INDICATEURS :

1 LED POWER

Cet indicateur s'allume lorsque l'appareil est correctement relié au secteur et sous tension.

2 LED ANTENNE A / B

Indique si l'antenne A ou B est active.

3 LED NORM

S'allume en présence d'un signal audio.

4 LED PEAK

S'allume dès que l'émetteur travaille en limite de distorsion. Pour éviter toute distorsion, réduisez le niveau du signal au niveau de l'émetteur.

Émetteur à main : Tourner le potentiomètre GAIN vers la gauche, avec un outil adéquat.

Émetteur de poche : Placer le sélecteur de sensibilité (MIC / 0dB / -10dB) sur une valeur plus appropriée.

5 VOLUME

Potentiomètre de réglage de volume du récepteur. Tournez le potentiomètre vers la droite pour augmenter le volume sonore, vers la gauche pour le baisser.

6 AF OUTPUT

Sortie audio symétrique au niveau ligne, sur connecteur XLR.

7 EMBASE ALIMENTATION

Reçoit l'alimentation extérieure de l'appareil. Veuillez n'utiliser que le bloc secteur livré.

8 MUTE LEVEL

ATTENTION : Avant de modifier la valeur de niveau de Mute, réduisez au minimum le volume sonore du système de sonorisation connecté.

La fonction Mute (dite aussi Squelch) est une sorte de noise gate HF : en coupant le son lorsque le niveau HF devient insuffisant, elle permet d'éviter tout bruit parasite en sortie du récepteur lorsque l'émetteur HF est coupé. Cette fonction supprime donc toute apparition brutale de salve de bruit blanc dans les enceintes lorsque le signal HF reçu n'est pas assez fort.

Affinez le réglage du niveau de Mute (Squelch) alors que l'émetteur est éteint, avec un petit tournevis, de façon à ce que le bruit parasite soit vraiment atténué (en tournant le potentiomètre vers la gauche, l'atténuation est plus faible ; vers la droite, elle est plus forte).

Attention : si vous réglez la sensibilité de Mute à un niveau trop élevé, vous réduisez la longueur de portée du micro HF, en coupant le signal même si la qualité de la liaison est bonne.

Le potentiomètre de réglage de Mute se trouve réglé à fond à gauche lors de la livraison de l'appareil.

L'atténuation de bruit de fond est donc minimale. Cette position convient dans la plupart des situations ; ne la modifiez que lors de situations bien précises.

9 UNBAL OUTPUT

Sortie ligne asymétrique sur jack 6,35 mm

ENGLISH

DEUTSCH

FRANCAIS

ESPAÑOL

POLSKI

ITALIANO

CONNECTEURS, CONTRÔLES ET INDICATEURS :

2 RÉCEPTEURS EC02



ENGLISH

DEUTSCH

FRANCAIS

ESPAÑOL

POLSKI

ITALIANO

CONNECTEURS, CONTRÔLES ET INDICATEURS :

1 LED POWER

Cet indicateur s'allume lorsque l'appareil est correctement relié au secteur et sous tension.

2 RF-LED CH 1 / CH 2

S'allume dès qu'un signal HF est reçu sur le canal 1 (CH1) ou sur le canal 2 (CH2).

3 LED AUDIO

S'allume dès qu'un signal audio est démodulé sur le canal 1 (CH1) ou sur le canal 2 (CH2).

4 VOLUME CH 1 / CH 2

Réglage de volume du signal reçu sur le canal 1 (CH1) ou sur le canal 2 (CH2). Tournez le potentiomètre vers la droite pour augmenter le volume sonore, vers la gauche pour le baisser.

5 AF OUTPUT CHANNEL 1 / CHANNEL 2

Sortie ligne symétrique sur XLR pour le canal 1 (CH1) et le canal 2 (CH2).

6 MUTE LEVEL CHANNEL 1 / CHANNEL 2

Fonction Mute (Squelch) pour le canal 1 et le canal 2 (CH2).

ATTENTION : Avant de modifier la valeur du niveau de Mute, réglez au minimum le son sur le système de sonorisation auquel est relié le récepteur.

La fonction Mute (dite aussi Squelch) est une sorte de noise gate HF : en coupant le son lorsque le niveau HF devient insuffisant, elle permet d'éviter tout bruit parasite en sortie du récepteur lorsque l'émetteur HF est coupé. Cette fonction supprime donc toute apparition brutale de salve de bruit blanc dans les enceintes lorsque le signal HF reçu n'est pas assez fort.

Affinez le réglage du niveau de Mute (Squelch) alors que l'émetteur est éteint, avec un petit tournevis, de façon à ce que le bruit parasite soit vraiment atténué (en tournant le potentiomètre vers la gauche, l'atténuation est plus faible ; vers la droite, elle est plus forte).

Attention : si vous réglez la sensibilité de Mute à un niveau trop élevé, vous réduisez la longueur de portée du micro HF, en coupant le signal même si la qualité de la liaison est bonne.

Le potentiomètre de réglage de Mute se trouve réglé à fond à gauche lors de la livraison de l'appareil.

L'atténuation de bruit de fond est donc minimale. Cette position convient dans la plupart des situations ; ne la modifiez que lors de situations bien précises.

7 EMBASE ALIMENTATION

Reçoit l'alimentation extérieure de l'appareil. Veuillez n'utiliser que le bloc secteur livré.

8 2 IN 1 MIX OUT

Sortie ligne asymétrique sur jack 6,35 mm Le signal audio de sortie correspond à un mixage des signaux de sortie des canaux 1 et 2 du récepteur (CHANNEL 1 + CHANNEL 2). Le dosage des deux canaux s'effectue avec les potentiomètres de niveau (n°4) des canaux 1 et 2.

ÉMETTEUR DE POCHE :

ENGLISH

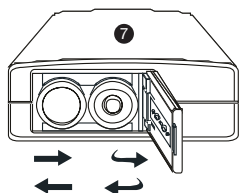
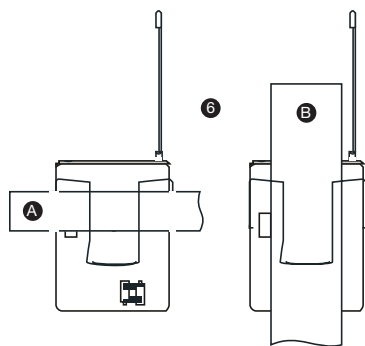
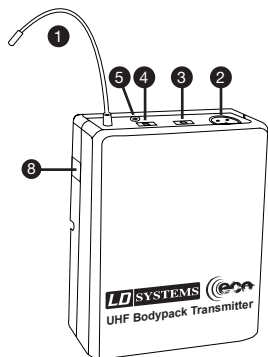
DEUTSCH

FRANCAIS

ESPAÑOL

POLSKI

ITALIANO



1 ANTENNE ÉMETTEUR

Pour garantir une réception optimale, ne touchez pas, ne gênez pas et ne masquez pas les antennes.

2 INPUT

Entrée sur mini-XLR 3 points pour serre-tête; micro cravate ou micro instrument, compatible câble guitare. Vous trouverez une liste de tous les modèles dans la section Caractéristiques.

3 MIC / ODB / -10DB

Réglage de la sensibilité d'entrée.
 LDWSECO2 : Réglez la sensibilité d'entrée de façon à ce que le signal d'entrée (voix, chant, guitare...) allume la LED de signal verte (NORM). Dès que la LED rouge (PEAK) s'allume, réduisez la sensibilité d'entrée via le sélecteur à 3 positions MIC / 0dB / -10dB ; vous risquez sinon de faire apparaître de la distorsion.
 LDWSECO2X2 : Réglez la sensibilité d'entrée de façon à ce que le signal d'entrée (voix, chant, guitare...) allume la LED de signal verte (NORM). Dès que la LED rouge (PEAK) s'allume, réduisez la sensibilité d'entrée via le sélecteur à 3 positions MIC / 0dB / -10dB ; vous risquez sinon de faire apparaître de la distorsion.

4 ON / STANDBY / OFF

Lors de l'allumage du récepteur (touche STANDBY / ON), la LED rouge clignote brièvement pour indiquer l'état des piles ; elle s'allume dès que le niveau des piles devient insuffisant. En position STANDBY, l'émetteur est actif, mais la sortie audio coupée.

5 LED D'ÉTAT DES PILES

Dès que l'indicateur d'état des piles s'allume en rouge, il faut remplacer les piles.

6 FIXATION DE L'ÉMETTEUR DE POCHE

Fixez l'émetteur à la ceinture (voir schéma A) ou sur la sangle de la guitare (schéma B) comme illustré ci-contre.

ÉMETTEUR DE POCHE:

7 REMPLACEMENT DES PILES

Dès que l'indicateur d'état des piles s'allume en rouge, il vaut mieux remplacer les piles. Pour ce faire, appuyez vers le bas le capot du compartiment sur la position OPEN, puis soulevez-le.

Placez alors deux piles alcalines 1,5 Volt de type AA (LR06, Mignon) conformément à la disposition indiquée sur l'arrière de l'émetteur, puis refermez le compartiment à piles, en faisant glisser vers la position CLOSE puis en appuyant.

Si l'émetteur ne servira pas pendant longtemps, enlevez les piles du compartiment.

8 CHARGE

Connecteur pour prise coaxiale 3,5 mm, pour charge des accumulateurs de type AA (+ au centre, - à l'extérieur).

- Utilisez exclusivement un chargeur conçu pour les accumulateurs, et veillez à ne pas dépasser la durée maximale de charge !
- Vérifiez que les accumulateurs sont correctement insérés dans le compartiment à piles.
- N'essayez jamais de recharger des piles non rechargeables !

Si vous ne respectez pas ces instructions il existe des risques réels d'incendie et d'explosion.

ENGLISH

DEUTSCH

FRANCAIS

ESPAÑOL

POLSKI

ITALIANO

ÉMETTEUR À MAIN :

ENGLISH

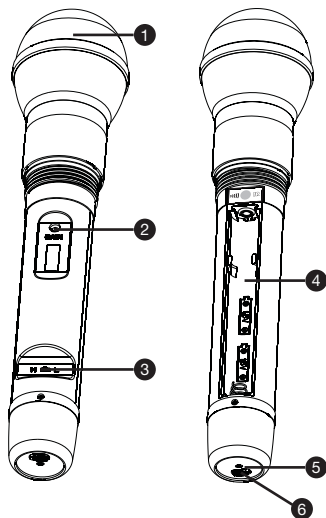
DEUTSCH

FRANCAIS

ESPAÑOL

POLSKI

ITALIANO



1 TÊTE MICROPHONE

avec capsule dynamique

2 GAIN

Réglage du volume du micro Tournez le potentiomètre vers la droite pour augmenter le volume sonore, vers la gauche pour le baisser.

LDWSEC02 : Réglez la sensibilité d'entrée de façon à ce que le signal d'entrée (voix, chant, guitare...) allume la LED de signal verte (NORM). Dès que la LED rouge (PEAK) s'allume, réduisez la sensibilité d'entrée via le sélecteur à 3 positions MIC / 0dB / -10dB ; vous risquez sinon de faire apparaître de la distorsion. LDWSEC02X2 : Réglez la sensibilité d'entrée de façon à ce que le signal d'entrée (voix, chant, guitare...) allume la LED de signal verte (NORM) du récepteur. Dès que vous commencez à percevoir de la distorsion, réduisez en conséquence le niveau du signal.

3 RF POWER H/L

Pour la plupart des applications, réglez le sélecteur en position H (haute puissance d'émission HF). Pour augmenter l'autonomie des piles, vous pouvez, si la distance séparant l'émetteur du récepteur est modérée, placer le sélecteur en position L (puissance d'émission HF réduite). Dans ce cas, vérifiez bien, avant la prestation, que la portée réduite est suffisante.

4 COMPARTIMENT PILES

Placez deux piles alcalines de type AA (LR06, Mignon) conformément aux indications figurant sur le fond du compartiment à piles. Si l'émetteur reste inutilisé pendant une longue période, mieux vaut enlever les piles du compartiment.

5 LED BATT

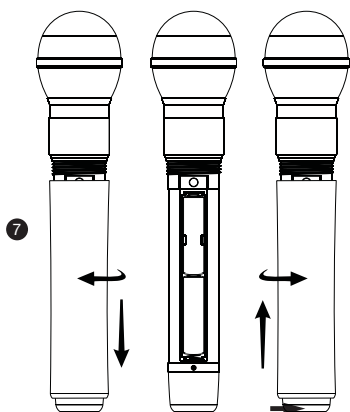
Dès que la LED d'état des piles s'allume en rouge, il faut remplacer les piles.

6 INTERRUPTEUR ON/OFF

Lors de l'allumage du récepteur (touche STANDBY / ON), la LED rouge clignote brièvement pour indiquer l'état des piles ; elle s'allume dès que le niveau des piles devient insuffisant.

7 REMPLACEMENT DES PILES

Dès que la LED rouge d'état des piles s'allume, veuillez remplacer les piles en dévissant le capot du compartiment à piles (sens inverse des aiguilles d'une montre) ; après remplacement, revissez-le dans le sens des aiguilles d'une montre.



OPTIMISATION DE LA PORTÉE:

- Orientez l'émetteur directement vers le récepteur (contact visuel entre les deux appareils).
- Ne placez pas le récepteur à proximité d'objets ou de surfaces métalliques, ni d'appareils numériques (lecteur de CD, ordinateur, etc.).
- Ne placez pas le récepteur à proximité directe d'un mur, et veillez à ce qu'il se trouve à au moins à 1 m au-dessus du sol.
- Les téléphones portables, les appareils mobiles bidirectionnels et autres sont susceptibles de perturber la liaison HF entre l'émetteur et le récepteur ; ne les utilisez donc pas à proximité de votre système HF.

ENGLISH

DEUTSCH

FRANCAIS

ESPAÑOL

POLSKI

ITALIANO

EN CAS DE PROBLÈME :

PROBLÈME	INDICATION	SOLUTION
Pas de signal audio, ou niveau très faible	Récepteur ECO2 : Aucune LED d'antenne allumée, ni A, ni B. Récepteur ECO2X2 : La LED RF ne s'allume pas.	Vérifiez si l'émetteur est allumé. Vérifiez les piles de l'émetteur.
	Récepteur : La LED Power ne s'allume pas.	Vérifiez l'alimentation.
	Récepteur ECO2 : Aucune LED d'antenne allumée, ni A, ni B. Récepteur ECO2X2 : La LED RF ne s'allume pas. Émetteur : L'appareil est allumé. L'état des piles est correct.	Vérifiez si l'émetteur et le récepteur utilisent la même fréquence HF. Placez le sélecteur GAIN de l'émetteur à main en position H (ce qui donnera une plus longue portée). Réduisez la distance séparant l'émetteur du récepteur. Vérifiez que l'émetteur et le récepteur se trouvent en contact visuel direct. Vérifiez que les antennes du récepteur sont orientées vers le haut et forment un V. Réduisez le seuil de Mute (Squelch).
	Récepteur ECO2 : La LED Antenne A ou Antenne B s'allume. Récepteur ECO2X2 : La LED RF s'allume. Émetteur de poche : Le sélecteur ON / STANDBY / OFF se trouve en position STANDBY .	Placez le sélecteur ON / STANDBY / OFF en position ON.
	Récepteur ECO2 : La LED Antenne A ou Antenne B s'allume. Récepteur ECO2X2 : La LED RF s'allume. Récepteur ECO2 : La LED de signal NORM ne s'allume pas en présence de signal. Récepteur ECO2X2 : La LED de signal AUDIO ne s'allume pas en présence de signal.	Augmentez le niveau du signal ou la sensibilité d'entrée au niveau de l'émetteur.
Distorsion et bruits parasites	Récepteur : La LED HF s'allume.	Éloignez les éventuelles sources d'interférences (appareils numériques, autres appareils HF). Augmentez la valeur de Mute (Squelch) sur le récepteur, pour atténuer plus tôt les interférences.
Distorsion sonore	Émetteur : La LED d'état des piles s'allume en rouge Récepteur ECO2 : La LED PEAK rouge du récepteur s'allume.	Remplacez les piles de l'émetteur. Réduisez le niveau du signal audio, en passant à une sensibilité inférieure sur l'émetteur.

CARACTÉRISTIQUES:

RÉCEPTEUR

Référence:	LDWSEC02R	LDWSEC02X2
Type de récepteur :	Diversity	non Diversity
Modulation:	FM	
Gamme de fréquences HF :	863,100 MHz - WSEC02R1 863,900 MHz - WSEC02R2 864,500 MHz - WSEC02R3 864,900 MHz - WSEC02R4	863,100 / 864,500 MHz - WSEC02X2R1 863,900 / 864,900 MHz - WSEC02X2R2
Nombre de canaux :	1	2
Connecteurs antenne :	Antenne fixe	
Réponse en Fréquence :	60 - 16000 Hz	
Squelch :	Niveau de Mute	
Rapport Signal/Bruit :	> 105 dB	
Sortie symétrique :	XLR	2 x XLR
Sortie asymétrique :	Jack 6,35 mm	-
Sortie Mix asymétrique :	-	Jack 6,35 mm
Niveau de sortie audio (symétrique)	-12 dBV	
Niveau de sortie audio (asymétrique)	-18 dBV	
Contrôles :	Volume	2 x Volume
Indicateurs :	Power, indicateur HF antenne A/B, signal audio, Peak	Power, indicateur RF canal 1 / 2, signal audio canal 1 / 2
Tension Alimentation :	12 - 18 V cont., 300 mA	12 - 18 V cont., 300 mA
Température de fonctionnement :	-10°C ... 45°C	
Taux d'hygrométrie relative en fonctionnement :	25% ... 85%	
Dimensions (L x H x P) :	235 x 44 x 118 mm	
Masse :	0,4 kg	0,4 kg
Accessoires livrés :	Bloc secteur, câble audio	Bloc secteur, câble audio

ENGLISH

DEUTSCH

FRANCAIS

ESPAÑOL

POLSKI

ITALIANO

CARACTÉRISTIQUES:

ÉMETTEUR À MAIN :

Référence:	LDWSEC02MD
Modulation:	FM
Gamme de fréquences HF :	863,100 MHz - WSEC02MD1 863,900 MHz - WSEC02MD2 864,500 MHz - WSEC02MD3 864,900 MHz - WSEC02MD4
Nombre de canaux :	1
Type de microphone :	dynamique
Directivité :	cardioïde
Réponse en Fréquence :	60 - 16000 Hz
Puissance de sortie HF :	10 mW
Contrôles :	Power on/off, potentiomètre de gain, sélecteur puissance HF H / L
Indicateurs :	Piles faibles
Alimentation :	2 piles AA
Autonomie :	jusqu'à 10 h, selon les piles
Température de fonctionnement :	-10°C ... 45°C
Taux d'humidité relatif :	25% ... 85%
Dimensions (L x Ø):	250 x 53 mm
Masse :	0,28 kg
Accessoires livrés :	2 piles AA

CARACTÉRISTIQUES:

ÉMETTEUR DE POCHE (BODYPACK)

Référence:	LDWSEC02BP
Modulation:	FM
Gamme de fréquences HF :	863,100 MHz - WSEC02BP1 863,900 MHz - WSEC02BP2 864,500 MHz - WSEC02BP3 864,900 MHz - WSEC02BP4
Nombre de canaux :	1
Entrée :	Mini-XLR 3 points
Réponse en Fréquence :	60 - 16000 Hz
Puissance de sortie HF :	10 mW
Contrôles :	On / Standby / Off, triple sélecteur de gain
Indicateurs :	Piles faibles
Alimentation :	2 piles LR06 (AA)
Autonomie :	jusqu'à 10 h, selon les piles
Température de fonctionnement :	-10°C ... 45°C
Taux d'humidité relatif :	25% ... 85%
Dimensions (L x H x P) :	65 x 85 x 23 mm
Poids (sans les piles)	0,1 kg
Accessoires livrés :	2 piles AA

ENGLISH

DEUTSCH

FRANCAIS

ESPAÑOL

POLSKI

ITALIANO

CARACTÉRISTIQUES:

MICROPHONE

Référence:	LDWS100MH1	LDWS100MH3
Type de microphone :	serre-tête	serre-tête
Capsule :	à électret (statique)	à électret (statique)
Directivité :	cardioïde	cardioïde
Réponse en Fréquence :	20 - 20000 Hz	70 - 16000 Hz
Connecteur :	Mini-XLR 3 points	Mini-XLR 3 points
Accessoires livrés :	Bonnette mousse	Bonnette mousse
Fonctionnalités :	-	-
Référence:	LDHSAE1	LDWS100ML
Type de microphone :	serre-tête	micro cravate
Capsule :	à électret (statique)	à électret (statique)
Directivité :	bidirectionnelle (en 8)	cardioïde
Réponse en Fréquence :	80 - 16000 Hz	20 - 20000 Hz
Connecteur :	Mini-XLR 3 points	Mini-XLR 3 points
Accessoires livrés :	Bonnette mousse	Bonnette mousse
Présentation :	Anti-humidité	-
Référence:	LDWS1000MW	LDHSM1
Type de microphone :	micro instrument pour vents	serre-tête
Capsule :	à électret (statique)	à électret (statique)
Directivité :	cardioïde	à atténuation de bruit
Réponse en Fréquence :	50 - 18000 Hz	70 - 16000 Hz
Connecteur :	Mini-XLR 3 points	Mini-XLR 3 points
Accessoires livrés :	Bonnette mousse	Bonnette mousse
Fonctionnalités :	-	Anti-humidité

CÂBLE GUITARE

Référence:	LDWS100GC
Connecteur 1 :	Mini-XLR 3 points
Connecteur 2 :	Jack 6,35 mm
Longueur câble :	1,5 m

DECLARATIONS DECLARATIONS :

ENGLISH

DEUTSCH

FRANCAIS

ESPAÑOL

POLSKI

ITALIANO

GARANTIE FABRICANT LIMITÉE

Cette garantie s'applique au produit Adam Hall de marque LD SYSTEMS que vous avez acheté. Les droits de garantie légaux à l'égard du vendeur ne sont pas remplacés par cette garantie. Cette garantie confère au contraire des droits supplémentaires distincts à l'égard d'Adam Hall.

Par cette garantie, Adam Hall assure une garantie de 2 ans à partir de la date d'achat du produit (auprès d'Adam Hall ou d'un de ses partenaires) contre tout défaut de pièce ou de fabrication, dans le cadre d'une utilisation normale. La période de garantie court à partir de la date d'achat. Pour faire valoir vos droits à la garantie, il faut justifier de la date d'achat, soit par une facture datée, soit par un bon de livraison daté. Vous êtes éligible aux droits relatifs à cette garantie, selon les termes et conditions mentionnés dans ce document, au cas où une réparation devrait intervenir dans le cadre de la garantie.

Cette garantie n'est valable que pour l'acheteur initial du produit Adam Hall ; elle n'est pas transférable à l'acheteur ultérieur du produit.

Tout au long de la période couverte par la garantie, les composants ou le produit défectueux Adam Hall seront réparés ou remplacés gratuitement. Tous les composants échangés dans le cadre de cette garantie restent la propriété de Adam Hall.

Dans le cas improbable où le produit Adam Hall que vous avez acheté présenterait une défaillance répétée Adam Hall peut décider, de son propre chef, de remplacer ce produit par un autre, identique ou comparable (au moins de la même puissance).

Adam Hall ne garantit pas que l'utilisation de ce produit ne sera sujette à aucune interruption ni défaillance. Adam Hall ne peut être tenu pour responsable de dommages consécutifs à une mauvaise observation des instructions d'utilisation contenues dans le manuel utilisateur.

Cette garantie ne s'applique pas dans les cas suivants :

- pièces d'usure (par exemple, accumulateur, lampe...)
- appareils dont le numéro de série a été supprimé, falsifié ou endommagé suite à un accident
- utilisation non appropriée ou abusive ou autres causes extérieures
- appareils utilisés non conformément aux paramètres d'utilisation normaux, mentionnés dans le manuel d'utilisation livré avec l'appareil.
- appareils utilisés non conformément aux paramètres d'utilisation normaux, mentionnés dans le manuel d'utilisation livré avec l'appareil.
- appareils modifiés ou réparés par un tiers autre qu'Adam Hall ou une structure de maintenance autorisée.

Ces termes et conditions constituent l'accord de garantie complet et exclusif entre vous et Adam Hall, relativement au produit de marque Adam Hall que vous avez acheté.

Cette garantie ne s'applique qu'en Europe. Hors Europe, veuillez vous adresser à notre représentant commercial officiel.

DECLARATIONS DECLARATIONS :

RESPONSABILITÉ LIMITÉE

Si votre appareil de marque Adam Hall présente, pendant la période de garantie, des défaillances au niveau des composants ou de la fabrication, couvertes par les conditions ci avant, le seul recours, exclusif, est sa réparation ou son remplacement au titre de cette garantie. Dans le cadre de cette garantie limitée, la responsabilité financière maximale d'Adam Hall est expressément limitée à la plus faible des deux sommes suivantes : prix d'achat payé pour le produit ou coût de réparation ou de remplacement de tout composant matériel ne fonctionnant pas correctement dans des conditions normales d'utilisation.

Adam Hall ne peut être tenu pour financièrement responsable de tout dommage causé par le produit ou sa défaillance – y compris toute perte de recettes ou de bénéfices, ni de tout dommage spécifique, incidentel ou consécutif. De plus, Adam Hall n'est pas responsable financièrement en cas de requête émanant d'une tierce partie ou de votre part pour le compte d'une tierce partie.

Cette limitation de responsabilité financière s'applique en cas de demande de dommages et intérêts ou de poursuites, dans le cadre de cette garantie limitée ou en cas de procédure (négligence et stricte responsabilité produit), de non-respect du contrat, ou de toute autre procédure. Cette limitation de responsabilité financière ne peut être annulée ou amendée par quiconque. Cette limitation de responsabilité financière s'applique même si vous avez prévenu Adam Hall ou tout représentant autorisé de Adam Hall de la possibilité de tels dommages. Toutefois, cette limitation de responsabilité financière ne s'applique pas en cas de blessures aux personnes.

Cette garantie fabricant limitée vous donne des droits légaux spécifiques. Vous pouvez également avoir d'autres droits, variables d'un état ou d'un pays à l'autre. Nous vous conseillons de vous reporter aux lois applicables dans votre état ou votre pays afin de déterminer l'étendue exacte de vos droits.

DEMANDE DE RÉPARATIONS SOUS GARANTIE

Pour demander des réparations sous garantie pour votre produit, veuillez contacter Adam Hall ou le revendeur agréé Adam Hall auprès de qui vous l'avez acheté.

DÉCLARATION DE CONFORMITÉ CE

Les appareils commercialisés par Adam Hall répondent (à la date actuelle) aux exigences et spécifications applicables des Directives 1999/5/EC (R&TTE), 2004/108/EC (EMC) et 2006/95/EC (LVD). Pour plus d'informations, référez-vous au site www.adamhall.com.

DECLARATIONS DECLARATIONS :

ENGLISH

DEUTSCH

FRANCAIS

ESPAÑOL

POLSKI

ITALIANO

MISE AU REBUT DE CE PRODUIT

(Applicable dans l'Union Européenne et les autres pays européens dotés de systèmes de collecte sélective)



La présence de ce logo sur le produit ou son manuel d'utilisation indique qu'en fin de vie, il ne doit pas être jeté avec les autres déchets domestiques. Afin d'éviter toute atteinte à l'environnement ou à la santé humaine pouvant résulter d'une gestion incontrôlée des déchets, veuillez assurer son recyclage de manière responsable. Séparez-le des autres types de déchets et recyclez-le, afin de promouvoir la réutilisation durable des ressources naturelles.

Nous conseillons aux utilisateurs non professionnels de contacter le revendeur chez qui ils ont acheté le produit, ou un représentant gouvernemental local, pour plus de détails sur le lieu de collecte et la façon de recycler cet appareil dans le meilleur respect de l'environnement possible..

Nous invitons les utilisateurs professionnels à contacter leur fournisseur et à vérifier les termes et conditions de leur contrat d'achat. Ce produit ne doit pas être mélangé à d'autres déchets commerciaux lors de la collecte.

PROTECTION DE L'ENVIRONNEMENT ET ÉCONOMIES D'ÉNERGIE

Économiser l'énergie constitue une contribution active efficace à la protection de l'environnement. Pensez à éteindre tout appareil électrique dès que vous ne vous en servez plus. Pour éviter que les appareils placés en mode de veille (Standby) ne continuent à consommer de l'électricité, débranchez-les de leur prise secteur.

Adam Hall GmbH, tous droits réservés. Les caractéristiques techniques et les fonctions disponibles sur le produit sont sujettes à modifications. La photocopie, la traduction et toute forme de copie, partielle ou intégrale, de ce manuel utilisateur sont interdites.



ENGLISH

DEUTSCH

FRANÇAIS

ESPAÑOL

POLSKI

ITALIANO

¡Gracias por elegir LD-Systems!

Este equipo está diseñado y fabricado con los estándares de calidad más exigentes, para garantizar un correcto funcionamiento durante muchos años. Los productos de LD-Systems se caracterizan por su gran calidad, avalada por el prestigio de la marca y una dilatada experiencia como fabricante.

Lea atentamente este manual de usuario para poder aprovechar rápidamente toda la funcionalidad de su nuevo producto de LD Systems.

Si desea obtener información sobre LD-SYSTEMS, visite nuestro sitio web WWW.LD-SYSTEMS.COM

LD WSEC02 / LD WSEC02X2

UHF WIRELESS SYSTEMS



ENGLISH

DEUTSCH

FRANCAIS

ESPAÑOL

POLSKI

ITALIANO

MEDIDAS DE SEGURIDAD:

1. Lea atentamente las instrucciones de este manual.
2. Guarde toda la información en un lugar seguro para futuras consultas.
3. Siga las instrucciones indicadas.
4. Siga todas las advertencias. No quite las instrucciones de seguridad ni cualquier otra información indicada en el equipo.
5. Utilice el equipo únicamente según la finalidad prevista.
6. Utilice solo soportes y fijaciones que sean robustos y adecuados cuando instale el equipo en instalaciones fijas. Asegúrese de que los soportes de pared están correctamente instalados y firmemente fijados. Asegúrese de que el equipo está sólidamente instalado y no se puede caer.
7. Al instalar el equipo, respete las normas de seguridad aplicables en su país.
8. Evite instalar el equipo cerca de radiadores, acumuladores de calor, estufas o cualquier otra fuente de calor. Asegúrese de que el equipo esté instalado en un lugar con ventilación suficiente para evitar cualquier sobrecalentamiento.
¡Evite la luz solar directa!
9. No coloque sobre el equipo fuentes de llamas sin protección, por ejemplo, velas encendidas.
10. Evite bloquear las rejillas de ventilación.
11. No utilice este equipo cerca del agua (excepto los equipos específicamente diseñados para uso en exterior, en cuyo caso tenga en cuenta las indicaciones mencionadas a continuación). No exponga este equipo a materiales, líquidos o gases inflamables.
12. Evite exponer el equipo a gotas o salpicaduras que puedan caer dentro del mismo. No coloque recipientes llenos de líquido, como floreros o vasos, sobre el equipo.
13. Asegúrese de no dejar caer ningún objeto dentro del equipo.
14. Emplee el equipo únicamente con los accesorios recomendados por el fabricante.
15. No abra el equipo ni intente modificarlo.
16. Una vez conectado el equipo, compruebe que en toda la longitud del cableado no hay peligro de que provoque una caída, por ejemplo.
17. Durante el transporte, asegúrese de que el equipo no se caiga y pueda causar daños personales o materiales.
18. Si el equipo no funciona correctamente, o si se ha vertido líquido sobre él, o si un objeto ha caído en su interior o si ha sufrido algún desperfecto, apague inmediatamente el equipo y desenchufe el cable eléctrico (si se trata de un equipo activo). Únicamente un técnico especialista debe reparar el equipo.
19. Para limpiar el equipo utilice un paño seco.
20. Procure seguir las normas vigentes en su país sobre reciclaje de desechos. Separe los componentes de plástico, papel y cartón del paquete para reciclarlos en sus contenedores respectivos.
21. No deje las bolsas de plástico al alcance de los niños.

PARA LOS EQUIPOS CON TOMA ELÉCTRICA:

22. ADVERTENCIA: Si el cable eléctrico está provisto de un contacto de protección, debe conectarse a una toma eléctrica con conexión a tierra. No desactivar nunca esta conexión de protección a tierra del cable eléctrico.
23. Si el equipo ha estado expuesto a un cambio brusco de temperatura (por ejemplo, después del transporte), no lo encienda inmediatamente. La condensación o la humedad podrían dañar el equipo. Deje que el equipo alcance la temperatura ambiente antes de encenderlo.
24. Antes de conectar el cable eléctrico a la toma de corriente, compruebe si la tensión y la frecuencia del suministro eléctrico coinciden con las especificaciones de este equipo. Si el equipo dispone de un selector de tensión, antes de enchufarlo a la red eléctrica, asegúrese de que el valor seleccionado coincide con la tensión de suministro. Si el enchufe o el adaptador de corriente no encajan en la toma eléctrica, consulte a un electricista.
25. Asegúrese de que el cable eléctrico no está pinzado. Evite que el cable resulte pellizcado, sobre todo en los extremos de conexión al equipo y en la toma eléctrica.

SEGURIDAD:

ENGLISH

DEUTSCH

FRANCAIS

ESPAÑOL

POLSKI

ITALIANO

26. Al conectar el equipo, asegúrese de que el cable eléctrico o el adaptador de corriente estén siempre accesibles. Desconecte el equipo de la toma de corriente cuando no esté en uso o antes de limpiarlo. Para ello, desconecte el cable eléctrico y el adaptador de corriente del conector del equipo en vez de desenchufar el cable de la toma eléctrica. No tocar el cable eléctrico ni el adaptador de corriente con las manos húmedas.

27. No encienda y apague el equipo en cortos intervalos de tiempo, ya que se reduce así la vida útil del sistema.

28. **NOTA IMPORTANTE:** Sustituya los fusibles únicamente por otros del mismo tipo y de las mismas características. Si el fusible se funde continuamente, póngase en contacto con un servicio técnico autorizado.

29. Para desconectar completamente el equipo de la tensión eléctrica, desenchufe el cable eléctrico o el adaptador de corriente de la toma eléctrica.

30. Si el equipo dispone de un enchufe eléctrico Volex, deberá desbloquearse el Volex del equipo para desenchufarlo. Esto implica que un tirón en el cable eléctrico puede desplazar el equipo y provocar daños personales o materiales. Por tanto, asegúrese de instalar los cables con sumo cuidado.

31. Si es probable que caiga un rayo por una tormenta eléctrica o si no va a emplear el equipo durante mucho tiempo, desenchufe el cable eléctrico y el adaptador de corriente.



ADVERTENCIA:

Para evitar el riesgo de descarga eléctrica, no retire la tapa. El equipo no contiene piezas que el usuario pueda reparar o sustituir. Para cualquier tarea de mantenimiento o reparación, acuda a un técnico cualificado.



El símbolo de rayo dentro de un triángulo equilátero advierte al usuario de la presencia de tensiones peligrosas sin aislamiento dentro del equipo que pueden causar una descarga eléctrica y suponer un riesgo para la salud.



El símbolo de exclamación dentro de un triángulo equilátero advierte al usuario de la existencia de importantes instrucciones de uso y mantenimiento.

ADVERTENCIA: ¡ALTO VOLUMEN!

Este equipo se destina a un uso profesional. Por consiguiente, si se aplica a un uso comercial, estará sujeto a las normas y reglamentos de la Asociación para la prevención de accidentes de su sector profesional. Como fabricante, Adam Hall tiene la obligación de informar formalmente a los usuarios de la existencia de posibles riesgos para la salud.

Daños auditivos por exposición prolongada a un nivel SPL alto: este equipo puede generar fácilmente un nivel de presión sonora (SPL) lo suficientemente elevado como para causar daños auditivos permanentes a los artistas, el personal de producción y el público. Deben tomarse precauciones para evitar la exposición prolongada a un SPL de más de 90 dB.



Para evitar posibles daños auditivos, evite la exposición a volúmenes altos durante un tiempo prolongado.

Un volumen alto, incluso durante un breve espacio de tiempo, puede provocar pérdida de audición. Mantenga siempre el volumen a un nivel que le resulte agradable.

COMPONENTES DEL SISTEMA WSEC02:

Cada set incluye los siguientes componentes:



Receptor

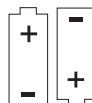
Cable de audio jack de 6,3 mm mono a jack de 6,3 mm mono



Adaptador de corriente



Pilas



Además, en función del set, podrán incluirse los siguientes componentes:

LDWSEC02BPH - Set ECO2 con petaca transmisora y micrófono de diadema



Micrófono de diadema

Petaca transmisora

LDWSEC02HHD - Set ECO2 con micrófono de mano



Micrófono dinámico de mano

LDWSEC02BPG - Set ECO2 con petaca transmisora y cable de guitarra



Cable de guitarra Petaca transmisora

COMPONENTES DEL SISTEMA WSEC02X2:

Cada set incluye los siguientes componentes:

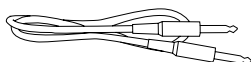


Receptor doble

Adaptador de corriente



Cable de audio jack de 6,3 mm mono a jack de 6,3 mm mono



Pilas

Además, en función del set, podrán incluirse los siguientes componentes:

LDWSEC02X2BPH - Set EC02X2 con
2 petacas transmisoras + 2 micrófonos de
diadema

o bien

LDWSEC02X2HHD - Set EC02X2
con 2 micrófonos de mano



2 petacas transmisoras

2 micrófonos dinámicos de mano



2 micrófonos de diadema

CONEXIONES, CONTROLES E INDICADORES:

ENGLISH

DEUTSCH

FRANCAIS

ESPAÑOL

POLSKI

ITALIANO

RECEPTOR EC02



CONEXIONES, CONTROLES E INDICADORES:

1 LED POWER

Se ilumina si el equipo está encendido y correctamente enchufado a la red eléctrica (adaptador de corriente suministrado).

2 LEDS DE ANTENAS A/B

Indican si la antena activa es la A o la B.

3 LED NORM

Se ilumina cuando se tiene una señal de audio.

4 LED PEAK

Se ilumina cuando el receptor está distorsionando la señal. Para eliminar esta distorsión, reduzca el nivel de señal del transmisor.

Micrófono de mano: gire a la izquierda el control GAIN con un trimador.

Petaca transmisora: sitúe el conmutador de 3 posiciones MIC/0dB/-10dB en la siguiente posición de menor valor.

5 VOLUME

Control de nivel del receptor. Gire la izquierda para disminuir el nivel, o a la derecha para aumentarlo.

6 AF OUTPUT (SALIDA DE AUDIO)

Salida de línea balanceada por XLR.

7 TOMA ELÉCTRICA PARA ADAPTADOR

Toma de alimentación eléctrica del equipo. Emplee únicamente el adaptador de corriente suministrado.

8 MUTE LEVEL

ATENCIÓN: Antes de cambiar el nivel del silenciador, ponga al mínimo el volumen del sistema de PA conectado.

La función Silenciador (cancelador de ruido, squelch o mute) evita ruidos del transmisor. Además, si la señal transmitida del transmisor al receptor no tiene un nivel suficiente se cancela el ruido de fritura.

Ajuste el nivel de silenciador de transmisor con un trimador hasta que desaparezca el ruido (gire a la izquierda para disminuir la cancelación de ruido, o a la derecha para aumentarla).

Si este ajuste de cancelación de ruido es demasiado elevado, es posible que en circunstancias desfavorables disminuya el alcance efectivo de transmisión.

De fábrica, este control está girado a la izquierda, por lo que apenas habrá cancelación de ruido. Este ajuste es adecuado para la mayoría de los casos y solo deberá cambiarlo en casos especiales.

9 UNBAL OUTPUT (SALIDA NO BALANCEADA)

Salida de línea no balanceada por jack de 6,3 mm.

ENGLISH

DEUTSCH

FRANCAIS

ESPAÑOL

POLSKI

ITALIANO

CONEXIONES, CONTROLES E INDICADORES:

ENGLISH

DEUTSCH

FRANCAIS

ESPAÑOL

POLSKI

ITALIANO

RECEPTOR EC02X2



CONEXIONES, CONTROLES E INDICADORES:

1 LED POWER

Se ilumina si el equipo está encendido y correctamente enchufado a la red eléctrica (adaptador de corriente suministrado).

2 LED RF (CH 1/CH 2)

Se ilumina cuando se recibe señal de RF en el canal 1 (CH 1) o en el canal 2 (CH 2) de recepción.

3 LED AUDIO

Se ilumina cuando se recibe señal de audio en el canal 1 (CH 1) o en el canal 2 (CH 2) de recepción.

4 VOLUME (CH 1/CH 2)

Control de nivel del canal 1 (CH 1) o del canal 2 (CH 2) de recepción. Gire la izquierda para disminuir el nivel, o a la derecha para aumentarlo.

5 CHANNEL1/CHANNEL 2 AF OUTPUT (SALIDA DE AUDIO DEL CANAL 1/2)

Salida de línea balanceada por XLR del canal 1 (CHANNEL 1) o del canal 2 (CHANNEL 2) de recepción.

6 CHANNEL1/CHANNEL 2 MUTE LEVEL

Control de nivel de silenciador del canal 1 (CHANNEL 1) o del canal 2 (CHANNEL 2).

ATENCIÓN: Antes de cambiar el nivel del silenciador, ponga al mínimo el volumen del sistema de PA conectado.

La función Silenciador (cancelador de ruido, squelch o mute) evita ruidos del transmisor. Además, si la señal transmitida del transmisor al receptor no tiene un nivel suficiente se cancela el ruido de fritura.

Ajuste el nivel de silenciador de transmisor con un trimador hasta que desaparezca el ruido (gire a la izquierda para disminuir la cancelación de ruido, o a la derecha para aumentarla).

Si este ajuste de cancelación de ruido es demasiado elevado, es posible que en circunstancias desfavorables disminuya el alcance efectivo de transmisión.

De fábrica, este control está girado a la izquierda, por lo que apenas habrá cancelación de ruido. Este ajuste es adecuado para la mayoría de los casos y solo deberá cambiarlo en casos especiales.

7 TOMA ELÉCTRICA PARA ADAPTADOR

Toma de alimentación eléctrica del equipo. Emplee únicamente el adaptador de corriente suministrado.

8 2 IN 1 MIX UNBAL OUTPUT (SALIDA NO BALANCEADA 2 EN 1)

Salida de línea no balanceada por jack de 6,3 mm. La señal de audio es la suma de las señales de los canales de recepción 1 y 2 (CHANNEL 1 + CHANNEL 2). La relación de nivel entre los dos canales se puede ajustar mediante los controles de nivel (4) de los canales 1 y 2.

PETACA TRANSMISORA:

ENGLISH

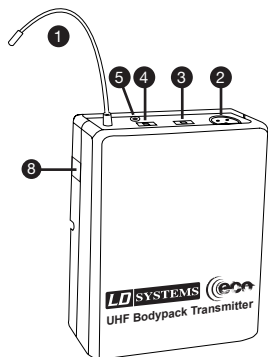
DEUTSCH

FRANCAIS

ESPAÑOL

POLSKI

ITALIANO



1 ANTENA TRANSMISORA

Para que la transmisión sea óptima, no toque, doble ni tape la antena.

2 INPUT

Entrada mini-XLR de 3 pines para un micrófono de diadema, Lavalier, de instrumento o un cable de guitarra. En la sección de Especificaciones se indican todos los modelos existentes.

3 MIC / 0dB / -10dB

Ajuste de la sensibilidad de entrada. LDWSEC02: Ajuste la sensibilidad de modo que cuando haya señal (voz, canto, guitarra...), se ilumine el LED de señal de audio (NORM) del receptor. Si se enciende el LED PEAK rojo, disminuya la sensibilidad bajando el conmutador de 3 posiciones MIC/0dB/-10dB al valor inmediatamente menor, para así evitar distorsiones.

LDWSEC02X2: Ajuste el nivel de modo que cuando haya señal (voz, canto...), se ilumine el LED de señal (AUDIO) del receptor. Si el sonido empieza a distorsionarse, disminuya la sensibilidad bajando el conmutador de 3 posiciones MIC/0dB/-10dB al valor inmediatamente menor.

4 ON/STANDBY/OFF (ENCENDIDO/EN ESPERA/APAGADO)

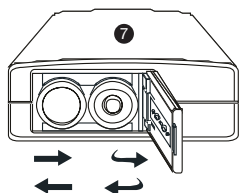
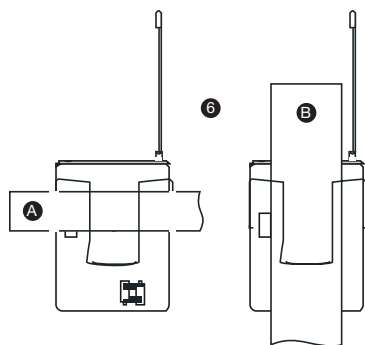
Con el transmisor encendido (conmutador en las posiciones ON o STANDBY), si el LED rojo de estado de las pilas parpadea, indicará que las pilas instaladas tienen un buen nivel de carga. En la posición STANDBY el transmisor está funcionando, pero sin señal de audio.

5 LED DE ESTADO DE LAS PILAS

Si se ilumina el LED rojo de nivel de las pilas, cambie inmediatamente las pilas.

6 USO DE LA PETACA TRANSMISORA

Cuelgue la petaca del cinturón (A) o de la cinta de la guitarra (B) como se muestra en la figura.



PETACA TRANSMISORA:

7 SUSTITUCIÓN DE LAS PILAS

Si se ilumina el LED rojo de estado de pilas, deberá cambiar las pilas. Para ello, presione la tapa del compartimento de pilas en la marca «OPEN» y deslícela hacia un lado.

Inserte dos pilas alcalinas de 1,5 V de tipo AA (LR6) en la parte posterior del transmisor (según la figura), cierre la tapa del compartimento de pilas presionando la marca «CLOSE» de la tapa y deslícela a su posición.

Si no va a usar el transmisor durante mucho tiempo, retire las pilas de su compartimento.

8 CARGA

Toma de continua para conector de 3,5 mm que sirve para cargar pilas de tipo AA (+ interno, - externo).

- Utilice sólo el cargador adecuado para las pilas utilizadas y ¡tenga en cuenta el tiempo máximo de carga!

- ¡Tenga en cuenta que las pilas instaladas en el compartimento están conectadas en serie!

- ¡No recargue pilas que no sean recargables!

¡Hay peligro de incendio y explosión!

ENGLISH

DEUTSCH

FRANCAIS

ESPAÑOL

POLSKI

ITALIANO

MICRÓFONO DE MANO:

ENGLISH

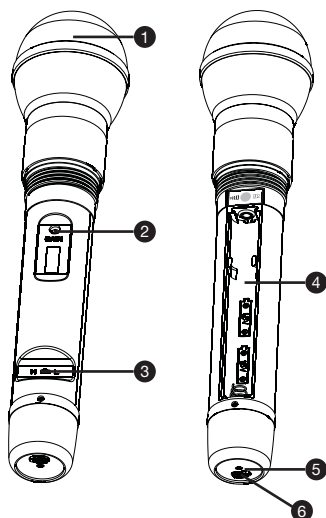
DEUTSCH

FRANÇAIS

ESPAÑOL

POLSKI

ITALIANO



1 CABEZA DEL MICRÓFONO

Con cápsula dinámica.

2 GAIN

Ajuste del nivel de micrófono. Gire a la izquierda para disminuir el nivel, o a la derecha para aumentarlo.

LDWSEC02: Ajuste el nivel de modo que cuando haya señal (voz, canto...), se ilumine el LED de señal de audio (NORM) del receptor. Si se enciende el LED PEAK rojo, disminuya el nivel y así evitará distorsiones.

LDWSEC02X2: Ajuste el nivel de modo que cuando haya señal (voz, canto...), se ilumine el LED de señal (AUDIO) del receptor. Si el sonido empieza a distorsionarse, disminuya el nivel.

3 NIVEL DE POTENCIA RF H/L

Para la mayoría de los casos, coloque el conmutador en la posición «H» (alta potencia). Para aumentar la autonomía de las pilas, cuando exista una pequeña distancia entre el transmisor y el receptor, puede cambiar el conmutador a «L» (baja potencia). Antes de utilizarlo en condiciones reales, compruebe que esta potencia reducida es suficiente.

4 COMPARTIMENTO DE PILAS

Inserte dos pilas de 1,5 V alcalinas de tipo AA (LR6) en el interior del compartimento de pilas, según indica la figura. Si no va a usar el transmisor durante mucho tiempo, retire las pilas de su compartimento.

5 LED BATT

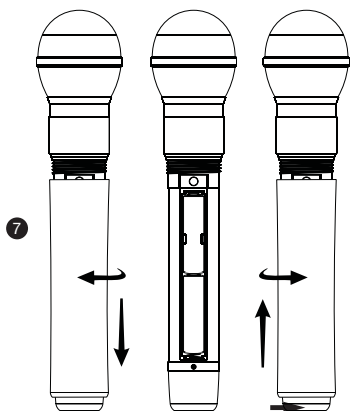
Si se ilumina el LED rojo de nivel de las pilas, cambie inmediatamente las pilas.

6 INTERRUPTOR DE ENCENDIDO

Con el transmisor encendido, si el LED rojo de estado de las pilas parpadea, indicará que las pilas instaladas tienen un buen nivel de carga.

7 SUSTITUCIÓN DE LAS PILAS

Si se ilumina el LED rojo de estado de pilas, deberá cambiar las pilas. Para ello, desenrosque la carcasa del compartimento de pilas del transmisor, sustituya las pilas y luego enrósquela en sentido horario.



OPTIMIZACIÓN DE LA TRANSMISIÓN POR RADIO:

- Apunte el transmisor directamente al receptor («línea directa» entre los dos equipos).
- No coloque el receptor cerca de objetos metálicos o dispositivos electrónicos, como reproductores de CD, ordenadores, etc.
- Coloque el receptor de modo que esté alejado de la pared y al menos 1 m por encima del suelo.
- Algunos dispositivos, como los teléfonos móviles o los equipos de radio bidireccionales, pueden causar interferencias entre el transmisor y el receptor, por lo que no se deben utilizar cerca del sistema.

ENGLISH

DEUTSCH

FRANCAIS

ESPAÑOL

POLSKI

ITALIANO

RESOLUCIÓN DE PROBLEMAS:

PROBLEMA	INDICACIONES	SOLUCIÓN
No hay audio o es demasiado bajo	Receptor ECO2: no se enciende ninguno de los LEDs de antena A/B. Receptor ECO2X2: no se enciende el LED RF.	Compruebe que está encendido el transmisor. Compruebe las pilas del transmisor.
	Receptor: no se enciende el LED POWER.	Compruebe el adaptador de corriente.
	Receptor ECO2: no se enciende ninguno de los LEDs de antena A/B. Receptor ECO2X2: no se enciende el LED RF. Transmisor: el equipo está encendido. Las pilas están bien cargadas.	Verifique que transmisor y receptor operan en la misma frecuencia de radio. Sitúe el conmutador GAIN del transmisor en la posición «H» (alta potencia). Disminuya la distancia entre el transmisor y el receptor. Asegúrese de que entre el transmisor y el receptor existe una línea directa sin obstáculos. Compruebe que las antenas del receptor están desplegadas hacia arriba y en forma de V. Disminuya el nivel de reducción de ruido (MUTE LEVEL).
	Receptor ECO2: los LEDs de las antenas A o B se iluminan. Receptor ECO2X2: se enciende el LED RF. Petaca transmisora: el conmutador ON/STANDBY/OFF está en la posición «STANDBY».	Sitúe el conmutador ON/STANDBY/OFF del transmisor en «ON».
	Receptor ECO2: los LEDs de las antenas A o B se iluminan. Receptor ECO2X2: se enciende el LED RF. Receptor ECO2: el LED NORM se enciende sin señal de audio. Receptor ECO2X2: el LED AUDIO se enciende sin señal de audio.	Suba el nivel de señal o la sensibilidad del transmisor.
Audio distorsionado y con ruido	Receptor: se encienden los indicadores de radio.	Elimine las posibles fuentes de interferencia (equipos digitales, otros sistemas inalámbricos). Suba el nivel de reducción de ruido (MUTE LEVEL) en el receptor.
Audio distorsionado	Transmisor: se enciende el LED rojo de estado de baterías. Receptor ECO2: se enciende el LED PEAK rojo del receptor.	Sustituya las baterías del transmisor. Baje el nivel de señal o la sensibilidad del transmisor.

CARACTERÍSTICAS TÉCNICAS:

RECEPTOR

Modelo:	LDWSEC02R	LDWSEC02X2
Tipo de receptor:	Diversity	No diversity
Modulación:	FM	
Banda de frecuencias:	863,100 MHz - WSEC02R1 863,900 MHz - WSEC02R2 864,500 MHz - WSEC02R3 864,900 MHz - WSEC02R4	863,100/864,500 MHz - WSEC02X2R1 863,900/864,900 MHz - WSEC02X2R2
Canales:	1	2
Conectores de antena:	Antena fija	
Respuesta en frecuencia:	60 a 16.000 Hz	
Silenciador (Squelch):	Nivel del silenciador	
Relación señal a ruido:	>105 dB	
Salida balanceada:	XLR	2 XLR
Salida no balanceada:	Jack de 6,3 mm	-
Salida no balanceada de mezcla:	-	Jack de 6,3 mm
Nivel de salida de audio (balanceado):	-12 dBV	
Nivel de salida de audio (no balanceado):	-18 dBV	
Controles:	Volumen	2 x Volumen
Indicadores:	Encendido, indicador RF de antena A/B, señal de audio, pico	Encendido, indicador RF de canal 1/2, canal de señal de audio 1/2
Tensión eléctrica:	12 a 18 VDC, 300 mA	12 a 18 VDC, 300 mA
Rango de temperatura operativa:	-10 °C a 45 °C	
Humedad relativa operativa:	25% a 85%	
Dimensiones (An x Al x F):	235 x 44 x 118 mm	
Peso:	0,4 kg	0,4 kg
Accesorios incluidos:	Adaptador de corriente, cable de audio	Adaptador de corriente, cable de audio

ENGLISH

DEUTSCH

FRANCAIS

ESPAÑOL

POLSKI

ITALIANO

CARACTERÍSTICAS TÉCNICAS:

MICRÓFONO DE MANO TRANSMISOR

Modelo:	LDWSEC02MD
Modulación:	FM
Banda de frecuencias:	863,100 MHz - WSEC02MD1 863,900 MHz - WSEC02MD2 864,500 MHz - WSEC02MD3 864,900 MHz - WSEC02MD4
Canales:	1
Tipo de micrófono:	Dinámico
Patrón polar:	Cardioide
Respuesta en frecuencia:	60 a 16.000 Hz
Potencia de salida RF:	10 mW
Controles:	Encendido, ganancia, potencia de transmisión alta/baja
Indicadores:	Batería baja
Alimentación eléctrica:	2 baterías de tipo AA
Autonomía:	Hasta 10 horas (en función de las baterías)
Rango de temperatura operativa:	-10 °C a 45 °C
Humedad relativa operativa:	25% a 85%
Dimensiones (L x Ø):	250 x 53 mm
Peso:	0,28 kg
Accesorios incluidos:	2 baterías de tipo AA

CARACTERÍSTICAS TÉCNICAS:

TRANSMISOR DE PETACA

Modelo:	LDWSEC02BP
Modulación:	FM
Banda de frecuencias:	863,100 MHz - WSEC02BP1 863,900 MHz - WSEC02BP2 864,500 MHz - WSEC02BP3 864,900 MHz - WSEC02BP4
Canales:	1
Entrada:	Mini XLR de 3 pines
Respuesta en frecuencia:	60 a 16.000 Hz
Potencia de salida RF:	10 mW
Controles:	Encendido/en espera/apagado, conmutador de 3 posiciones de ganancia
Indicadores:	Batería baja
Alimentación eléctrica:	2 baterías de tipo AA
Autonomía:	Hasta 10 horas (en función de las baterías)
Rango de temperatura operativa:	-10 °C a 45 °C
Humedad relativa operativa:	25% a 85%
Dimensiones (An x Al x F):	65 x 85 x 23 mm
Peso (sin baterías):	0,1 kg
Accesorios incluidos:	2 baterías de tipo AA

ENGLISH

DEUTSCH

FRANCAIS

ESPAÑOL

POLSKI

ITALIANO

CARACTERÍSTICAS TÉCNICAS:

MICRÓFONO

Modelo:	LDWS100MH1	LDWS100MH3
Tipo de micrófono:	Diadema	Diadema
Cápsula:	Condensador back electret	Condensador back electret
Patrón polar:	Cardioide	Cardioide
Respuesta en frecuencia:	20 a 20.000 Hz	70 a 16.000 Hz
Conector:	Mini XLR de 3 pines	Mini XLR de 3 pines
Accesorios incluidos:	Bola antiviento	Bola antiviento
Características:	-	-
Modelo:	LDHSAE1	LDWS100ML
Tipo de micrófono:	Diadema	Micrófono Lavalier
Cápsula:	Condensador back electret	Condensador back electret
Patrón polar:	Bidireccional	Cardioide
Respuesta en frecuencia:	80 a 16.000 Hz	20 a 20.000 Hz
Conector:	Mini XLR de 3 pines	Mini XLR de 3 pines
Accesorios incluidos:	Bola antiviento	Bola antiviento
Características:	Resistente al agua	-
Modelo:	LDWS1000MW	LDHSM1
Tipo de micrófono:	Micrófono de instrumento de viento	Diadema
Cápsula:	Condensador back electret	Condensador back electret
Patrón polar:	Cardioide	Reducción de ruido
Respuesta en frecuencia:	50 a 18.000 Hz	70 a 16.000 Hz
Conector:	Mini XLR de 3 pines	Mini XLR de 3 pines
Accesorios incluidos:	Bola antiviento	Bola antiviento
Características:	-	Resistente al agua

CABLE DE GUITARRA

Modelo:	LDWS100GC
Conector 1:	Mini XLR de 3 pines
Conector 2:	Jack de 6,3 mm
Longitud:	1,5 m

DECLARACIÓN DEL FABRICANTE:

ENGLISH

DEUTSCH

FRANCAIS

ESPAÑOL

POLSKI

ITALIANO

GARANTÍA DEL FABRICANTE

La presente garantía cubre el producto de la marca LDSYSTEMS que ha adquirido de Adam Hall. No afecta a los derechos de garantía legal de la que responde el vendedor. De hecho, le concede derechos adicionales ante Adam Hall, independientes de la garantía legal.

Por la presente, Adam Hall garantiza que el producto que ha adquirido de Adam Hall o de un partner de Adam Hall estará exento de defectos de material y fabricación, en condiciones normales de uso, durante un período de 2 años a partir de la fecha de compra. El período de garantía entra en vigor el día de la fecha de compra. Para ejercer su derecho a la garantía será necesario presentar un justificante de compra válido en el que figure la fecha de compra del producto, por ejemplo, la factura o el albarán de entrega. Si el producto adquirido necesitara una reparación dentro del período de garantía, usted tendrá derecho a obtener los servicios de garantía conforme a los términos y condiciones establecidos en este documento.

La presente garantía se aplica únicamente al comprador original del producto comercializado por Adam Hall y no es transferible a una tercera persona a la que el comprador original haya transferido la propiedad del producto Adam Hall.

Durante el periodo de garantía, Adam Hall se compromete a reparar o sustituir las piezas defectuosas o el producto en cuestión. Todos los componentes substituidos o retirados en el marco de la presente garantía pasarán a ser propiedad de Adam Hall.

En el caso improbable de que se produzca un fallo recurrente en el producto adquirido, Adam Hall, a su entera discreción, podrá optar por sustituir dicho producto defectuoso por otro de similares características.

Adam Hall no garantiza el funcionamiento ininterrumpido y sin fallos de este producto. Adam Hall no se hace responsable de los posibles daños ocasionados por no seguir las instrucciones de uso suministradas con el producto.

Esta garantía no cubre:

- los consumibles (baterías, válvulas, etc.)
- los productos cuyo número de serie ha sido borrado, o que han quedado dañados y defectuosos debido a un accidente
- los defectos ocasionados por un uso incorrecto o indebido, o cualquier otra causa ajena
- los equipos que no se utilizan conforme a los parámetros establecidos en la documentación suministrada con el producto
- los equipos que no fueron reparados con piezas fabricadas o distribuidas por Adam Hall
- los equipos cuyo mantenimiento, modificación o reparación no haya sido realizado por Adam Hall o uno de sus servicios técnicos autorizados

Estos términos y condiciones constituyen el acuerdo de garantía íntegro y exclusivo entre usted y Adam Hall en relación con el producto Adam Hall que acaba de adquirir.

Esta garantía sólo es válida dentro de Europa. Fuera de Europa deberá dirigirse a nuestros distribuidores oficiales.

DECLARACIÓN DEL FABRICANTE:

LIMITACIÓN DE RESPONSABILIDAD

Si durante el período de garantía aparecen defectos de material o de fabricación en su producto Adam Hall (de acuerdo con las garantías mencionadas en este documento), tendrá derecho exclusivamente a la reparación o sustitución del mismo. La responsabilidad máxima de Adam Hall en virtud de los términos de esta garantía está limitada al menor importe que resulte del precio de compra del producto, del coste de la reparación o la sustitución de las piezas que han dejado de funcionar en condiciones normales de uso.

Adam Hall no será responsable de ningún daño causado por el producto o por el mal funcionamiento del producto, incluidas la pérdida de beneficios, la pérdida de ahorros o cualquier consecuencia derivada de dichas pérdidas. Además, Adam Hall no se hará responsable de ninguna reclamación presentada por un tercero o por el comprador original en nombre de un tercero.

Esta limitación de responsabilidad se aplicará con independencia de que se solicite una indemnización por daños y perjuicios, o se presenten reclamaciones por negligencia, contractuales o de cualquier otra índole, y no podrá ser derogada o modificada. Esta limitación de responsabilidad será efectiva incluso en el caso de que el comprador hubiese avisado previamente a Adam Hall o a alguno de sus representantes de la posibilidad de reclamar daños y perjuicios. No obstante, esta limitación de responsabilidad no tendrá efecto en caso de reclamación por daños personales.

Esta garantía limitada le otorga derechos legales específicos. Puede que posea derechos adicionales conforme a la legislación del país o Estado en el que se encuentre. Le recomendamos que consulte la legislación vigente en su país o Estado para conocer el alcance de sus derechos.

APLICACIÓN DE LA GARANTÍA

Para solicitar asistencia técnica en relación con el producto en garantía, póngase en contacto con Adam Hall o con el distribuidor autorizado donde adquirió el producto.

DECLARACIÓN CE DE CONFORMIDAD

Los productos distribuidos por Adam Hall cumplen (según proceda) los requisitos esenciales de las Directivas europeas 1999/5/CE (Equipos radioeléctricos y equipos terminales de telecomunicación, R&TTE), 2004/108/CE (Compatibilidad Electromagnética) y 2006/95/CE (Baja Tensión), así como las correspondientes cláusulas adicionales. Para más información consulte www.adamhall.com.

DECLARACIÓN DEL FABRICANTE:

ELIMINACIÓN CORRECTA DE ESTE PRODUCTO

(Aplicable en la Unión Europea y en los países europeos que dispongan de un sistema de recogida selectiva)



El símbolo que aparece sobre el producto o en la documentación adjunta indica que al final de la vida útil del equipo, no deberá desecharlo con los demás residuos domésticos, con el fin de evitar posibles efectos negativos en el medio ambiente y en la salud humana debidos al vertido incontrolado de desechos. La recogida selectiva ayuda a su posterior reciclaje y fomenta la reutilización sostenible de los componentes de este equipo.

Si es un particular, póngase en contacto con el distribuidor donde adquirió este producto, o con el ayuntamiento, para informarse sobre el reciclaje adecuado de este equipo.

Si es una empresa, póngase en contacto con su proveedor para informarse sobre los términos y condiciones de su contrato de compra-venta. Este producto no debe mezclarse con otros residuos industriales.

PROTECCIÓN MEDIOAMBIENTAL Y AHORRO ENERGÉTICO

Ahorre energía eléctrica para proteger el medio ambiente. Para ello, apague todos los aparatos eléctricos cuando no estén en uso. Además, para evitar el consumo de energía en modo En espera, desenchufe todo aparato eléctrico de la toma de corriente cuando no esté en uso.

ENGLISH

DEUTSCH

FRANCAIS

ESPAÑOL

POLSKI

ITALIANO

Adam Hall GmbH. Todos los derechos reservados. Los datos técnicos y las características funcionales del producto están sujetos a modificaciones. Se prohíbe la fotocopia, traducción y cualquier otra forma de reproducción parcial o total de este manual de usuario.



ENGLISH

DEUTSCH

FRANCAIS

ESPAÑOL

POLSKI

ITALIANO

Gratulujemy wyboru!

To urządzenie zostało zaprojektowane i wyprodukowane przy zastosowaniu najwyższych kryteriów jakościowych w celu zapewnienia wieloletniej bezawaryjnej eksploatacji. Firma LD Systems gwarantuje to swoją marką i wieloletnim doświadczeniem w wytwarzaniu wysokiej jakości produktów audio.

Proszę starannie przeczytać niniejszą instrukcję obsługi, aby móc jak najszybciej zacząć użytkować ten produkt marki LD Systems.

Dalsze informacje na temat firmy LD SYSTEMS dostępne są na naszej stronie internetowej WWW.LD-SYSTEMS.COM

LD WSEC02 / LD WSEC02X2

UHF WIRELESS SYSTEMS



ENGLISH

DEUTSCH

FRANCAIS

ESPAÑOL

POLSKI

ITALIANO

ŚRODKI OSTROŻNOŚCI:

1. Należy dokładnie przeczytać niniejszą instrukcję.
2. Wszystkie informacje i instrukcje przechowywać w bezpiecznym miejscu.
3. Należy przestrzegać zaleceń.
4. Należy przestrzegać wszystkich wskazówek ostrzegawczych. Nie wolno usuwać wskazówek bezpieczeństwa ani innych informacji znajdujących się na urządzeniu.
5. Używać urządzenia wyłącznie w sposób zgodny z jego przeznaczeniem.
6. Stosować wyłącznie stabilne i pasujące statywy, ew. elementy mocujące (w przypadku instalacji stałych).
7. Należy zadbać o prawidłową instalację uchwytów ściennych i ich odpowiednie zabezpieczenie. Zapewnić bezpieczną instalację urządzenia i upewnić się, że urządzenie nie spadnie.
8. Podczas instalacji przestrzegać obowiązujących w danym kraju przepisów bezpieczeństwa.
9. Urządzenie instalować i eksploatować z dala od grzejników, zasobników ciepła, pieców i innych źródeł ciepła. Zadbać o zainstalowanie urządzenia w taki sposób, aby zawsze było ono wystarczająco chłodzone i nie mogło ulec przegrzaniu. Unikać bezpośredniego działania promieni słonecznych!
10. Nie umieszczać na urządzeniu źródeł zapłonu, takich jak np. palące się świece.
11. Nie wolno blokować szczelin wentylacyjnych.
12. Nie używać urządzenia w bezpośrednim sąsiedztwie wody (nie dotyczy specjalnych urządzeń do stosowania na zewnątrz – w takim przypadku należy przestrzegać podanych poniżej wskazówek specjalnych). Urządzenie nie może mieć kontaktu z palnymi materiałami, płynami ani gazami.
13. Zabezpieczyć urządzenie przed wniknięciem kapiącej lub przyskającej wody. Nie wolno stawiać na urządzeniu pojemników napełnionych płynami, takich jak wazonny czy naczynia z piciem.
14. Należy zadbać o to, aby do urządzenia nie wpadały żadne przedmioty.
15. Urządzenie można eksploatować tylko przy użyciu akcesoriów zalecanych i przewidzianych przez producenta.
16. Nie otwierać urządzenia ani nie dokonywać w nim zmian.
17. Po podłączeniu urządzenia sprawdzić wszystkie ciągi kablowe, aby zapobiec szkodom lub wypadkom np. w wyniku potknięcia.
18. Podczas transportu zadbać o to, aby urządzenie nie upadło, gdyż może to spowodować uszkodzenie mienia i obrażenia ciała.
19. Jeśli urządzenie nie działa prawidłowo, do jego wnętrza dostały się płyny lub przedmioty lub jeśli urządzenie zostało uszkodzone w inny sposób, należy je natychmiast wyłączyć i odłączyć od gniazda sieciowego (jeśli urządzenie jest aktywne). Naprawę takiego urządzenia może wykonać tylko autoryzowany personel specjalistyczny.
20. Do czyszczenia urządzenia stosować suchą ściereczkę.
21. Przestrzegać obowiązujących w danym kraju przepisów dotyczących usuwania odpadów. Podczas utylizacji opakowania oddzielić tworzywo sztuczne od papieru i tektury.
22. Worki z tworzywa sztucznego należy przechowywać w miejscu niedostępnym dla dzieci.

DOTYCZY URZĄDZEŃ Z ZASILANIEM SIECIOWYM:

22. UWAGA: jeśli kabel sieciowy urządzenia jest wyposażony w zestyk ochronny, należy go podłączyć do gniazda z przewodem uziemiającym. Nigdy nie wolno dezaktywować przewodu uziemiającego kabla sieciowego.
23. Nie włączać urządzenia bezpośrednio po narażeniu go na silne wahania temperatury (np. po transporcie). Wilgoć i skropliny mogą uszkodzić urządzenie. Włączyć urządzenie dopiero wtedy, gdy osiągnięte temperaturę pokojową.
24. Przed podłączeniem urządzenia do gniazda elektrycznego należy sprawdzić, czy napięcie i częstotliwość sieci elektrycznej odpowiada wartościom podanym na urządzeniu. Jeśli urządzenie jest wyposażone w przełącznik napięcia, należy podłączyć je do gniazda tylko wówczas, gdy wartości urządzenia odpowiadają wartościom sieci elektrycznej. Jeśli dołączony kabel sieciowy lub dołączony adapter sieciowy nie pasuje do gniazda elektrycznego, należy skontaktować się z elektrykiem.

BEZPIECZEŃSTWO:

ENGLISH

DEUTSCH

FRANCAIS

ESPAÑOL

POLSKI

ITALIANO

25. Nie stawać na kablu sieciowym. Należy zadbać o to, aby kable przewodzące napięcie nie były zagięte przy gnieździe sieciowym, przy adapterze sieciowym ani przy gnieździe urządzenia.
26. Przy podłączaniu urządzenia zawsze należy zadbać o to, aby kabel sieciowy lub adapter sieciowy był zawsze łatwo dostępny. Odłączyć urządzenie od źródła zasilania, gdy nie jest ono używane lub gdy ma zostać poddane czyszczeniu. Zawsze należy wyjmować kabel sieciowy i adapter sieciowy z gniazda, chwytając za wtyczkę lub adapter, a nie za kabel. Nigdy nie dotykać kabla sieciowego i adaptera sieciowego mokrymi dłońmi.
9. W miarę możliwości nie włączać i wyłączać urządzenia w krótkich odstępach czasu, gdyż może to mieć negatywny wpływ na jego żywotność.
28. **WAŻNA INFORMACJA:** bezpieczniki należy wymieniać wyłącznie na bezpieczniki tego samego typu i o takich samych wartościach. Jeśli bezpiecznik stale się przepala, należy skontaktować się z autoryzowanym centrum serwisowym.
29. Aby całkowicie odłączyć urządzenie od sieci, należy wyjąć kabel sieciowy lub adapter sieciowy z gniazda.
30. Jeśli urządzenie jest wyposażone w przyłączyce sieciowe Volex, konieczne jest odblokowanie odpowiedniej wtyczki urządzenia Volex, zanim będzie możliwe jej odłączenie. Oznacza to także, iż w wyniku pociągnięcia za kabel urządzenie może się przesunąć i spaść, co może spowodować obrażenia ciała i/lub inne szkody, dlatego ważne jest, aby przewody były odpowiednio poprowadzone.
31. W przypadku zagrożenia uderzeniem pioruna lub jeśli urządzenie przez dłuższy czas nie jest używane, należy wyjąć kabel sieciowy i adapter sieciowy z gniazda.



UWAGA:

Nigdy nie wolno zdejmować pokrywy, gdyż grozi to porażeniem prądem. We wnętrzu urządzenia nie ma żadnych części, które mogłyby zostać naprawione bądź poddane czynnościom konserwacyjnym przez użytkownika. Naprawy może przeprowadzać wyłącznie wykwalifikowany personel serwisowy.



Trójkąt równoramienny z symbolem błyskawicy oznacza niezaizolowane, „niebezpieczne” napięcie w urządzeniu, które może spowodować niebezpieczne dla zdrowia porażenie prądem.



Trójkąt równoramienny z wykrzyknikiem oznacza ważne wskazówki dotyczące obsługi i wskazówki ostrzegawcze.

UWAGA NA WYSOKI POZIOM GŁOŚNOŚCI PRODUKTÓW AUDIO!

To urządzenie przewidziane jest do profesjonalnych zastosowań. Komercyjne stosowanie tego urządzenia podlega obowiązującym w danym kraju przepisom i wytycznym dotyczącym zapobiegania wypadkom. Firma Adam Hall jest jako producent zobowiązana do wyraźnego informowania o potencjalnym zagrożeniu dla zdrowia. Utrata słuchu w wyniku wysokiego poziomu głośności i długotrwałego narażenia: podczas stosowania tego produktu może powstać wysoki poziom ciśnienia akustycznego (SPL), który może doprowadzić do nieodwracalnego uszkodzenia słuchu u artystów, pracowników i widzów. Należy unikać długotrwałego narażenia na wysoki poziom głośności powyżej 90 dB.



Aby zapobiec ewentualnemu uszkodzeniu słuchu, unikać słuchania przy dużym poziomie głośności przez dłuższy czas.

Głośny dźwięk może prowadzić do uszkodzenia słuchu nawet przy krótkim okresie oddziaływania. Głośność należy zawsze utrzymywać na przyjemnym dla ucha poziomie.

ELEMENTY SYSTEMU WSEC02:

Wszystkie zestawy zawierają następujące elementy systemu:



Odbiornik

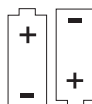
Kabel audio zakończony obustronnie wtykami mono typu jack 6,3 mm



Zasilacz sieciowy



Baterie



W zależności od zestawu zawarte są następujące elementy dodatkowe:

LDWSEC02BPH – EC02 Zestaw z nadajnikiem kieszonkowym i zestawem nagłownym



Zestaw nagłowny

Nadajnik kieszonkowy

LDWSEC02HHD – EC02 Zestaw z nadajnikiem ręcznym



Nadajnik ręczny z dynamiczną kapsułą mikrofonową

LDWSEC02BPG – EC02 Zestaw z nadajnikiem kieszonkowym i kablem do gitary

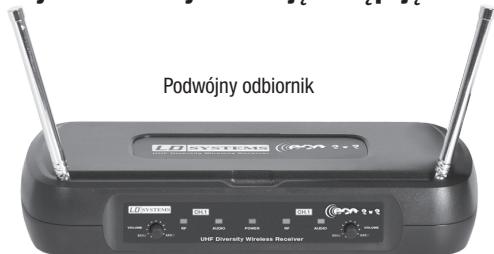


Kabel do gitary

Nadajnik kieszonkowy

ELEMENTY SYSTEMU WSEC02X2:

Wszystkie zestawy zawierają następujące elementy systemu:

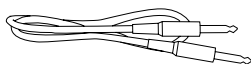


Podwójny odbiornik

Zasilacz sieciowy



Kabel audio zakończony obustronnie wtykami mono typu jack 6,3 mm



Baterie

W zależności od zestawu zawarte są następujące elementy dodatkowe:

LDWSEC02X2BPH – EC02X2 Zestaw z 2 nadajnikami kieszonkowymi i 2 zestawami nagłownymi

albo

LDWSEC02X2HHD – EC02X2 Zestaw z 2 nadajnikami ręcznymi



2 nadajniki kieszonkowe

2 nadajniki ręczne z dynamiczną kapsułą mikrofonową



2 zestawy nagłowne

ENGLISH

DEUTSCH

FRANCAIS

ESPAÑOL

POLSKI

ITALIANO

PRZYŁĄCZA, ELEMENTY OBSŁUGI I WSKAŹNIKI:

ENGLISH

DEUTSCH

FRANCAIS

ESPAÑOL

POLSKI

ITALIANO

ODBIORNIK EC02



PRZYŁĄCZA, ELEMENTY OBSŁUGI I WSKAŹNIKI:

1 DIODA LED POWER

Zapala się, gdy urządzenie jest prawidłowo podłączone do sieci elektrycznej (odpowiedni zasilacz w zestawie).

2 SYGNALIZACYJNE DIODY LED DLA ANTEN A/B

Pokazują, czy aktywne jest wejście antenowe A czy B.

3 DIODA LED NORM

Zapala się, gdy pojawi się sygnał audio.

4 DIODA LED PEAK

Zapala się, gdy odbiornik pracuje na granicy zniekształceń. Aby uniknąć zniekształceń, należy zredukować poziom sygnału nadajnika.

Nadajnik ręczny: regulator GAIN obrócić w lewo za pomocą odpowiedniego narzędzia.

Nadajnik kieszonkowy: 3-stopniowy przełącznik MIC/O dB/-10 dB ustawić na najbliższą niższą wartość.

5 VOLUME

Regulator głośności odbiornika. Przekręcenie regulatora w lewo powoduje zmniejszenie, a w prawo – zwiększenie głośności.

6 AF OUTPUT

Symetryczne wyjście liniowe z gniazdem XLR.

7 GNIAZDO NISKIEGO NAPIĘCIA

Przyłączyć dopływu zasilania do urządzenia. Stosować wyłącznie zasilacz objęty zakresem dostawy.

8 MUTE LEVEL

UWAGA: przed zmianą poziomu MUTE należy najpierw ustawić głośność podłączonego systemu PA na poziomie minimum.

Funkcja MUTE (tłumienie szumów/squelch) zapobiega powstawaniu szumów w tle przy wyłączonym nadajniku. Oprócz tego tłumione są także powstające nagle szумы w tle, gdy sygnał przekazywany z nadajnika do odbiornika nie ma wystarczającej mocy.

Poziom MUTE należy ustawić przy wyłączonym nadajniku za pomocą odpowiedniego wkrętaka tak, aby skutecznie stłumić zakłócenia (obróć w lewo zmniejsza tłumienie szumów, obrót w prawo zwiększa).

Ustawienie mocnego tłumienia szumów może w niesprzyjających warunkach spowodować zmniejszenie zasięgu transmisji.

W chwili dostawy regulator poziomu MUTE znajduje się w pozycji na lewo do oporu, a zatem tłumienie szumów ustawione jest na minimalnym poziomie. Ustawienie to jest optymalne dla większości zastosowań, a zmiany są potrzebne tylko w rzadkich przypadkach.

9 UNBAL OUTPUT

Niesymetryczne wyjście liniowe z gniazdem jack 6,3 mm.

ENGLISH

DEUTSCH

FRANCAIS

ESPAÑOL

POLSKI

ITALIANO

PRZYŁĄCZA, ELEMENTY OBSŁUGI I WSKAŹNIKI:

ENGLISH

DEUTSCH

FRANCAIS

ESPAÑOL

POLSKI

ITALIANO

ODBIORNIK EC02X2



PRZYŁĄCZA, ELEMENTY OBSŁUGI I WSKAŹNIKI:

1 DIODA LED POWER

Zapala się, gdy urządzenie jest prawidłowo podłączone do sieci elektrycznej (odpowiedni zasilacz w zestawie).

2 RF-LED CH 1/CH 2

Zapala się, gdy w odbiorniku pojawi się sygnał radiowy na kanale 1 (CH 1) lub na kanale 2 (CH 2).

3 AUDIO-LED

Zapala się, gdy w odbiorniku pojawi się sygnał audio na kanale 1 (CH 1) lub na kanale 2 (CH 2).

4 VOLUME CH 1/CH 2

Regulator głośności dla odbiornika na kanale 1 (CH 1) lub na kanale 2 (CH 2). Przekręcenie regulatora w lewo powoduje zmniejszenie, a w prawo – zwiększenie głośności.

5 AF OUTPUT CHANNEL 1/CHANNEL 2

Symetryczne wyjście liniowe z gniazdem XLR dla odbiornika na kanale 1 (CH 1) lub na kanale 2 (CH 2).

6 MUTE LEVEL CHANNEL 1/CHANNEL 2

Funkcja MUTE dla odbiornika na kanale 1 (CH 1) lub na kanale 2 (CH 2).

UWAGA: przed zmianą poziomu MUTE należy najpierw ustawić głośność podłączonego systemu PA na poziomie minimum.

Funkcja MUTE (tłumienie szumów/squelch) zapobiega powstawaniu szumów w tle przy wyłączonym nadajniku. Oprócz tego tłumione są także powstające nagle szумы w tle, gdy sygnał przekazywany z nadajnika do odbiornika nie ma wystarczającej mocy.

Poziom MUTE należy ustawić przy wyłączonym nadajniku za pomocą odpowiedniego wkrętaka tak, aby skutecznie sfilcować zakłócenia (obrót w lewo zmniejsza tłumienie szumów, obrót w prawo zwiększa).

Ustawienie mocnego tłumienia szumów może w niesprzyjających warunkach spowodować zmniejszenie zasięgu transmisji.

W chwili dostawy regulator poziomu MUTE znajduje się w pozycji na lewo do oporu, a zatem tłumienie szumów ustawione jest na minimalnym poziomie. Ustawienie to jest optymalne dla większości zastosowań, a zmiany są potrzebne tylko w rzadkich przypadkach.

7 GNIAZDO NISKIEGO NAPIĘCIA

Przyłącze dopływu zasilania do urządzenia. Stosować wyłącznie zasilacz objęty zakresem dostawy.

8 2 IN 1 MIX UNBAL OUTPUT

Niesymetryczne wyjście liniowe z gniazdem jack 6,3 mm. Podawany sygnał audio składa się ze zmiksowanego sygnału z kanałów odbiornika 1 i 2 (CHANNEL 1 + CHANNEL 2). Stosunek głośności obu kanałów można ustawić za pomocą regulatorów głośności (nr 4) dla kanałów 1 i 2.

NADAJNIK KIESZONKOWY:

ENGLISH

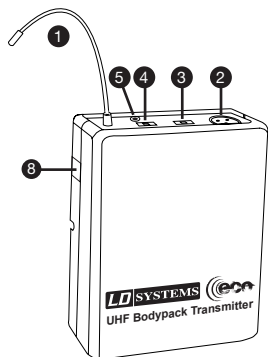
DEUTSCH

FRANCAIS

ESPAÑOL

POLSKI

ITALIANO



1 ANTENA NADAJNIKA

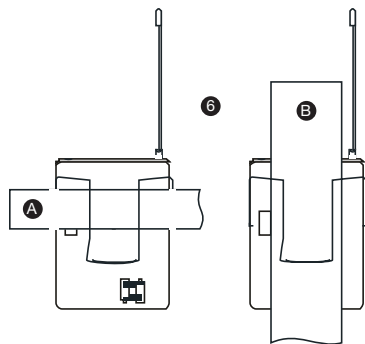
Aby zapewnić optymalną transmisję radiową, anteny nie wolno dotykać, zginać ani zasłaniać.

2 INPUT

3-stykowe wejście mini XLR dla mikrofonów z zestawem nagłownym, mikrofonów lavalier i mikrofonów do instrumentów, jak również dla kabli do gitary. Listę wszystkich modeli podano w specyfikacjach.

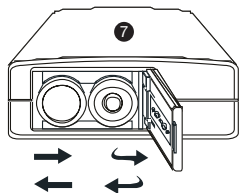
3 MIC/0 dB/-10 DB

Regulacja czułości wejściowej.
LDWSEC02: czułość należy ustawić na takim poziomie, aby przy podawanym sygnale (mowa, śpiew, gitara itp.) świeciła się zielona dioda sygnalizacyjna LED (NORM) na odbiorniku. Gdy zaświeci się czerwona dioda LED PEAK, należy zredukować czułość, ustawiając 3-stopniowy przełącznik MIC/0 dB/-10 dB na najbliższą niższą wartość, gdyż w przeciwnym razie mogą wystąpić niepożądane zniekształcenia.
LDWSEC02X2: głośność należy ustawić na takim poziomie, aby przy podawanym sygnale (mowa, śpiew itp.) świeciła się zielona dioda sygnalizacyjna LED (AUDIO) na odbiorniku. Gdy sygnał audio będzie zniekształcany, należy zredukować czułość, ustawiając 3-stopniowy przełącznik MIC/0 dB/-10 dB na najbliższą niższą wartość.



4 ON/STANDBY/OFF

Po włączeniu nadajnika (przełącznik w pozycji STANDBY/ON) przez krótką chwilę pulsuje czerwona dioda LED sygnalizująca status baterii, a następnie gaśnie, jeśli włożono odpowiednio naładowane baterie. W pozycji STANDBY nadajnik działa, ale sygnał audio jest wyciszony.



5 DIODA LED SYGNALIZUJĄCA POZIOM NAŁADOWANIA BATERII

Gdy zaświeci się czerwona dioda LED sygnalizująca poziom naładowania baterii, należy natychmiast wymienić baterie.

NADAJNIK KIESZONKOWY:

6 MOCOWANIE NADAJNIKA KIESZONKOWEGO

Nadajnik należy przymocować do paska spodni (rysunek **A**) lub do paska gitary (rysunek **B**), jak przedstawiono na rysunkach obok.

7 WYMIANA BATERII

Gdy świeci się czerwona dioda LED sygnalizująca poziom naładowania baterii, należy wymienić baterie. W tym celu nacisnąć pokrywę komory na baterie w zaznaczonym miejscu (OPEN) i przesunąć ją w bok. Włożyć dwie baterie alkaliczne 1,5 V typu AA (LR6, Mignon) zgodnie z rysunkiem znajdującym się z tyłu nadajnika i zamknąć komorę na baterie, naciskając zaznaczone miejsce (CLOSE) pokrywki i przesuwając ją w bok.

Jeśli system nadawczo-odbiorczy nie jest używany przez dłuższy czas, należy wyjąć baterie z komory.

8 CHARGE

Gniazdo niskiego napięcia na wtyk 3,5 mm do ładowania akumulatorów typu AA (+ wewnątrz, - na zewnątrz).

- Stosować wyłącznie ładowarkę pasującą do akumulatorów stosowanych przez użytkownika i przestrzegać maksymalnego dozwolonego czasu ładowania!
- Należy pamiętać, że akumulatory umieszczone w komorze są połączone szeregowo!
- Nigdy nie ładować baterii jednorazowego użytku!

W razie nieprzestrzegania powyższych wskazówek istnieje ryzyko pożaru i wybuchu!

ENGLISH

DEUTSCH

FRANCAIS

ESPAÑOL

POLSKI

ITALIANO

NADAJNIK RĘCZNY

ENGLISH

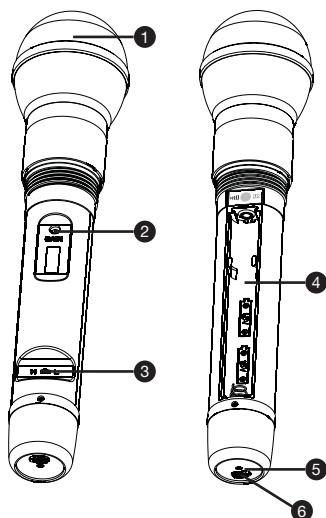
DEUTSCH

FRANCAIS

ESPAÑOL

POLSKI

ITALIANO



1 GŁÓWKA MIKROFONU

Z dynamiczną kapsułą mikrofonową.

2 REGULATOR WZMOCNIENIA (GAIN)

Regulacja głośności mikrofonu. Przekręcenie regulatora w lewo powoduje zmniejszenie, a w prawo – zwiększenie poziomu sygnału. LDWSEC02: głośność należy ustawić na takim poziomie, aby przy podawanym sygnale (mowa, śpiew itp.) świeciła się zielona dioda sygnalizacyjna LED (NORM) na odbiorniku. Gdy zaświeci się czerwona dioda LED PEAK, należy odpowiednio zredukować poziom, gdyż w przeciwnym razie mogą wystąpić niepożądane zniekształcenia.

LDWSEC02X2: głośność należy ustawić na takim poziomie, aby przy podawanym sygnale (mowa, śpiew itp.) świeciła się zielona dioda sygnalizacyjna LED (AUDIO) na odbiorniku. Gdy sygnał audio będzie zniekształcany, należy odpowiednio zredukować poziom.

3 RF POWER H/L

Dla większości zastosowań przełącznik powinien być ustawiony w pozycji H (= wysoka moc nadawcza). Aby wydłużyć czas działania baterii, można w przypadku zastosowań, podczas których między nadajnikiem a odbiornikiem jest niewielka odległość, ustawić przełącznik w pozycji L (= niska moc nadawcza). Przed planowaną imprezą należy sprawdzić, czy niska moc nadawcza jest wystarczająca.

4 KOMORA BATERII

W komorze na baterie umieścić dwie baterie alkaliczne 1,5 V typu AA (LR6, Mignon) zgodnie z rysunkiem. Jeśli system nadawczo-odbiorczy nie jest używany przez dłuższy czas, należy wyjąć baterie z komory.

5 BATT-LED

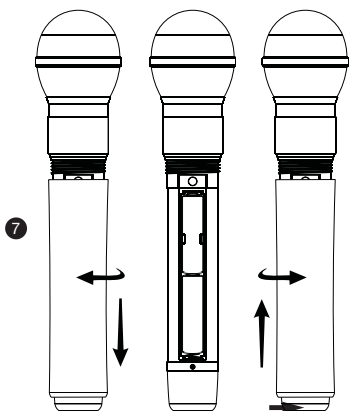
Gdy zaświeci się czerwona dioda LED sygnalizująca poziom naładowania baterii, należy natychmiast wymienić baterie.

6 PRZEŁĄCZNIK ON/OFF

Po włączeniu nadajnika przez krótką chwilę pulsuje czerwona dioda LED sygnalizująca status baterii, a następnie gaśnie, jeśli włożono odpowiednio naładowane baterie.

7 WYMIANA BATERII

Gdy świeci się czerwona dioda LED sygnalizująca poziom naładowania baterii, należy wymienić baterie. W tym celu należy odkręcić pokrywę komory na baterie w kierunku przeciwnym do ruchu wskazówek zegara, a po wymianie baterii przykręcić pokrywę w odwrotnym kierunku.



OPTIMALIZACJA TRANSMISJI RADIOWEJ:

- Skierować nadajnik bezpośrednio na odbiornik („kontakt wizualny” obu urządzeń).
- Nie stawiać odbiornika blisko metalowych przedmiotów/powierzchni ani urządzeń cyfrowych (odtwarzacz CD, komputer itp.).
- Ustawić odbiornik w taki sposób, aby nie stał bezpośrednio przed ścianą i znajdował się co najmniej 1 m nad podłogą.
- Telefony komórkowe, dwukierunkowe urządzenia radiowe i podobny sprzęt mogą zakłócić połączenie radiowe pomiędzy nadajnikiem a odbiornikiem i dlatego nie należy ich używać w pobliżu systemu nadawczo-odbiorczego.

ENGLISH

DEUTSCH

FRANCAIS

ESPAÑOL

POLSKI

ITALIANO

USUWANIE USTEREK:

PROBLEM	OPIS	ROZWIĄZANIE
Brak sygnału audio lub za niski poziom	Odbiornik ECO2: nie świeci się ani dioda LED anteny A, ani dioda LED anteny B. Odbiornik ECO2X2: nie świeci się dioda LED RF.	Sprawdzić, czy nadajnik jest włączony. Sprawdzić baterie nadajnika.
	Odbiornik: nie świeci się dioda LED POWER	Sprawdzić zasilanie
	Odbiornik ECO2: nie świeci się ani dioda LED anteny A, ani dioda LED anteny B. Odbiornik ECO2X2: nie świeci się dioda LED RF. Nadajnik: urządzenie jest włączone. Stan naładowania baterii jest w porządku.	Sprawdzić, czy nadajnik i odbiornik pracują na tej samej częstotliwości. Ustawić przełącznik GAIN nadajnika ręcznego w pozycji L (= wysoka moc nadawcza). Zmniejszyć odstęp między nadajnikiem a odbiornikiem. Zadbać o to, aby między nadajnikiem a odbiornikiem istniało bezpośrednie połączenie „w polu widzenia”. Zadbać o to, aby anteny odbiornika były skierowane w górę i ustawione w kształcie litery V. Zmniejszyć moc tłumienia szumów (MUTE LEVEL).
	Odbiornik ECO2: świeci się dioda LED anteny A lub anteny B. Odbiornik ECO2X2: świeci się dioda LED RF. Nadajnik kieszonkowy: Przełącznik ON/STANDBY/OFF jest ustawiony w pozycji STANDBY.	Ustawić przełącznik ON/STANDBY/OFF nadajnika kieszonkowego w pozycji ON.
	Odbiornik ECO2: świeci się dioda LED anteny A lub anteny B. Odbiornik ECO2X2: świeci się dioda LED RF. Odbiornik ECO2: dioda sygnalizacyjna LED NORM nie świeci się, gdy podawany jest sygnał audio. Odbiornik ECO2X2: dioda sygnalizacyjna LED AUDIO nie świeci się, gdy podawany jest sygnał audio.	Zwiększyć poziom sygnału lub czułość w nadajniku.
Zakłócenia i szумы w tle	Odbiornik: świeci się wskaźnik sygnału radiowego.	Usunąć możliwe źródła zakłóceń (urządzenia elektroniczne, inne systemy radiowe). Zwiększyć moc tłumienia szumów (MUTE LEVEL) w odbiorniku.
Zniekształcony dźwięk	Nadajnik: świeci się czerwona dioda LED sygnalizująca poziom naładowania baterii. Odbiornik ECO2: świeci się czerwona dioda LED PEAK na odbiorniku.	Wymienić baterie w nadajniku. Zmniejszyć poziom sygnału lub czułość w nadajniku.

SPECYFIKACJA:

ODBIORNIK

Nazwa modelu:	LDWSEC02R	LDWSEC02X2
Typ odbiornika:	Odbiór zbiorczy	Brak odbioru zbiorczego
Modulacja:	FM	
Zakres częstotliwości:	863.100 MHz – WSEC02R1 863.900 MHz – WSEC02R2 864.500 MHz – WSEC02R3 864.900 MHz – WSEC02R4	863.100/864.500 MHz – WSEC02X2R1 863.900/864.900 MHz – WSEC02X2R2
Liczba kanałów:	1	2
Złącza anteny:	Antena stała	
Charakterystyka częstotliwościowa:	60–16000 Hz	
Blokada szumów:	Poziom wyciszenia	
Stosunek sygnału do szumu:	> 105 dB	
Wyjście symetryczne:	XLR	2 x XLR
Wyjście niesymetryczne:	jack 6,3 mm	-
Wyjście niesymetryczne mix:	-	jack 6,3 mm
Poziom wyjściowy sygnału akustycznego (zbalansowany):	-12 dBV	
Poziom wyjściowy sygnału akustycznego (niezbalansowany):	-18 dBV	
Regulacja:	głośność	2 x głośność
Wskaźniki:	moc, wskaźnik wysokiej częstotliwości antena A/B, sygnał audio, wartość szczytowa	moc, wskaźnik częstotliwości radiowej kanał 1/2, sygnał audio kanał 1/2
Napięcie robocze:	12–18 V DC, 300 mA	12–18 V DC, 300 mA
Zakres temperatur pracy:	od -10°C do 45°C	
Wilgotności względna w środowisku pracy:	od 25% do 85%	
Wymiary (szer. x wys. x gł.):	235 x 44 x 118 mm	
Waga:	0,4 kg	0,4 kg
Dołączone akcesoria:	zasilacz sieciowy, kabel audio	zasilacz sieciowy, kabel audio

ENGLISH

DEUTSCH

FRANCAIS

ESPAÑOL

POLSKI

ITALIANO

SPECYFIKACJA:

NADAJNIK RĘCZNY

Nazwa modelu:	LDWSECO2MD
Modulacja:	FM
Zakres częstotliwości:	863.100 MHz – WSECO2MD1 863.900 MHz – WSECO2MD2 864.500 MHz – WSECO2MD3 864.900 MHz – WSECO2MD4
Liczba kanałów:	1
Typ mikrofonu:	dynamiczny
Charakterystyka kierunkowa:	kardioidalna
Charakterystyka częstotliwościowa:	60 - 16000 Hz
Moc wyjściowa sygnału częstotliwości radiowej:	10 mW
Regulacja:	Wł./Wyt., wzmocnienie, moc wysokiej częstotliwości W/N
Wskaźniki:	niski poziom naładowania baterii
Zasilanie:	2 baterie AA
Czas pracy:	do 10 godzin (w zależności od baterii)
Zakres temperatur pracy:	od -10°C do 45°C
Zakres wilgotności względnej w środowisku pracy:	od 25% do 85%
Wymiary (dł. x Ø):	250 x 53 mm
Waga:	0,28 kg
Dołączone akcesoria:	2 baterie AA

SPECYFIKACJA:

NADAJNIK BODYPACK

Nazwa modelu:	LDWSEC02BP
Modulacja:	FM
Zakres częstotliwości:	863.100 MHz – WSEC02BP1 863.900 MHz – WSEC02BP2 864.500 MHz – WSEC02BP3 864.900 MHz – WSEC02BP4
Liczba kanałów:	1
Wejścia:	3-stykowe mini-XLR
Charakterystyka częstotliwościowa:	60 - 16000 Hz
Moc wyjściowa sygnału częstotliwości radiowej:	10 mW
Regulacja:	Wł./Czuwanie/Wył., potrójny przełącznik wzmocnienia
Wskaźniki:	niski poziom naładowania baterii
Zasilanie:	2 baterie AA
Czas pracy:	do 10 godzin (w zależności od baterii)
Zakres temperatur pracy:	od -10°C do 45°C
Zakres wilgotności względnej w środowisku pracy:	od 25% do 85%
Wymiary (szer. x wys. x gł.):	65 x 85 x 23 mm
Waga (bez baterii):	0,1 kg
Dołączone akcesoria:	2 baterie AA

ENGLISH

DEUTSCH

FRANCAIS

ESPAÑOL

POLSKI

ITALIANO

SPECYFIKACJA:

MIKROFON

Nazwa modelu:	LDWS100MH1	LDWS100MH3
Typ mikrofonu:	nagłowny	nagłowny
Kapsuła:	pojemnościowo-elektretowa tylna	pojemnościowo-elektretowa tylna
Charakterystyka kierunkowa:	kardioidalna	kardioidalna
Charakterystyka częstotliwościowa:	20-20000 Hz	70-16000 Hz
Złącze:	3-stykowe mini-XLR	3-stykowe mini-XLR
Dołączone akcesoria:	gąbka mikrofonowa	gąbka mikrofonowa
Właściwości:	-	-
Nazwa modelu:	LDHSAE1	LDWS100ML
Typ mikrofonu:	nagłowny	mikrofon przypinany
Kapsuła:	pojemnościowo-elektretowa tylna	pojemnościowo-elektretowa tylna
Charakterystyka kierunkowa:	dwukierunkowa	kardioidalna
Charakterystyka częstotliwościowa:	80-16000 Hz	20-20000 Hz
Złącze:	3-stykowe mini-XLR	3-stykowe mini-XLR
Dołączone akcesoria:	gąbka mikrofonowa	gąbka mikrofonowa
Właściwości:	materiał nieprzemakalny	-
Nazwa modelu:	LDWS1000MW	LDHSM1
Typ mikrofonu:	mikrofon do instrumentów dętych	nagłowny
Kapsuła:	pojemnościowo-elektretowa tylna	pojemnościowo-elektretowa tylna
Charakterystyka kierunkowa:	kardioidalna	redukcja szumów
Charakterystyka częstotliwościowa:	50-16000 Hz	70-16000 Hz
Złącze:	3-stykowe mini-XLR	3-stykowe mini-XLR
Dołączone akcesoria:	gąbka mikrofonowa	gąbka mikrofonowa
Właściwości:	-	materiał nieprzemakalny

KABEL GITAROWY

Nazwa modelu:	LDWS100GC
Złącze 1:	3-stykowe mini-XLR
Złącze 2:	jack 6,3 mm
Długość:	1,5 m

DEKLARACJE PRODUCENTA:

ENGLISH

DEUTSCH

FRANCAIS

ESPAÑOL

POLSKI

ITALIANO

GWARANCJA PRODUCENTA

Niniejsza gwarancja obejmuje zakupiony przez Państwa produkt Adam Hall marki LDSYSTEM. Niniejsza gwarancja nie narusza ustawowych praw wynikających z rękojmi wobec sprzedawcy. Gwarancja ta określa dodatkowo oddzielne roszczenia wobec firmy Adam Hall.

Udzielając niniejszej gwarancji, firma Adam Hall zapewnia, że zakupiony przez Państwa w firmie Adam Hall lub u partnera firmy Adam Hall produkt przy normalnym użytkowaniu w okresie 2 lat od daty zakupu będzie wolny od wad materiałowych lub wad technologicznych. Okres gwarancji rozpoczyna się z dniem zakupu. Potwierdzenie daty zakupu niezbędne dla dochodzenia roszczenia gwarancyjnego następuje poprzez okazanie paragonu opatrzonego datą zakupu lub dowodu dostawy opatrzonego datą zakupu. Użytkownik ma prawo do serwisu gwarancyjnego zgodnie z warunkami i postanowieniami wymienionymi w niniejszym dokumencie, jeśli wymagana jest naprawa w trakcie okresu gwarancyjnego.

Niniejsza gwarancja przysługuje wyłącznie pierwotnemu kupującemu, który nabył produkt oferowany przez firmę Adam Hall i nie podlega przeniesieniu na osoby, na które pierwotny kupujący przeniósł własność w odniesieniu do produktu firmy Adam Hall.

W trakcie trwania okresu gwarancji wadliwe komponenty lub produkt firmy Adam Hall podlegają naprawie lub wymianie. Wszystkie komponenty wymienione lub usunięte w ramach niniejszej gwarancji stają się własnością firmy Adam Hall.

W mało prawdopodobnym przypadku, gdy w zakupionym przez Państwa produkcie firmy Adam Hall wada wystąpiłaby wielokrotnie, firma Adam Hall może, według własnego uznania, zdecydować o wymianie tego produktu na porównywalny produkt o co najmniej takich samych parametrach.

Firma Adam Hall nie udziela gwarancji na bezzakłóceńowe lub bezawaryjne działanie niniejszego produktu. Firma Adam Hall nie ponosi odpowiedzialności za szkody wynikłe z nieprzestrzegania instrukcji objętych zakresem dostawy.

Niniejsza gwarancja nie obejmuje:

- części zużywalnych (np. akumulatora, lamp elektronowych);
- urządzeń, z których usunięto numer seryjny lub które zostały uszkodzone w wyniku wypadku;
- nieodpowiedniej lub nieprawidłowej eksploatacji lub innych przyczyn zewnętrznych;
- urządzeń, które były eksploatowane niezgodnie z parametrami pracy określonymi w dokumentacji użytkownika objętej zakresem dostawy produktu;
- urządzeń, które były naprawiane przy użyciu części, których nie wyprodukowała lub nie sprzedała firma Adam Hall;
- urządzeń, które były serwisowane, modyfikowane lub naprawiane przez inne osoby niż firma Adam Hall lub jej autoryzowany partner serwisowy.

Niniejsze postanowienia i warunki stanowią kompletną i wyłączną umowę gwarancyjną między klientem a firmą Adam Hall dotyczącą zakupionego przez klienta produktu Adam Hall.

Niniejsza gwarancja jest ważna tylko na terenie Europy. Poza Europą proszę kontaktować się z naszymi oficjalnymi dystrybutorami.

DEKLARACJE PRODUCENTA:

OGRANICZENIE ODPOWIEDZIALNOŚCI

Jeśli w produktach sprzętowych firmy Adam Hall w trakcie trwania okresu gwarancji wystąpią szkody materiałowe lub technologiczne (zgodnie z powyższym oświadczeniem gwarancyjnym), jedyne i wyłączone prawo klienta wynikające z niniejszej gwarancji dotyczy naprawy lub wymiany urządzenia. Maksymalna odpowiedzialność firmy Adam Hall jest zgodnie z niniejszą gwarancją wyraźnie ograniczona do ceny kupna lub kosztów naprawy lub wymiany (w zależności od tego, która z tych kwot będzie niższa) elementów uszkodzonych podczas normalnego użytkowania.

Adam Hall nie ponosi odpowiedzialności za żadne szkody spowodowane przez produkt lub jego nieprawidłowe działanie, włącznie z utraconym zyskiem i niepowstałymi oszczędnościami oraz szkodami szczególnymi, pośrednimi i wynikowymi. Ponadto Adam Hall nie ponosi odpowiedzialności za roszczenia prawne osób trzecich ani roszczenia zgłoszone przez klienta w imieniu osób trzecich.

Niniejsze ograniczenie odpowiedzialności obowiązuje niezależnie od tego, czy szkody są dochodzone na drodze sądowej lub czy roszczenia odszkodowawcze wnoszone są w ramach niniejszej gwarancji w wyniku niedozwolonych działań (włącznie z niedbalstwem i odpowiedzialnością z tytułu zagrożenia) lub w wyniku roszczeń umownych lub innych. Nie może ono zostać także przez nikogo zniesione ani zmienione. Niniejsze ograniczenie odpowiedzialności obowiązuje także wówczas, gdy klient poinformuje firmę Adam Hall lub autoryzowanego przedstawiciela firmy Adam Hall o możliwości wystąpienia takich szkód, nie obowiązuje natomiast w przypadku roszczeń odszkodowawczych związanych ze szkodami na osobie.

Niniejsza gwarancja producenta przyznaje klientowi określone prawa. W zależności od jurysdykcji (państwo lub kraj związkowy) klientowi może przysługiwać prawo zgłoszenia dalszych roszczeń. W takich przypadkach zaleca się zastosowanie odpowiednich przepisów umożliwiających skorzystanie z pełni przysługujących danej osobie praw.

SKORZYSTANIE Z GWARANCJI

W razie wystąpienia przypadku objętego gwarancją należy zwrócić się bezpośrednio do firmy Adam Hall lub do autoryzowanego sprzedawcy, u którego produkt został zakupiony.

DEKLARACJA ZGODNOŚCI WE

Sprzedawane przez firmę Adam Hall urządzenia są zgodne z podstawowymi wymogami i pozostałymi obowiązującymi specyfikacjami określonymi dyrektywami 1999/5/WE (R&TTE), 2004/108/WE (EMC) i 2006/95/WE (LVD) (o ile mają zastosowanie). Dalsze informacje dostępne są na stronie www.adamhall.com.

DEKLARACJE PRODUCENTA:

ENGLISH

DEUTSCH

FRANCAIS

ESPAÑOL

POLSKI

ITALIANO

PRAWIDŁOWA UTYLIZACJA NINIEJSZEGO PRODUKTU

(dotyczy Unii Europejskiej i innych krajów europejskich, w których stosuje się segregację odpadów)



Niniejszy symbol na produkcie lub związanych z nim dokumentach wskazuje, iż po zakończeniu okresu użytkowania urządzenie nie może być utylizowane razem ze standardowymi odpadami domowymi, ponieważ mogłoby to spowodować szkody w środowisku lub szkody na osobie powstałe w wyniku niekontrolowanego usuwania odpadów. Niniejszy produkt należy utylizować oddzielnie od innych odpadów i przekazać do punktu recyklingu w celu wspierania ruchu okrężnego w gospodarce w ramach idei zrównoważonego rozwoju.

Klienci prywatni otrzymują informacje w zakresie przyjaznych dla środowiska możliwości usuwania odpadów od sprzedawcy, u którego produkt został zakupiony, lub w odpowiednich placówkach regionalnych. Użytkownicy będący przedsiębiorcami proszeni są o kontakt ze swoimi dostawcami i ewentualne sprawdzenie uzgodnionych umownie warunków utylizacji urządzeń. Niniejszy produkt nie może być utylizowany razem z innymi odpadami przemysłowymi.

OCHRONA ŚRODOWISKA I OSZCZĘDZANIE ENERGII

Oszczędzanie energii stanowi aktywny wkład w ochronę środowiska. Należy wyłączać wszystkie nieużywane urządzenia elektryczne. Aby zapobiec zużyciu prądu przez nieużywane urządzenia znajdujące się w trybie czuwania (standby), należy wyjąć wtyczkę z gniazda sieciowego.

Adam Hall GmbH, wszystkie prawa zastrzeżone. Dane techniczne i funkcjonalne produktu mogą podlegać modyfikacjom. Kopiowanie, tłumaczenie i pozostałe formy reprodukcji fragmentów lub całości tej instrukcji obsługi są zabronione.



ENGLISH

DEUTSCH

FRANÇAIS

ESPAÑOL

POLSKI

ITALIANO

Avete fatto la scelta giusta!

Quest'apparecchio è stato sviluppato e prodotto secondo elevati standard qualitativi che garantiscono un funzionamento regolare per molti anni. Per questo motivo LD Systems, con il suo nome e la pluriennale esperienza, rappresenta un'azienda produttrice di prodotti audio di qualità.

Leggete attentamente questo manuale d'uso per utilizzare al meglio il vostro nuovo prodotto LD Systems.

Per maggiori informazioni su LD SYSTEMS, consultate la nostra pagina web WWW.LD-SYSTEMS.COM

LD WSEC02 / LD WSEC02X2

UHF WIRELESS SYSTEMS



ENGLISH

DEUTSCH

FRANCAIS

ESPAÑOL

POLSKI

ITALIANO

MISURE PRECAUZIONALI:

1. Leggere attentamente il presente manuale di istruzioni.
2. Conservare tutte le indicazioni e le istruzioni in un luogo sicuro.
3. Seguire le istruzioni.
4. Rispettare tutte le avvertenze. Non rimuovere dal dispositivo le indicazioni sulla sicurezza o altre informazioni.
5. Utilizzare il dispositivo solo nei modi previsti dal manuale.
6. Utilizzare esclusivamente stativi e fissaggi stabili e adatti (per installazioni fisse). Verificare che i supporti a parete siano installati e fissati a regola d'arte. Verificare che il dispositivo sia installato in modo stabile e non possa cadere.
7. Durante l'installazione, osservare le normative sulla sicurezza in vigore nel proprio Paese.
8. Non installare né azionare il dispositivo in prossimità di radiatori, accumulatori termici, stufe o altre fonti di calore. Accertarsi che il dispositivo sia sempre installato in modo che venga raffreddato a sufficienza e non possa surriscaldarsi. Evitare l'esposizione diretta ai raggi solari.
9. Non appoggiare sul dispositivo fonti di combustione, quali candele accese.
10. Le fessure di areazione non devono essere bloccate.
11. Non attivare il dispositivo nelle immediate vicinanze di acqua (questo punto non interessa i dispositivi specifici per l'esterno, per i quali valgono le speciali indicazioni riportate di seguito). Non portare mai il dispositivo a contatto con materiali, liquidi o gas infiammabili.
12. Accertarsi che all'interno del dispositivo non possa penetrare acqua per gocciolamento o spruzzo. Non collocare sul dispositivo oggetti contenenti liquidi, quali vasi, tazze o bicchieri.
13. Assicurarsi che non sia possibile la caduta di oggetti nel dispositivo.
14. Azionare il dispositivo esclusivamente con gli accessori appositamente consigliati e previsti dal produttore.
15. Non aprire né modificare il dispositivo.
16. Una volta collegato il dispositivo, verificare tutti i cavi per evitare danni o incidenti, ad esempio per inciampo.
17. Durante il trasporto, assicurarsi che il dispositivo non possa cadere e causare possibili danni a cose e/o persone.
18. Se il dispositivo non funzionasse più correttamente, vi fosse caduto sopra del liquido o un oggetto o fosse stato danneggiato in altro modo, spegnerlo immediatamente e staccare la spina (se si tratta di un dispositivo attivo). La riparazione del dispositivo deve essere affidata esclusivamente a personale qualificato autorizzato.
19. Per la pulizia del dispositivo utilizzare un panno pulito.
20. Rispettare le leggi sullo smaltimento in vigore nel Paese di installazione. Al momento di smaltire l'imballo, separare la plastica dalla carta e dal cartone.
21. I sacchetti di plastica devono essere tenuti lontani dalla portata dei bambini.

DISPOSITIVI CON ALLACCIAMENTO DI RETE:

22. **ATTENZIONE:** se il cavo di rete è dotato di protezione, deve essere collegato a una presa di rete con messa a terra. Non disattivare mai la connessione di messa a terra di un cavo di rete.
23. Non accendere il dispositivo subito dopo essere stato sottoposto a forti variazioni di temperatura (ad esempio dopo il trasporto). Umidità e condensa potrebbero danneggiare il dispositivo. Accendere il dispositivo solo dopo che ha raggiunto la temperatura ambiente.
24. Prima di collegare il dispositivo alla presa, controllare innanzitutto se la tensione e la frequenza della rete elettrica coincidono con i valori indicati sul dispositivo stesso. Nel caso di dispositivo munito di selettore di tensione, collegarlo alla presa unicamente se i valori del dispositivo coincidono con quelli della rete elettrica. Se il cavo di rete o l'adattatore di rete forniti in dotazione non sono compatibili con la presa, rivolgersi a un elettricista.
25. Non calpestare il cavo di rete. Accertarsi che i cavi sotto tensione, in particolare della presa di rete o dell'adattatore di rete, non vengano pizzicati.
26. Durante il cablaggio del dispositivo, verificare sempre che il cavo di rete e l'adattatore di rete siano costantemente accessibili. Staccare sempre il dispositivo dall'alimentazione di rete quando non è utilizzato o durante la pulizia. Per staccare dalla presa il cavo di rete e l'adattatore di rete, tirare sempre dalla spina o dall'adattatore e

SICUREZZA:

ENGLISH

DEUTSCH

FRANCAIS

ESPAÑOL

POLSKI

ITALIANO

non dal cavo. Non toccare mai il cavo di alimentazione e l'alimentatore con le mani umide.

27. Evitare per quanto possibile di accendere e spegnere velocemente il dispositivo per non pregiudicarne la durata.

28. **NOTA IMPORTANTE:** Sostituire i fusibili esclusivamente con fusibili dello stesso tipo e valore. Se un fusibile continua a saltare, rivolgersi a un centro di assistenza autorizzato.

29. Per staccare completamente il dispositivo dalla rete elettrica, rimuovere il cavo di rete o l'adattatore di rete dalla presa.

30. Per staccare un dispositivo provvisto di presa Volex, è prima necessario sbloccare la relativa spina Volex del dispositivo stesso. Tirando il cavo di rete, però, il dispositivo potrebbe spostarsi e cadere, provocando danni alle persone o di altro genere. Prestare quindi la più scrupolosa attenzione durante la posa dei cavi.

31. In caso di pericolo di caduta di fulmine, o se il dispositivo rimane inutilizzato a lungo, staccare sempre il cavo di rete e l'adattatore di rete dalla presa.



ATTENZIONE:

non togliere mai il coperchio di protezione per evitare il pericolo di scosse elettriche. L'interno del dispositivo non contiene parti che possono essere riparate o sottoposte a manutenzione da parte dell'utente. Le riparazioni dovranno essere realizzate esclusivamente da tecnici qualificati.



Il triangolo isoscele con il simbolo del fulmine indica la presenza nel dispositivo di tensioni non isolate, "pericolose", che possono provocare scosse dannose alla salute.



Il triangolo isoscele con punto esclamativo avverte di importanti segnalazioni relative all'uso e alla manutenzione.

ATTENZIONE: ELEVATI LIVELLI SONORI NEI PRODOTTI AUDIO!

Questo dispositivo è destinato a uso professionale. Di conseguenza, se viene destinato ad un uso commerciale, sarà soggetto alle norme e ai regolamenti dell'Associazione per la prevenzione di infortuni del rispettivo settore professionale. In qualità di produttore, Adam Hall è tenuto per legge a informare espressamente gli utenti degli eventuali rischi per la salute.

Danni all'udito provocati da un'esposizione prolungata a un livello SPL elevato: dall'utilizzo di questo prodotto si possono generare elevati livelli di pressione sonora (SPL) che possono provocare danni irreparabili all'udito di artisti, collaboratori e spettatori. Evitare l'esposizione prolungata a livelli sonori elevati, superiori a 90 dB.



Per evitare possibili danni all'udito, evitare l'ascolto ad un volume elevato per periodi prolungati. L'esposizione al volume elevato può causare danni all'udito anche se è di breve durata. Mantenere sempre il volume ad un livello gradevole.

COMPONENTI DEL SISTEMA WSEC02:

Ogni set comprende i seguenti componenti:



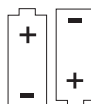
Ricevitore

Cavo audio jack da 6,3 mm mono a jack da 6,3 mm mono



Alimentatore

Pile



In funzione del set, inoltre, possono essere compresi i seguenti componenti:

LDWSEC02BPH - Set ECO2 con trasmettitore tascabile e cuffie



Cuffie

Trasmettitore tascabile

LDWSEC02HHD - Set ECO2 con microfono a mano



microfono dinamico a mano con relativa capsula

LDWSEC02BPG - Set ECO2 con trasmettitore tascabile e cavo per chitarra



Cavo per chitarra Trasmettitore tascabile

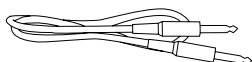
COMPONENTI DEL SISTEMA WSEC02X2:

Ogni set comprende i seguenti componenti:



Doppio ricevitore

Cavo audio jack da 6,3 mm mono a jack da 6,3 mm mono



Alimentatore



Pile

In funzione del set, inoltre, possono essere compresi i seguenti componenti:

LDWSEC02X2BPH - Set EC02X2, con n. 2 trasmettitori tascabili e n. 2 cuffie

oppure

LDWSEC02X2HHD -Set EC02X2 con n. 2 microfoni a mano con relativa capsula



n. 2 trasmettitori tascabili



n. 2 microfoni dinamici a mano con relativa capsula



2 cuffie

ENGLISH

DEUTSCH

FRANCAIS

ESPAÑOL

POLSKI

ITALIANO

CONNESSIONI, COMANDO E VISUALIZZAZIONE:

ENGLISH

DEUTSCH

FRANCAIS

ESPAÑOL

POLSKI

ITALIANO

RICEVITORE EC02



CONNESSIONI, COMANDO E VISUALIZZAZIONE:

1 LED POWER

Si accende se il dispositivo è correttamente connesso alla rete (alimentatore adatto fornito in dotazione).

2 LED ANTENNE A/B

Indicano se l'antenna attiva è la A o la B.

3 LED NORM

Si accende non appena compare un segnale audio.

4 LED PEAK

Si accende non appena il ricevitore funziona al limite di distorsione. Per evitare distorsioni, ridurre il livello di segnale dell'unità trasmittente.

Microfono a mano: ruotare il regolatore GAIN verso sinistra con un utensile apposito.

Trasmettitore tascabile: impostare l'interruttore a tre livelli MIC/0dB/-10dB sul valore immediatamente più basso.

5 VOLUME

Regolatore di volume del ricevitore. Ruotando il pomolo verso sinistra si abbassa il volume, verso destra si alza.

6 AF OUTPUT (USCITA AUDIO)

Uscita di linea bilanciata con presa XLR.

7 PRESA DI BASSA TENSIONE

Connessione per l'alimentazione elettrica dell'apparecchio. Utilizzare esclusivamente l'alimentatore fornito in dotazione.

8 MUTE LEVEL

ATTENZIONE: prima di modificare il livello Mute, impostare al minimo il volume del sistema PA collegato.

La funzione Mute (soppressione del rumore/silenziamento) impedisce che a trasmettitore spento insorgano interferenze e sopprime inoltre interferenze improvvise che possono verificarsi quando il segnale trasmesso dal trasmettitore al ricevitore non è sufficientemente forte.

A trasmettitore spento, regolare il livello Mute con un cacciavite adatto in modo da sopprimere i rumori parassiti (con rotazione a sinistra la soppressione del rumore si riduce, a destra si rafforza).

Se la soppressione delle interferenze è impostata a un livello eccessivo, è possibile che in condizioni sfavorevoli la portata della trasmissione ne risenta.

Poiché la configurazione di fabbrica del regolatore del livello Mute è tutto a sinistra, la soppressione del rumore è al minimo. Si tratta di un'impostazione adatta alla maggior parte delle applicazioni, che solo in rari casi deve essere modificata.

9 UNBAL OUTPUT (USCITA NON BILANCIATA)

Uscita di linea non bilanciata con presa jack da 6,3 mm.

ENGLISH

DEUTSCH

FRANCAIS

ESPAÑOL

POLSKI

ITALIANO

CONNESSIONI, COMANDO E VISUALIZZAZIONE:

ENGLISH

DEUTSCH

FRANCAIS

ESPAÑOL

POLSKI

ITALIANO

RICEVITORE EC02X2



CONNESSIONI, COMANDO E VISUALIZZAZIONE:

1 LED POWER

Si accende se il dispositivo è correttamente connesso alla rete (alimentatore adatto fornito in dotazione).

2 LED RF CH 1 / CH 2

Si accende non appena compare un segnale radio sul componente di ricezione del canale 1 (CH 1) o del canale 2 (CH 2).

3 LED AUDIO

Si accende non appena compare un segnale audio sul componente di ricezione del canale 1 (CH 1) o del canale 2 (CH 2).

4 VOLUME CH 1 / CH 2

Regolatore di volume del componente di ricezione Canale 1 (CH 1) o del canale 2 (CH 2). Ruotando il pomolo verso sinistra si abbassa il volume, verso destra si alza.

5 CHANNEL 1 / CHANNEL 2 AF OUTPUT

Uscita di linea bilanciata con presa XLR componente di ricezione del canale 1 (CH 1) o del canale 2 (CH 2).

6 CHANNEL 1 / CHANNEL 2 MUTE LEVEL

Funzione Mute del componente di ricezione del canale 1 (CHANNEL 1) o del canale 2 (CHANNEL 2).

ATTENZIONE: prima di modificare il livello Mute, impostare al minimo il volume del sistema PA collegato.

La funzione Mute (soppressione del rumore/silenziamento) impedisce che a trasmettitore spento insorgano interferenze e sopprime inoltre interferenze improvvise che possono verificarsi quando il segnale trasmesso dal trasmettitore al ricevitore non è sufficientemente forte.

A trasmettitore spento, regolare il livello Mute con un cacciavite adatto in modo da sopprimere i rumori parassiti (con rotazione a sinistra la soppressione del rumore si riduce, a destra si rafforza).

Se la soppressione delle interferenze è impostata a un livello eccessivo, è possibile che in condizioni sfavorevoli la portata della trasmissione ne risenta.

Poiché la configurazione di fabbrica del regolatore del livello Mute è tutto a sinistra, la soppressione del rumore è al minimo. Si tratta di un'impostazione adatta alla maggior parte delle applicazioni, che solo in rari casi deve essere modificata.

7 PRESA DI BASSA TENSIONE

Connessione per l'alimentazione elettrica dell'apparecchio. Utilizzare esclusivamente l'alimentatore fornito in dotazione.

8 2 IN 1 MIX UNBAL OUTPUT (USCITA NON BILANCIATA 2 IN 1)

Uscita di linea non bilanciata con presa jack da 6,3 mm. Il segnale audio presente è costituito da un mix di segnali dei canali riceventi 1 e 2 (CHANNEL 1 e CHANNEL 2). Il rapporto di volume tra i due canali può essere regolato coi regolatori di volume (4) dei canali 1 e 2.

TRASMETTITORE TASCABILE:

ENGLISH

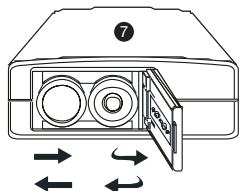
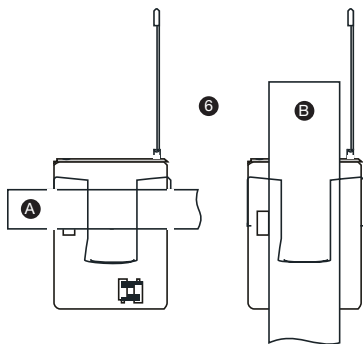
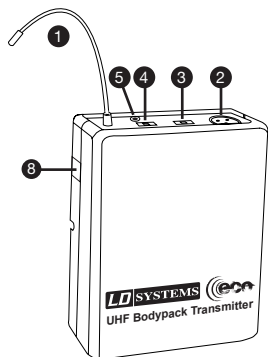
DEUTSCH

FRANCAIS

ESPAÑOL

POLSKI

ITALIANO



1 ANTENNA TRASMETTITORE

Per assicurare una trasmissione radio ottimale, non toccare, piegare o coprire l'antenna.

2 INPUT

Mini ingresso XLR a tre poli per i microfoni delle cuffie, Lavalier e degli strumenti, oltre che per il cavo chitarra. Nelle specifiche è riportato un elenco di tutti i modelli.

3 MIC/0dB/-10dB

Impostazione della sensibilità di ingresso.

LDWSEC02: impostare la sensibilità in modo che in presenza di segnale (voce, canto, chitarra...) il LED verde di segnale (NORM) del ricevitore si accenda. Non appena il LED PEAK rosso si accende, ridurre la sensibilità impostando l'interruttore a tre livelli MIC/0dB/-10dB sul valore immediatamente più basso per evitare distorsioni indesiderate.

LDWSEC02X2: impostare il livello in modo che in presenza di segnale (voce, canto...) il LED verde di segnale (AUDIO) del ricevitore si accenda. Non appena il segnale Audio inizia a distorcersi, ridurre la sensibilità impostando l'interruttore a tre livelli MIC/0 dB/-10 dB sul valore immediatamente più basso.

4 ON/STANDBY/OFF (ACCESO, IN ATTESA, SPENTO)

All'accensione del trasmettitore (interruttore in posizione STANDBY o ON) il LED rosso lampeggia brevemente per indicare lo stato delle pile e si spegne subito se le pile sono sufficientemente cariche. Nella posizione STANDBY il trasmettitore è in funzione ma con segnale audio silenziato.

5 LED DI STATO DELLE PILE

Quando si accende il LED rosso indicante lo stato delle pile, sostituire le pile immediatamente.

6 UTILIZZO DEL TRASMETTITORE TASCABILE

Fissare il trasmettitore alla cintura (A) o alla tracolla della chitarra (B) come illustrato accanto.

TRASMETTITORE TASCABILE:

7 SOSTITUZIONE DELLE PILE

Non appena il LED rosso indicante lo stato delle pile si accende, sostituire le pile premendo il coperchio del relativo scomparto sul punto segnato (OPEN) e spingendolo di lato.

Inserire due pile alcaline da 1,5 V di grandezza AA (LR6, mignon) come illustrato nella figura sul retro del trasmettitore, chiudere lo scomparto premendo il punto segnato (CLOSE) del coperchio e spingerlo quindi di lato.

Se l'impianto trasmettente resta inutilizzato a lungo, estrarre le pile dal relativo scomparto.

8 CHARGE (RICARICA)

Preso di bassa tensione per connettore coassiale da 3,5 mm per la ricarica di pile di grandezza AA (+ interno, - esterno).

- Utilizzare esclusivamente un caricatore adatto alle pile utilizzate e non superare il tempo massima di ricarica consentito!
- Accertarsi che le pile inserite nell'apposito scomparto siano attivate in sequenza!
- Non cercare mai di caricare pile non ricaricabili!

La mancata osservanza delle indicazioni sopra riportate può provocare pericolo di incendio ed esplosione!

ENGLISH

DEUTSCH

FRANCAIS

ESPAÑOL

POLSKI

ITALIANO

MICROFONO A MANO:

ENGLISH

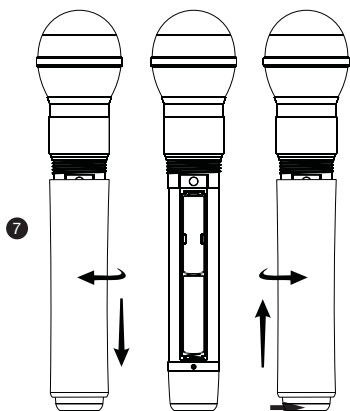
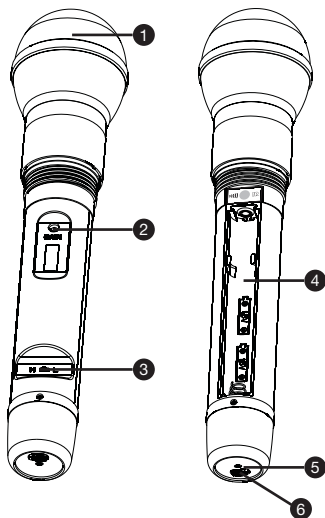
DEUTSCH

FRANÇAIS

ESPAÑOL

POLSKI

ITALIANO



1 TESTA DEL MICROFONO

Con capsula dinamica.

2 GAIN

Impostazione del volume del microfono. Ruotando il pomolo verso sinistra si abbassa il livello di segnale, verso destra si alza. LDWSEC02: impostare il livello in modo che in presenza di segnale (voce, canto...) il LED verde di segnale (NORM) del ricevitore si accenda. Non appena il LED PEAK rosso si accende, ridurre il livello adeguatamente per evitare l'insorgere di distorsioni indesiderate. LDWSEC02X2: impostare il livello in modo che in presenza di segnale (voce, canto...) il LED verde di segnale (AUDIO) del ricevitore si accenda. Non appena il segnale audio inizia a distorcersi, ridurre il livello adeguatamente.

3 RF POWER H/L

Per la maggior parte delle applicazioni, impostare l'interruttore su H (= potenza di trasmissione elevata). Per aumentare la durata utile delle pile, nelle applicazioni che implicano una distanza ridotta tra trasmettitore e ricevitore, è possibile impostare l'interruttore su L (= potenza di trasmissione ridotta). Prima dell'utilizzo in condizioni reali, verificare se la potenza di trasmissione ridotta è sufficiente.

4 SCOMPARTO PILE

Nell'apposito scomparto inserire due pile alcaline da 1,5 V di grandezza AA (LR6, mignon) come indicato in figura. Se l'impianto trasmettente resta inutilizzato a lungo, estrarre le pile dal relativo scomparto.

5 LED BATT

Quando si accende il LED rosso indicante lo stato delle pile, sostituire le pile immediatamente.

6 INTERRUITTORE ON/OFF

All'accensione del trasmettitore il LED rosso lampeggia brevemente per indicare lo stato delle pile e si spegne subito se le pile sono sufficientemente cariche.

7 SOSTITUZIONE DELLE PILE

Non appena il LED rosso indicante lo stato delle pile si accende, sostituire le pile del trasmettitore svitando il coperchio dell'apposito scomparto in senso antiorario e dopo aver sostituito le pile avvitarlo nel senso opposto.

OTTIMIZZAZIONE DEL SISTEMA RADIO:

- Orientare il trasmettitore verso il ricevitore (in modo da creare una "linea diretta" tra i dispositivi).
- Non posizionare il ricevitore vicino a oggetti/superfici metalliche o ad apparecchi digitali (lettori CD, computer ecc.).
- Posizionare il ricevitore a una distanza adeguata da una parete e ad almeno 1 m di altezza dal pavimento.
- Telefoni cellulari, apparecchi radio bidirezionali e simili possono causare disturbi al collegamento radio fra trasmettitore e ricevitore e non si devono utilizzare in prossimità dell'impianto trasmittente.

ENGLISH

DEUTSCH

FRANCAIS

ESPAÑOL

POLSKI

ITALIANO

RICERCA E SOLUZIONE DI GUASTI:

PROBLEMA	SPIE LUMINOSE	SOLUZIONE
Assenza di segnale audio o livello troppo basso	Ricevitore ECO2: non è acceso il LED dell'antenna A né dell'antenna B. Ricevitore ECO2X2: il LED RF non è acceso.	Verificare se il trasmettitore è acceso. Controllare le pile del trasmettitore.
	Ricevitore: il LED Power non si accende.	Controllare l'alimentazione elettrica
	Ricevitore ECO2: non è acceso il LED dell'antenna A né dell'antenna B. Ricevitore ECO2X2: il LED RF non è acceso. Trasmettitore: il dispositivo è acceso. Condizioni di carica delle pile OK.	Verificare se il trasmettitore e il ricevitore utilizzano la stessa radiofrequenza. Posizionare su H (= potenza di trasmissione elevata) l'interruttore GAIN del microfono a mano. Ridurre la distanza tra il trasmettitore e il ricevitore. Accertarsi che tra il trasmettitore e il ricevitore sussista un "contatto visivo" diretto. Verificare che le antenne del ricevitore siano rivolte verso l'alto e a V. Ridurre il livello di soppressione del rumore (MUTE LEVEL)
	Ricevitore ECO2: il LED dell'antenna A o dell'antenna B è acceso. Ricevitore ECO2X2: il LED RF è acceso. Trasmettitore tascabile: l'interruttore ON/STANDBY/OFF è posizionato su STANDBY.	Posizionare su ON l'interruttore ON/STANDBY/OFF del trasmettitore tascabile.
	Ricevitore ECO2: il LED dell'antenna A o dell'antenna B è acceso. Ricevitore ECO2X2: il LED RF è acceso. Ricevitore ECO2: il LED di segnale NORM non si accende in presenza del segnale audio. Ricevitore ECO2X2: il LED di segnale AUDIO, non si accende in presenza del segnale audio.	Aumentare il livello del segnale o la sensibilità del trasmettitore.
Distorsioni e interferenze.	Ricevitore: la spia del segnale radio è accesa.	Allontanare le possibili sorgenti di interferenza (dispositivi digitali, altri sistemi radio). Aumentare il volume della soppressione del rumore (MUTE LEVEL) del trasmettitore.
Distorsione del suono	Trasmettitore: il LED rosso indicante le condizioni delle pile è acceso. Ricevitore ECO2: il LED PEAK rosso del trasmettitore è acceso.	Sostituire le pile del trasmettitore. Ridurre il livello del segnale o la sensibilità del trasmettitore.

SPECIFICHE:
RICEVITORE

Denominazione del modello:	LDWSEC02R	LDWSEC02X2
Tipo di ricevitore:	Diversity	Non diversity
Modulazione:	FM	
Gamma di frequenze:	863,100 MHz - WSEC02R1 863,900 MHz - WSEC02R2 864,500 MHz - WSEC02R3 864,900 MHz - WSEC02R4	863,100 / 864,500 MHz - WSEC02X2R1 863,900 / 864,900 MHz - WSEC02X2R2
Canali:	1	2
Connettori per l'antenna:	Antenna fissa	
Risposta in frequenza:	60 - 16.000 Hz	
Silenziatore (squelch):	Livello di attenuazione	
Rapporto segnale/rumore:	>105 dB	
Uscita bilanciata:	XLR	2 XLR
Uscita non bilanciata:	Jack 6,3 mm	-
Uscita non bilanciata mix:	-	Jack 6,3 mm
Livello audio in uscita (bilanciato):	-12 dBV	
Livello audio in uscita (non bilanciato):	-18 dBV	
Comandi:	Volume	2 x Volume
Indicatori:	Acceso, indicatore RF antenna A/B, segnale audio, picco	Acceso, indicatore RF canale 1/2, canale del segnale audio 1/2
Tensione elettrica:	12 - 18 V DC, 300 mA	12 - 18 V DC, 300 mA
Intervallo temperatura di funzionamento:	-10 °C ... 45 °C	
Umidità relativa durante il funzionamento:	25% ... 85%	
Dimensioni (L x H x P):	235 x 44 x 118 mm	
Peso:	0,4 kg	0,4 kg
Accessori inclusi:	Alimentatore, cavo audio	Alimentatore, cavo audio

ENGLISH

DEUTSCH

FRANÇAIS

ESPAÑOL

POLSKI

ITALIANO

SPECIFICHE:

MICROFONO GELATO

Denominazione del modello:	LDWSEC02MD
Modulazione:	FM
Gamma di frequenze:	863,100 MHz - WSEC02MD1 863,900 MHz - WSEC02MD2 864,500 MHz - WSEC02MD3 864,900 MHz - WSEC02MD4
Canali:	1
Tipo di microfono:	Dinamico
Diagramma polare:	Cardioide
Risposta in frequenza:	60 - 16.000 Hz
Potenza RF in uscita:	10 mW
Comandi:	Acceso/spento, guadagno, potenza di trasmissione alta/bassa
Indicatori:	Batteria scarica
Alimentazione:	2 batterie di tipo AA
Autonomia:	Fino a 10 ore (a seconda delle batterie)
Intervallo temperatura di funzionamento:	-10 °C ... 45 °C
Umidità relativa di funzionamento:	25% ... 85%
Dimensioni (L x Ø):	250 x 53 mm
Peso:	0,28 kg
Accessori inclusi:	2 batterie di tipo AA

SPECIFICHE:

TRASMETTITORE BODYPACK

Denominazione del modello:	LDWSEC02BP
Modulazione:	FM
Gamma di frequenze:	863,100 MHz - WSEC02BP1 863,900 MHz - WSEC02BP2 864,500 MHz - WSEC02BP3 864,900 MHz - WSEC02BP4
Canali:	1
Ingresso:	Mini XLR a 3 pin
Risposta in frequenza:	60 - 16.000 Hz
Potenza RF in uscita:	10 mW
Comandi:	Acceso / stand-by / spento, commutatore guadagno a 3 posizioni
Indicatori:	Batteria scarica
Alimentazione:	2 batterie AA
Autonomia:	Fino a 10 ore (a seconda delle batterie)
Intervallo temperatura di funzionamento:	-10 °C ... 45 °C
Umidità relativa di funzionamento:	25% ... 85%
Dimensioni (L x H x P):	65 x 85 x 23 mm
Peso (senza batterie):	0,1 kg
Accessori inclusi:	2 batterie di tipo AA

ENGLISH

DEUTSCH

FRANCAIS

ESPAÑOL

POLSKI

ITALIANO

SPECIFICHE:

MICROFONO

Denominazione del modello:	LDWS100MH1	LDWS100MH3
Tipo di microfono:	Headset	Headset
Capsula:	Condensatore back-electret	Condensatore back-electret
Diagramma polare:	Cardioide	Cardioide
Risposta in frequenza:	20 - 20.000 Hz	70 - 16.000 Hz
Connettore:	Mini XLR a 3 pin	Mini XLR a 3 pin
Accessori inclusi:	Spugna antivento	Spugna antivento
Caratteristiche:	-	-
Denominazione del modello:	LDHSAE1	LDWS100ML
Tipo di microfono:	Headset	Microfono Lavalier
Capsula:	Condensatore back-electret	Condensatore back-electret
Diagramma polare:	Bidirezionale	Cardioide
Risposta in frequenza:	80 - 16.000 Hz	20 - 20.000 Hz
Connettore:	Mini XLR a 3 pin	Mini XLR a 3 pin
Accessori inclusi:	Spugna antivento	Spugna antivento
Caratteristiche:	Idrorepellente	-
Denominazione del modello:	LDWS1000MW	LDHSM1
Tipo di microfono:	Microfono per strumenti a fiato	Headset
Capsula:	Condensatore back-electret	Condensatore back-electret
Diagramma polare:	Cardioide	Riduzione del rumore
Risposta in frequenza:	50 - 18.000 Hz	70 - 16.000 Hz
Connettore:	Mini XLR a 3 pin	Mini XLR a 3 pin
Accessori inclusi:	Spugna antivento	Spugna antivento
Caratteristiche:	-	Idrorepellente

CAVO PER CHITARRA

Denominazione del modello:	LDWS100GC
Connettore 1:	Mini XLR a 3 pin
Connettore 2:	Jack 6,3 mm
Lunghezza:	1,5 m

DICHIARAZIONI DEL PRODUTTORE:

ENGLISH

DEUTSCH

FRANCAIS

ESPAÑOL

POLSKI

ITALIANO

GARANZIA DEL PRODUTTORE

Questa garanzia copre il prodotto Adam Hall della marca LDSYSTEMS da Lei acquistato. I diritti legali di garanzia verso il venditore non sono oggetto della presente garanzia. Questa garanzia costituisce piuttosto la base di altri diritti verso Adam Hall.

Con la presente garanzia, Adam Hall assicura che il prodotto acquistato presso Adam Hall o un partner di Adam Hall, in normali condizioni d'uso resterà privo di difetti di materiale e di lavorazione per un periodo di 2 anni dalla data di acquisto. Il periodo di garanzia inizia con la data dell'acquisto. La certificazione della data di acquisto, necessaria a rendere valido il diritto ai servizi di garanzia, avviene attraverso lo scontrino oppure con la bolla di spedizione riportanti la data di acquisto. L'acquirente ha diritto al servizio di garanzia alle condizioni e secondo le disposizioni riportate in questo documento, qualora sia necessaria una riparazione durante il periodo di durata della garanzia.

Questa garanzia vale solo per l'acquirente originale del prodotto distribuito da Adam Hall e non è trasferibile a terzi cui sia stata trasferita la proprietà del prodotto Adam Hall da parte dell'acquirente originale.

Durante il periodo di validità della garanzia, i componenti difettosi o il prodotto Adam Hall vengono riparati o sostituiti. Tutti i componenti sostituiti e/o rimossi durante la presente garanzia diventano proprietà di Adam Hall.

Nell'improbabile caso in cui il prodotto Adam Hall acquistato presenti ripetutamente un difetto, Adam Hall può decidere, a propria discrezione, di sostituire il suddetto prodotto con un prodotto simile che offra almeno le stesse prestazioni.

Adam Hall non garantisce il funzionamento privo di guasti o difetti del prodotto. Adam Hall esclude qualsiasi responsabilità per danni attribuibili alla mancata osservanza delle istruzioni incluse nella dotazione.

Questa garanzia non è estesa a quanto segue:

- Parti soggette ad usura (ad es. batteria, tubi)
- Apparecchi di cui sia stato rimosso o danneggiato il numero di serie o sui quali siano insorti difetti in conseguenza di un incidente
- Utilizzo non conforme o errato o altre cause esterne
- Apparecchi che non siano stati utilizzati conformemente ai parametri di esercizio, stabiliti nei documenti per l'utente inclusi nella dotazione del prodotto
- Apparecchi che siano stati riparati a causa dell'impiego di parti non prodotto
- Apparecchi che siano stati sottoposti a interventi di manutenzione, modifica o riparazione da terzi che non siano Adam Hall o un partner di assistenza autorizzato

Le presenti disposizioni e condizioni costituiscono l'accordo di garanzia completo ed esclusivo tra l'Acquirente e Adam Hall per il prodotto Adam Hall acquistato.

Questa garanzia è valida solo all'interno del territorio europeo. Fuori dall'Europa, si prega di rivolgersi ai nostri partner rivenditori ufficiali.

DICHIARAZIONI DEL PRODUTTORE:

LIMITAZIONE DI RESPONSABILITÀ

Laddove nei prodotti hardware Adam Hall insorgessero difetti di materiale o di fabbricazione (in conformità con la dichiarazione di garanzia di cui sopra) durante il periodo di garanzia, il Cliente usufruirebbe, come unico ed esclusivo diritto previsto dalla presente garanzia, della riparazione o sostituzione dell'apparecchio. La massima responsabilità di Adam Hall è limitata, come espressamente indicato nella presente garanzia, al prezzo d'acquisto o ai costi di riparazione o sostituzione (optando per l'importo minore) dei componenti che risultano difettosi nonostante siano stati correttamente utilizzati.

Adam Hall non è responsabile di alcun danno provocato dal prodotto o dal suo malfunzionamento, ivi compresi mancati guadagni, perdite e danni speciali indiretti o conseguenti. Adam Hall inoltre non è responsabile verso reclami presentati da terzi né verso richieste avanzate dal cliente a nome di terzi.

La presente limitazione di responsabilità vale indipendentemente dal fatto che i danni siano oggetto di procedimenti giudiziari o che le richieste di risarcimento danni siano presentate ai sensi della presente garanzia o per atti illeciti (incluse negligenza e responsabilità oggettiva) o per pretese contrattuali o di altra natura, e non può essere né annullata né modificata da nessuno. La presente limitazione di responsabilità è valida anche nel caso in cui l'utente abbia avvisato Adam Hall o un rappresentante autorizzato circa la possibilità di tali danni. Tale limitazione non è però valevole in caso di richieste per risarcimento danni in relazione a danni a persone.

La garanzia del produttore accorda all'Acquirente determinati diritti; possono tuttavia competere ulteriori diritti in funzione della giurisdizione di pertinenza (stato o regione). Si consiglia quindi di consultare le leggi applicabili per determinare in modo esaustivo i propri diritti.

RICORSO ALLA **GARANZIA**

Per usufruire della garanzia, rivolgersi direttamente ad Adam Hall o al rivenditore autorizzato Adam Hall, presso il quale è stato acquistato il prodotto.

DICHIARAZIONE DI **CONFORMITÀ CE**

I dispositivi distribuiti da Adam Hall ottemperano (ove del caso) ai requisiti essenziali e ad altre specifiche rilevanti delle direttive 1999/5/CE (R&TTE - Apparecchiature radio e apparecchiature terminali di telecomunicazione), 2004/108/CE (EMC - Compatibilità elettromagnetica) e 2006/95/CE (LVD - Materiale elettrico a bassa tensione). Per ulteriori informazioni, consultare il sito www.adamhall.com.

DICHIARAZIONI DEL PRODUTTORE:

CORRETTO SMALTIMENTO DEL PRODOTTO

(In vigore nell'Unione Europea e in altri paesi europei in cui si attui la raccolta differenziata)



Questo simbolo apposto sul prodotto o sui relativi documenti indica che, per evitare danni all'ambiente e alle persone causati da uno smaltimento incontrollato dei rifiuti, alla fine del suo ciclo di vita l'apparecchio non deve essere smaltito insieme ai normali rifiuti domestici. Il prodotto deve quindi essere smaltito separatamente da altri rifiuti e riciclato nell'ottica dell'incentivazione di cicli economici sostenibili.

I clienti privati possono richiedere informazioni sulle possibilità di smaltimento ecosostenibile al rivenditore presso il quale è stato acquistato il prodotto o presso le autorità regionali competenti.

I clienti aziendali devono invece contattare il proprio fornitore e controllare le eventuali condizioni contrattuali inerenti allo smaltimento degli apparecchi. Questo prodotto non deve essere smaltito assieme ad altri rifiuti industriali.

PROTEZIONE DELL'AMBIENTE E RISPARMIO ENERGETICO

Il risparmio energetico contribuisce attivamente alla protezione ambientale. Spegnerne tutti i dispositivi elettrici non utilizzati. Staccare la spina dei dispositivi non utilizzati per evitare che consumino corrente in modalità stand-by.

Adam Hall GmbH, tutti i diritti riservati. I dati tecnici e le caratteristiche del prodotto possono essere soggetti a modifiche. È vietata la copia, la traduzione e qualsiasi altra riproduzione delle presenti istruzioni d'uso o di parte di esse senza previa autorizzazione.

ENGLISH

DEUTSCH

FRANCAIS

ESPAÑOL

POLSKI

ITALIANO





WWW.LD-SYSTEMS.COM

Adam Hall GmbH | Daimlerstrasse 9 | 61267 Neu-Anspach | Germany
Tel. +49(0)6081/9419-0 | Fax +49(0)6081/9419-1000
web : www.adamhall.com e-mail : mail@adamhall.com

