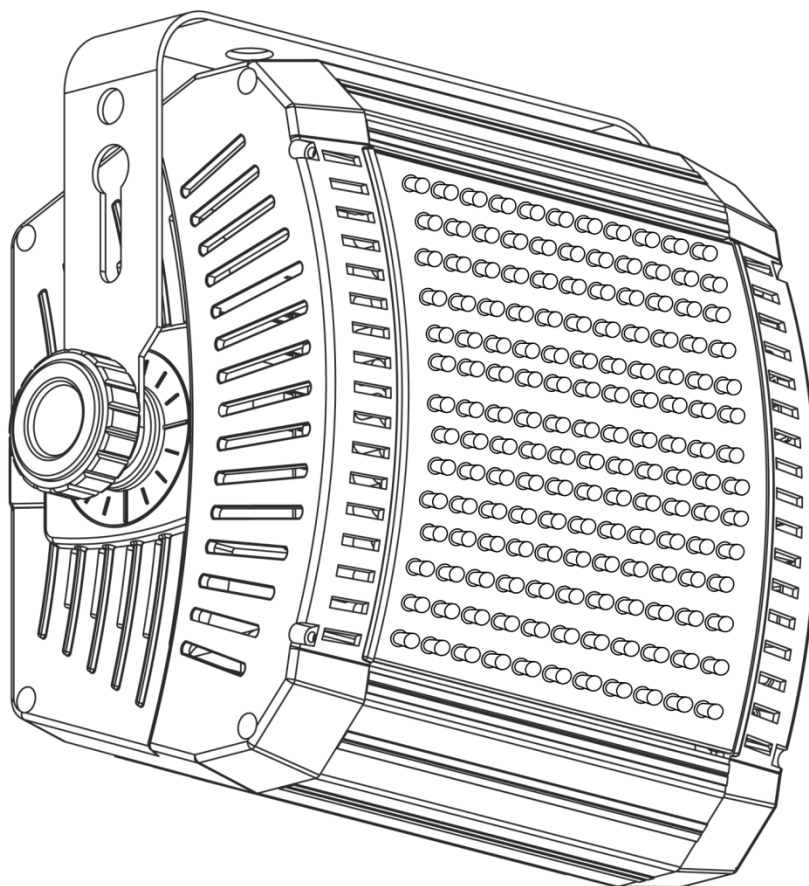




MANUAL



ENGLISH

Technoflash 168

V1

Ordercode: 40294

Table of contents

Warning	2
Safety Instructions	2
Operating Determinations	4
Rigging	4
Connection with the mains.....	5
Return Procedure	6
Claims.....	6
Description of the device	7
Features	7
Frontside.....	7
Backside	8
Installation	8
Set Up and Operation	8
Control Modes	9
One Technoflash (Strobe Mode)	9
One Technoflash (Sound-controlled)	9
One Technoflash (Full ON)	9
Multiple Technoflashes (Master/Slave control)	10
Multiple Technoflashes (DMX Control)	11
Fixture Linking	12
Data Cabling	12
Dipswitch setting for DMX mode	13
DMX Address Quick Reference chart.....	14
DMX Channels	15
Maintenance	15
Replacing the Fuse	15
Troubleshooting	16
No Light	16
No Response to DMX.....	16
Product Specifications	18
Dimensions	19
Notes	20

Warning



**For your own safety, please read this user manual carefully
before your initial start-up!**

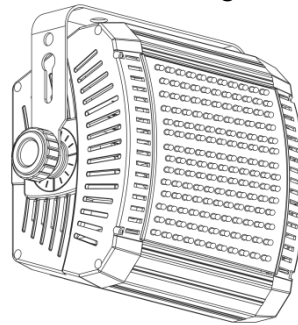


Unpacking Instructions

Immediately upon receiving this product, carefully unpack the carton and check the contents to ensure that all parts are present, and have been received in good condition. Notify the dealer immediately and retain packing material for inspection if any parts appear damaged from shipping or the carton itself shows signs of mishandling. Save the carton and all packing materials. In the event that a fixture must be returned to the factory, it is important that the fixture be returned in the original factory box and packing.

Your shipment includes:

- Showtec Technoflash 168
- IEC power cable (1,5 m)
- User manual



LED Expected Lifespan

LEDs gradually decline in brightness over time. HEAT is the dominant factor that leads to the acceleration of this decline. Packaged in clusters, LEDs exhibit higher operating temperatures than in ideal or singular optimum conditions. For this reason, when all color LEDs are used at their fullest intensity, life of the LEDs is significantly reduced. If improving the lifespan is of higher priority, place care in providing for lower operational temperatures. This may include climatic-environmental and the reduction of overall projection intensity.



CAUTION!

**Keep this device away from rain and moisture!
Unplug mains lead before opening the housing!**



Safety Instructions

Every person involved with the installation, operation and maintenance of this device has to:

- be qualified
- follow the instructions of this manual



**CAUTION! Be careful with your operations.
With a dangerous voltage you can suffer
a dangerous electric shock when touching the wires!**



Before the initial start-up, please make sure that there is no damage caused by transportation. Should there be any, consult your dealer and do not use the device.

To maintain perfect condition and to ensure a safe operation, it is absolutely necessary for the user to follow the safety instructions and warning notes contained in this manual.

Please consider that damages caused by manual modifications to the device are not subject to warranty.

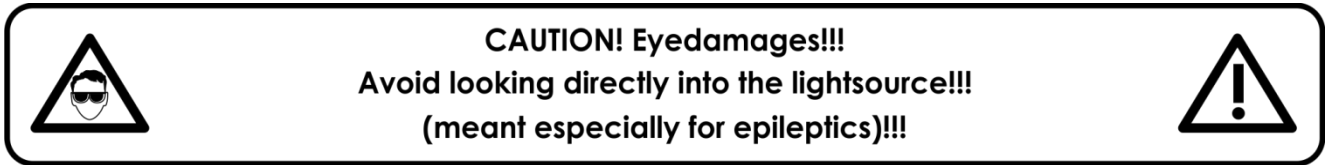
This device contains no user-serviceable parts. Refer servicing to qualified technicians only.

IMPORTANT:

The manufacturer will not accept liability for any resulting damages caused by the non-observance of this manual or any unauthorized modification to the device.

- Never let the power cord come into contact with other cables! Handle the power cord and all connections with the mains with particular caution!
- Never remove warning or informative labels from the unit.
- Never use anything to cover the ground contact.
- Never lift the fixture holding it by the projector-head, as the mechanics may be damaged. Always hold the fixture by the transport handles.
- Never place any material over the lens.
- Never look directly into the light source.
- Never leave any cables lying around.
- Do not insert objects into air vents.
- Do not connect this device to a dimmerpack.
- Do not switch the device on and off in short intervals, as this will reduce the device's life.
- Do not touch the device's housing bare-handed during its operation (housing becomes very hot). Allow the fixture to cool for at least 5 minutes before handling.
- Do not shake the device. Avoid brute force when installing or operating the device.
- Only use the device indoors, avoid contact with water or other liquids.
- Only operate the fixture after having checked if the housing is firmly closed and all screws are tightly fastened.
- Only operate the device after having familiarized with its functions.
- Avoid flames and do not put close to flammable liquids or gases.
- Always keep the case closed while operating.
- Always allow a free air space of at least 50 cm around the unit for ventilation.
- Always disconnect power from the mains, when device is not used or before cleaning! Only handle the power cord holding it by the plug. Never pull out the plug by tugging the power cord.
- Make sure that the device is not exposed to extreme heat, moisture or dust.
- Make sure that the available voltage is not higher than stated on the rear panel.
- Make sure that the power cord is never crimped or damaged. Check the device and the power cord from time to time.
- If the lens is obviously damaged, it has to be replaced.
- If device was dropped or struck, disconnect mains power supply immediately. Have a qualified engineer inspect for safety before operating.
- If the device has been exposed to drastic temperature fluctuation (e.g. after transportation), do not switch it on immediately. The arising condensation water might damage your device. Leave the device switched off until it has reached room temperature.
- If your Showtec device fails to work properly, discontinue the use immediately. Pack the unit securely (preferably in the original packing material), and return it to your Showtec dealer for service.
- For adult use only. Strobe must be installed beyond the reach of children. Never leave the unit running unattended.
- Never attempt to bypass the thermostatic switch or fuses.
- For replacement use fuses of same type and rating only.

- The user is responsible for correct positioning and operating of the Technoflash. The manufacturer will not accept liability for damages caused by the misuse or incorrect installation of this device.
- This device falls under protection class I. Therefore it is essential to connect the yellow/green conductor to earth.
- During the initial start-up some smoke or smell may arise. This is a normal process and does not necessarily mean that the device is defective.
- Repairs, servicing and electric connection must be carried out by a qualified technician.
- WARRANTY: Till one year after date of purchase.



Operating Determinations

- This device is not designed for permanent operation. Consistent operation breaks will ensure that the device will serve you for a long time without defects.
- The minimum distance between light output and the illuminated surface must be bigger than 1 meter.
- The maximum ambient temperature $t_a = 40^\circ\text{C}$ must never be exceeded.
- The relative humidity must not exceed 50 % with an ambient temperature of 40°C .
- If this device is operated in any other way than the one described in this manual, the product may suffer damages and the warranty becomes void.
- Any other operation may lead to dangers like short-circuit, burns, electric shock, crash, etc.

You endanger your own safety and the safety of others!

Rigging

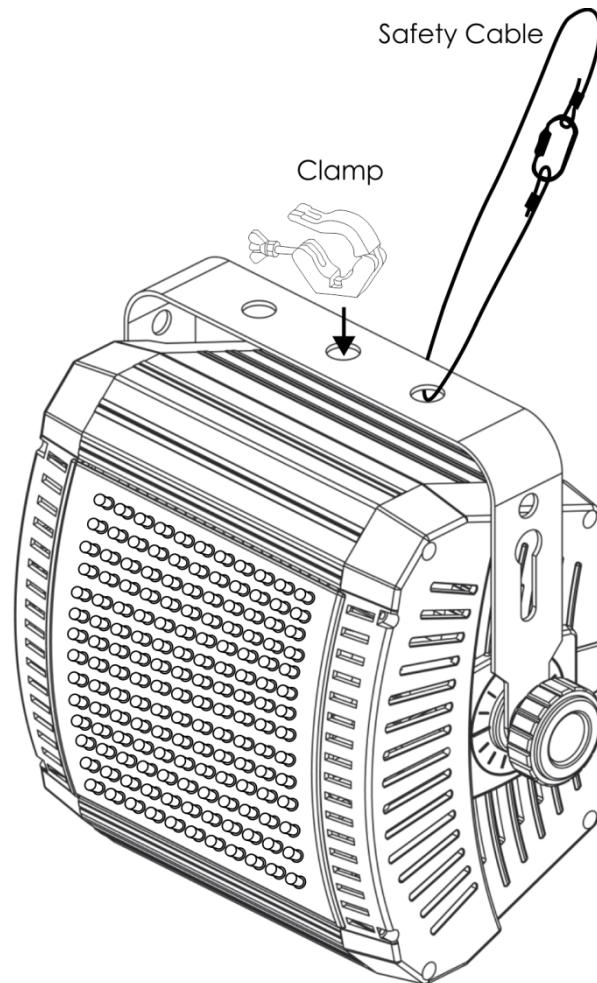
Please follow the European and national guidelines concerning rigging, trussing and all other safety issues.

Do not attempt the installation yourself !

Always let the installation be carried out by an authorized dealer !

Procedure:

- If the strobe is lowered from the ceiling or high joists, professional trussing systems have to be used.
- Use a clamp to mount the strobe, with the mounting bracket, to the trussing system.
- The strobe must never be fixed swinging freely in the room.
- The installation must always be secured with a safety attachment, e.g. an appropriate safety net or safety cable.
- When rigging, derigging or servicing the strobe, always make sure, that the area below the installation site is secured and that there are not any unauthorized people around.



The Technoflash can be mounted to any kind of truss with a clamp.

Improper installation can cause serious injuries and/or damage of property!

Connection with the mains

Connect the device to the mains with the power-plug.

Always check if the right color cable is connected to the right place.

International	EU Cable	UK Cable	US Cable	Pin
L	BROWN	RED	YELLOW/COPPER	PHASE
N	BLUE	BLACK	SILVER	NEUTRAL
⊕	YELLOW/GREEN	GREEN	GREEN	PROTECTIVE GROUND

Make sure that the device is always properly connected to the earth!

Improper installation can cause serious injuries and/or damage of property!



Return Procedure

Returned merchandise must be sent prepaid and in the original packing, call tags will not be issued. Package must be clearly labeled with a Return Authorization Number (RMA number). Products returned without an RMA number will be refused. Highlite will not accept the returned goods or any responsibility. Call Highlite 0031-455667723 or mail offersales@highlite.nl and request an RMA prior to shipping the fixture. Be prepared to provide the model number, serial number and a brief description of the cause for the return. Be sure to properly pack fixture, any shipping damage resulting from inadequate packaging is the customer's responsibility. Highlite reserves the right to use its own discretion to repair or replace product(s). As a suggestion, proper UPS packing or double-boxing is always a safe method to use.

Note: If you are given an RMA number, please include the following information on a piece of paper inside the box:

- 01) Your name
- 02) Your address
- 03) Your phone number
- 04) A brief description of the symptoms

Claims

The client has the obligation to check the delivered goods immediately upon delivery for any shortcomings and/or visible defects, or perform this check after our announcement that the goods are at their disposal. Damage incurred in shipping is the responsibility of the shipper; therefore the damage must be reported to the carrier upon receipt of merchandise.

It is the customer's responsibility to report and submit claims with the shipper in the event that a fixture is damaged due to shipping. Transportation damage has to be reported to us within one day after receipt of the delivery.

Any return shipment has to be made post-paid at all times. Return shipments must be accompanied with a letter defining the reason for return shipment. Non-prepaid return shipments will be refused, unless agreed otherwise in writing.

Complaints against us must be prepared in writing or sent by fax within 10 working days after receipt of the invoice. After this period complaints will not be handled anymore.

Complaints will only then be considered if the client has so far complied with all parts of the agreement, regardless of the agreement from which the obligation is resulting.

Description of the device

Features

The Showtec Technoflash 168 is a strobe effect with high output and great effects.

- IEC daisy chain
- Powerful light output
- 168 CW LEDs
- Cool White Strobe
- The right solution for mobile DJ, small clubs and fixed installation
- Built-in speed and intensity adjustments
- Input Voltage: 100-240VAC, 60/50 Hz
- Continuous Power consumption: 32W
- Light Source: 168 x 0,25W (20mA)
- DMX-control via standard DMX-controller
- Lux @2m: 500
- Control Modes: Auto, DMX-512, Master/Slave, Sound-controlled
- DMX Channels: 2
- Strobe frequency: 0-12 Hz
- Power connector: IEC in-&output
- Data Connections: XLR IN/OUT (XLR 3-pin)
- Fuse: F1A/250V
- Dimensions: 220 x 238 x 140mm (LxWxH)
- Weight: 1 Kg

Frontside

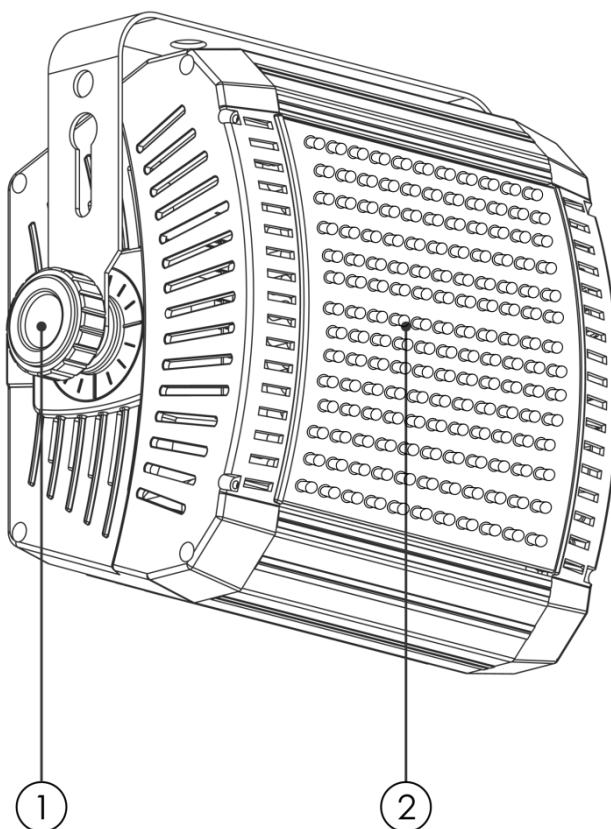


Fig. 01

- 01) Mounting brackets with inclination screw
02) 168 x 0,25W (20mA)

Backside

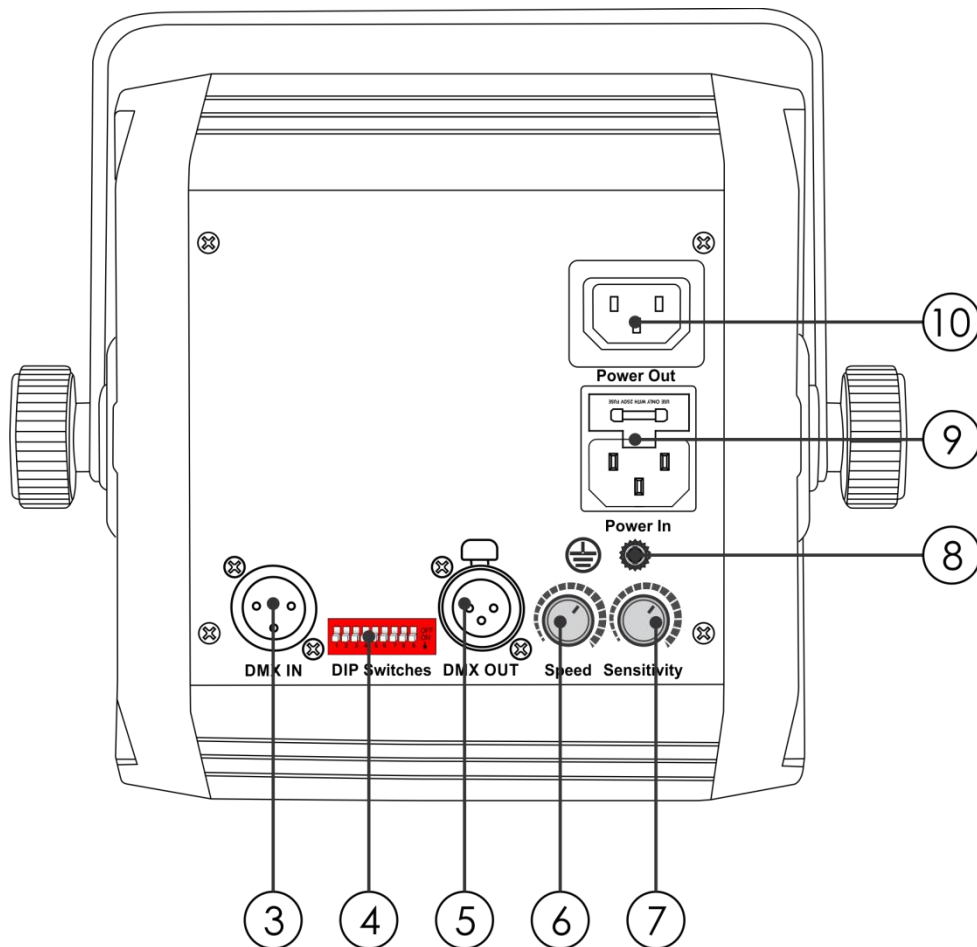


Fig. 02

- 03) 3-pin DMX signal connector IN
- 04) Dipswitches
- 05) 3-pin DMX signal connector OUT
- 06) Speed Control
- 07) Sensitivity
- 08) Ground/earth connection
- 09) IEC power connector 100-240VAC IN + Fuse F1 A/250V
- 10) IEC power connector 100-240VAC OUT

Installation

Remove all packing materials from the Technoflash 168. Check if all foam and plastic padding is removed. Connect all cables.

Do not supply power before the whole system is set up and connected properly.

Always disconnect from electric mains power supply before cleaning or servicing.

Damages caused by non-observance are not subject to warranty.

Set Up and Operation

Follow the directions below, as they pertain to your preferred operation mode.

Before plugging the unit in, always make sure that the power supply matches the product specification voltage. Do not attempt to operate a 120V specification product on 230V power, or vice versa.

Connect the device to the main power supply. The device can be sound-controlled as it is equipped with a built-in microphone.

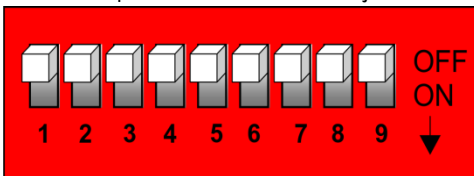
Control Modes

There are 5 modes:

- Strobe
- Sound-controlled
- Full ON
- Master/Slave
- DMX-512 (2CH)

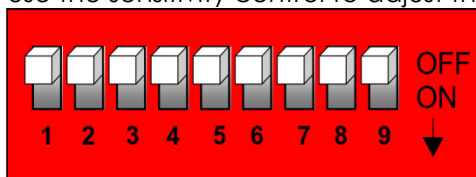
One Technoflash (Strobe Mode)

- 01) Fasten the effect light onto firm trussing. Leave at least 0,5 meter on all sides for air circulation.
- 02) Use the safety cable which is included.
- 03) When the Technoflash is not connected by a DMX-cable, it functions as a stand-alone device.
- 04) All Dipswitches must always be set to OFF for Strobe Mode.
- 05) Use the speed control to adjust the strobe speed from slow to fast.



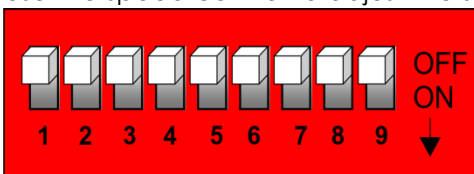
One Technoflash (Sound-controlled)

- 01) Fasten the effect light to a firm trussing. Leave at least 0,5 meter on all sides for air circulation.
- 02) Plug the end of the electric mains power cord into a proper electric power supply socket.
- 03) All Dipswitches must always be set to OFF for Sound-controlled Mode
- 04) Turn on the music. If the device is set to sound-control, then the Technoflash will react to the beat of the music.
- 05) Turn the Speed Adjustment knob counterclockwise to the minimum position.
- 06) Use the sensitivity control to adjust the audio sensitivity from low to high sensitivity.



One Technoflash (Full ON)

- 01) Fasten the effect light onto firm trussing. Leave at least 0,5 meter on all sides for air circulation.
- 02) Use the safety cable which is included.
- 03) When the Technoflash is not connected by a DMX-cable, it functions as a stand-alone device.
- 04) All Dipswitches must always be set to OFF for Full ON Mode.
- 05) Use the speed control to adjust the strobe speed.



Due to its innovative design, the Technoflash can strobe all night. Continuous Full-On operation should **not** be used for more than 30 minutes at 120V or 15 minutes at 230V. This device is intended to be used as a strobe and NOT as a wall painter light effect.

Multiple Technoflashes (Master/Slave control)

- 01) Fasten the effect light onto firm trussing. Leave at least 0,5 meter on all sides for air circulation.
- 02) Use a 3-pin XLR cable to connect the Technoflash.

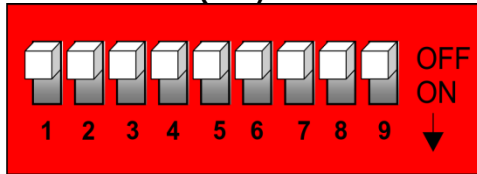
The pins:



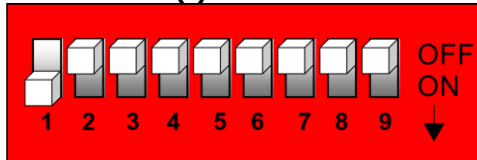
- 01) Earth
- 02) Signal -
- 03) Signal +

- 03) Link the units as shown in fig. 03. Connect the first unit's DMX "out" socket with the second unit's "in" socket, using a DMX-signal cable. Repeat this process to link the second, third, and fourth units. You can use the same functions on the master device as described on page 9 (Strobe Mode or Sound-controlled Mode). This means that you can set your desired operation mode on the master device and all slave devices will react the same as the master device.

Master Device (Only in Strobe or Sound-controlled Mode)



Slave Device(s)



Multiple Technoflashes (Master/Slave control)

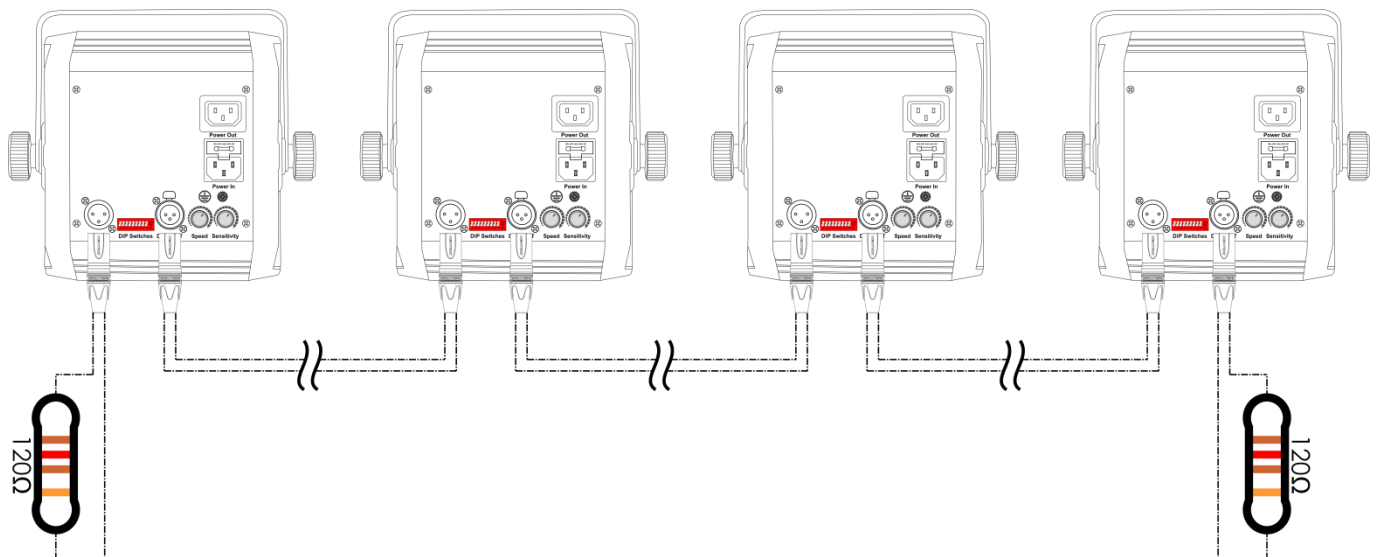
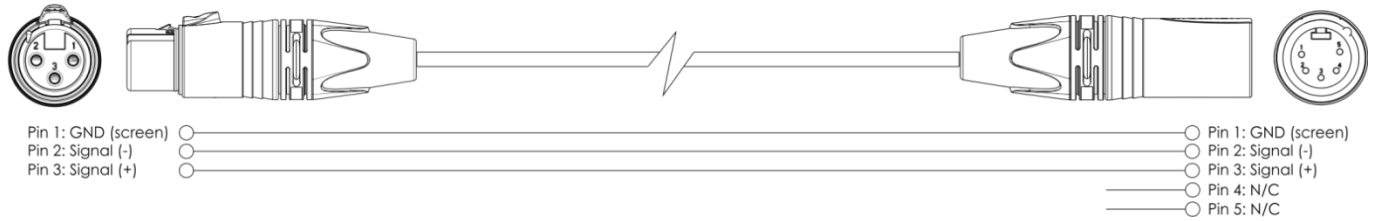
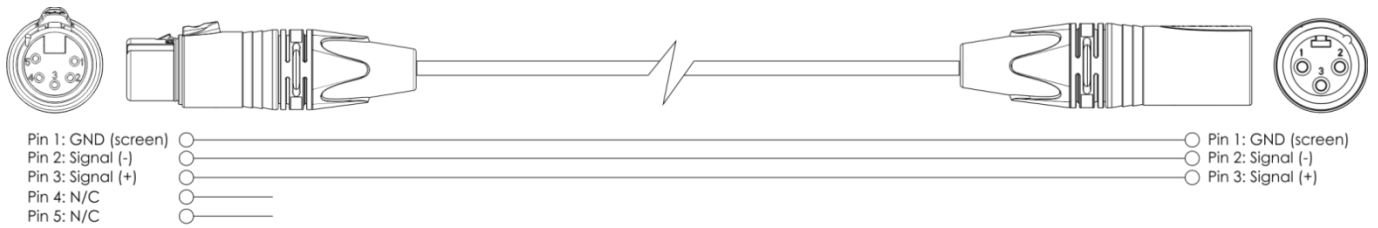


Fig. 03

Multiple Technoflashes (DMX Control)

- 01) Fasten the effect light to a firm trussing. Leave at least 0,5 meter on all sides for air circulation.
- 02) Always use a safety cable (ordercode 70140 / 70141).
- 03) Use a 3-pin XLR cable to connect the Technoflashes and other devices.



- 04) Link the units as shown in fig. 04. Connect the first unit's DMX "out" socket with the second unit's "in" socket, using a DMX-signal cable. Repeat this process to link the second, third, and fourth units.
- 05) Supply electric power: Plug electric mains power cords into each unit's IEC socket, then plug the other end of the mains power cord into proper electric power supply sockets, starting with the first unit. Do not supply power before the whole system is set up and connected properly.

Multiple Technoflashes DMX Set Up

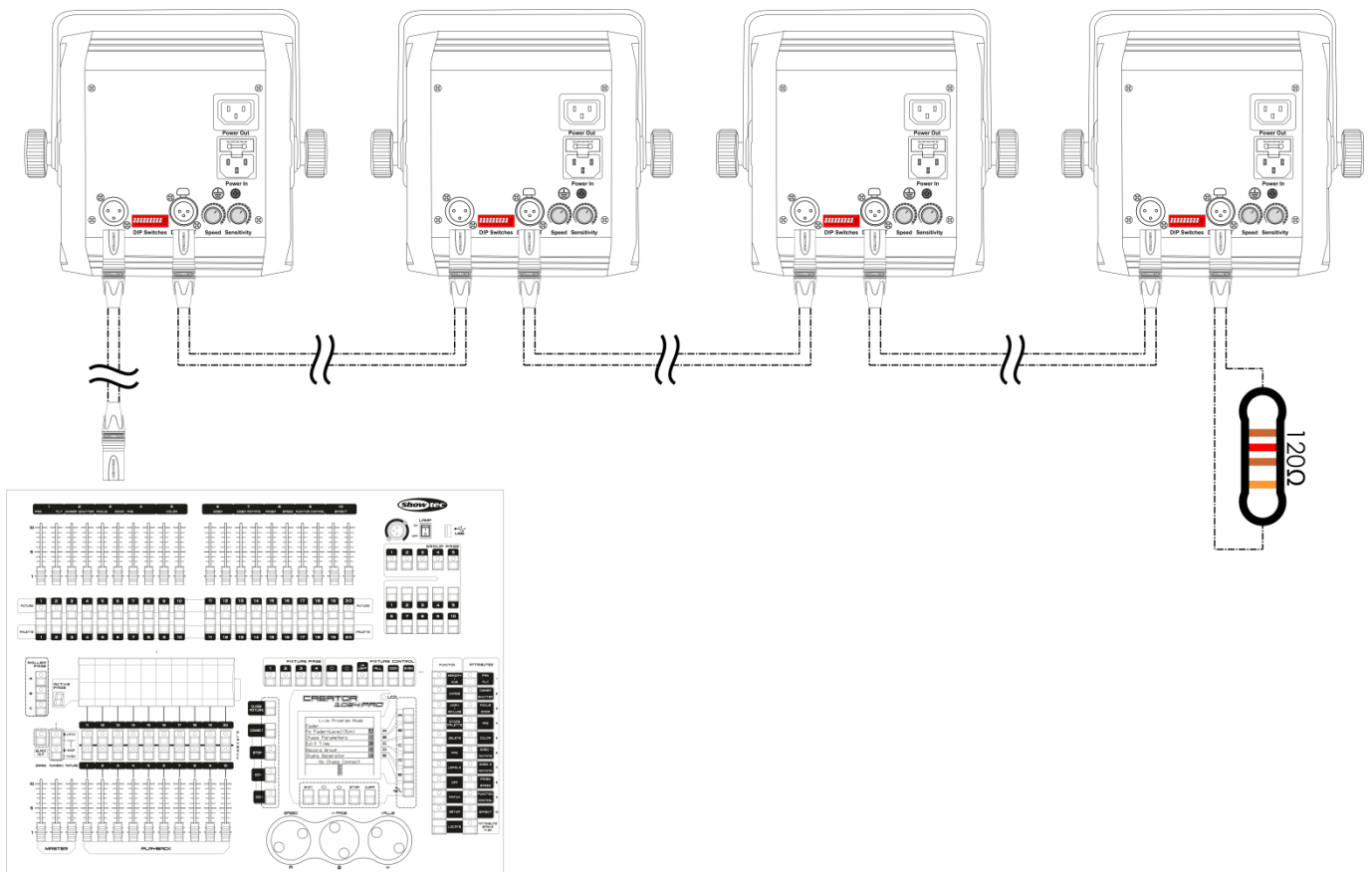


Fig. 04

Note : Link all cables before connecting electric power

Fixture Linking

You will need a serial data link to run light shows of one or more fixtures using a DMX-512 controller or to run synchronized shows of two or more fixtures set to a master/slave operating mode. The combined number of channels required by all the fixtures on a serial data link determines the number of fixtures the data link can support.

Important: Fixtures on a serial data link must be daisy-chained in a single line. To comply with the EIA-485 standard, no more than 30 devices should be connected on one data link. Connecting more than 30 fixtures on one serial data link without the use of a DMX optically isolated splitter may result in deterioration of the digital DMX signal.



Maximum recommended DMX data link distance: 100 meters

Maximum recommended number of fixtures on a DMX data link: 30 fixtures

Maximum recommended number of fixtures on a IEC Power link: 168 units @120V

Maximum recommended number of fixtures on a IEC Power link: 57 units @240V

Data Cabling

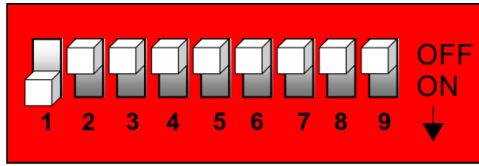
To link fixtures together, you must obtain data cables. You can purchase DAP Audio certified DMX cables directly from a dealer/distributor or construct your own cable. If you choose to create your own cable, please use data-grade cables that can carry a high quality signal and are less prone to electromagnetic interference.

DAP Audio DMX Data Cables

- DAP Audio Basic microphone cable for allround use. bal. XLR/M 3-pin > XLR/F 3-pin. **Ordercode** FL01150 (1,5 m), FL013 (3 m), FL016 (6 m), FL0110 (10 m), FL0115 (15 m), FL0120 (20 m).
- DAP Audio X-type data cable XLR/M 3-pin > XLR/F 3-pin. **Ordercode** FLX0175 (0,75 m), FLX01150 (1,5 m), FLX013 (3 m), FLX016 (6 m), FLX0110 (10 m).
- DAP Audio cable for the demanding user with exceptional audio-qualities and connector made by Neutrik®. **Ordercode** FL71150 (1,5 m), FL713 (3 m), FL716 (6 m), FL7110 (10 m).
- DAP Audio cable for the demanding user with exceptional audio-qualities and connector made by Neutrik®. **Ordercode** FL7275 (0,75 m), FL72150 (1,5 m), FL723 (3 m), FL726 (6 m), FL7210 (10 m).
- DAP Audio 110 Ohm cable with digital signal transmission. **Ordercode** FL0975 (0,75 m), FL09150 (1,5 m), FL093 (3 m), FL096 (6 m), FL0910 (10 m), FL0915 (15 m), FL0920 (20 m).

Dipswitch setting for DMX mode

DMX products must have their own "address" to receive DMX signals. Addresses on the controller are set by flipping the appropriate DMX Dip switches #1-#9.



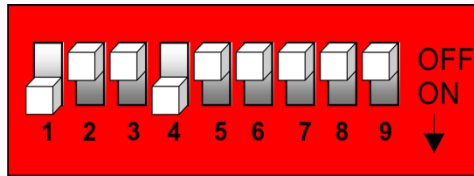
Starting address: DMX channel 1

You need to know that DMX address settings are the sum of the dip switch values. A standard DMX address for a Spectral, which has 2 channels is as follow:

Example:

Spectral **Address value** **DMX Dip Switches "On"**
 Unit 5 9 #1 and #4

Switch Value
 #1 1
 #4 8
 Total sum: 9



Explanation: Since each unit has 3 channels, each address advances 3 values (See Address Value above). Once address values are determined, add DMX dip switch values to obtain the appropriate address (DMX Dip Switches "ON") for each unit. Flip appropriate DMX dip switches on each unit.

Example:

- 01) If you want to give a Technoflash DMX address 133, you first have to find the number 133 in the DMX Chart. (See page 14)
- 02) Then look at the left side (Dip Switches #1-#5) horizontally from 133. In the Table you'll see #1=ON, #2=OFF, #3=ON, #4=OFF, #5=OFF.
- 03) Finally look at the upper side of the table (Dip Switches #6-#9) vertically from 133. In the Table you'll see #6=OFF, #7=OFF, #8=ON, #9=OFF.

DMX Address Quick Reference Chart

DMX DIP SWITCH SET 0=OFF 1=ON					#9	0	0	0	0	0	0
					#8	0	0	0	0	1	1
					#7	0	0	1	1	0	0
					#6	0	1	0	1	0	1
#1	#2	#3	#4	#5							
0	0	0	0	0							
1	0	0	0	0							
0	1	0	0	0							
1	1	0	0	0							
0	0	1	0	0							
1	0	1	0	0							
0	1	1	0	0							

	32	64	96	128	160
1	33	65	97	129	161
2	34	66	98	130	162
3	35	67	99	131	163
4	36	68	100	132	164
5	37	69	101	133	165
6	38	70	102	134	166

DMX Address Quick Reference Chart

Dip Switch Position

DMX DIP SWITCH SET 0=OFF 1=ON					Dip Switch Position																										
					#9	0	0	0	0	0	0	0	0	0	1	1	1	1	1	1	1	1	1	1	1	1	1	1	1	1	
					#8	0	0	0	0	1	1	1	1	0	0	0	0	1	1	1	1	0	0	0	0	1	1	1	1	1	1
					#7	0	0	1	1	0	0	1	1	0	0	1	1	0	0	1	1	0	0	1	1	0	0	1	1	1	1
					#6	0	1	0	1	0	1	0	1	0	1	0	1	0	1	0	1	0	1	0	1	0	1	0	1	0	1
#1	#2	#3	#4	#5																											
0	0	0	0	0		32	64	96	128	160	192	224	256	288	320	352	384	416	448	480											
1	0	0	0	0	1	33	65	97	129	161	193	225	257	289	321	353	385	417	449	481											
0	1	0	0	0	2	34	66	98	130	162	194	226	258	290	322	354	386	418	450	482											
1	1	0	0	0	3	35	67	99	131	163	195	227	259	291	323	355	387	419	451	483											
0	0	1	0	0	4	36	68	100	132	164	196	228	260	292	324	356	388	420	452	484											
1	0	1	0	0	5	37	69	101	133	165	197	229	261	293	325	357	389	421	453	485											
0	1	1	0	0	6	38	70	102	134	166	198	230	262	294	326	358	390	422	454	486											
1	1	1	0	0	7	39	71	103	135	167	199	231	263	295	327	359	391	423	455	487											
0	0	0	1	0	8	40	72	104	136	168	200	232	264	296	328	360	392	424	456	488											
1	0	0	1	0	9	41	73	105	137	169	201	233	265	297	329	361	393	425	457	489											
0	1	0	1	0	10	42	74	106	138	170	202	234	266	298	330	362	394	426	458	490											
1	1	0	1	0	11	43	75	107	139	171	203	235	267	299	331	363	395	427	459	491											
0	0	1	1	0	12	44	76	108	140	172	204	236	268	300	332	364	396	428	460	492											
1	0	1	1	0	13	45	77	109	141	173	205	237	269	301	333	365	397	429	461	493											
0	1	1	1	0	14	46	78	110	142	174	206	238	270	302	334	366	398	430	462	494											
1	1	1	1	0	15	47	79	111	143	175	207	239	271	303	335	367	399	431	463	495											
0	0	0	0	1	16	48	80	112	144	176	208	240	272	304	336	368	400	432	464	496											
1	0	0	0	1	17	49	81	113	145	177	209	241	273	305	337	369	401	433	465	497											
0	1	0	0	1	18	50	82	114	146	178	210	242	274	306	338	370	402	434	466	498											
1	1	0	0	1	19	51	83	115	147	179	211	243	275	307	339	371	403	435	467	499											
0	0	1	0	1	20	52	84	116	148	180	212	244	276	308	340	372	404	436	468	500											
1	0	1	0	1	21	53	85	117	149	181	213	245	277	309	341	373	405	437	469	501											
0	1	1	0	1	22	54	86	118	150	182	214	246	278	310	342	374	406	438	470	502											
1	1	1	0	1	23	55	87	119	151	183	215	247	279	311	343	375	407	439	471	503											
0	0	0	1	1	24	56	88	120	152	184	216	248	280	312	344	376	408	440	472	504											
1	0	0	1	1	25	57	89	121	153	185	217	249	281	313	345	377	409	441	473	505											
0	1	0	1	1	26	58	90	122	154	186	218	250	282	314	346	378	410	442	474	506											
1	1	0	1	1	27	59	91	123	155	187	219	251	283	315	347	379	411	443	475	507											
0	0	1	1	1	28	60	92	124	156	188	220	252	284	316	348	380	412	444	476	508											
1	0	1	1	1	29	61	93	125	157	189	221	253	285	317	349	381	413	445	477	509											
0	1	1	1	1	30	62	94	126	158	190	222	254	286	318	350	382	414	446	478	510											
1	1	1	1	1	31	63	95	127	159	191	223	255	287	319	351	383	415	447	479	511											

Dip Switch Position

DMX Address

DMX Channels

2 Channels

Channel 1 – Shutter/Strobe (Dimmer must be open)

0-5	Shutter closed
6-240	Strobe effect, from slow to fast (0-10 flashes/sec.)
241-250	LEDS Full ON *
251-255	Music-controlled

Channel 2 – Dimmer

0-255	0-100% dimmer
-------	---------------



* Due to its innovate design, the Technoflash can strobe all night. Continuous Full-On operation should **not** be used for more than 30 minutes at 120V or 15 minutes at 230V. This device is intended to be used as a strobe and NOT as a wall painter light effect.

Maintenance

The operator has to make sure that safety-relating and machine-technical installations are to be inspected by an expert after every year in the course of an acceptance test.

The operator has to make sure that safety-related and machine-technical installations are to be inspected by a skilled person once a year.

The following points have to be considered during the inspection:

- 01) All screws used for installing the device or parts of the device have to be tightly connected and must not be corroded.
- 02) There may not be any deformations on housings, fixations and installation spots.
- 03) Mechanically moving parts like axles, eyes and others may not show any traces of wearing.
- 04) The electric power supply cables must not show any damages or material fatigue.

The Technoflash 168 requires almost no maintenance. However, you should keep the unit clean. Otherwise, the fixture's light-output will be significantly reduced. Disconnect the mains power supply, and then wipe the cover with a damp cloth. Do not immerse in liquid. Wipe lens clean with glass cleaner and a soft cloth. Do not use alcohol or solvents.

The front lens will require weekly cleaning, as smoke-fluid tends to build up residues, reducing the light-output very quickly. The cooling-fans should be cleaned monthly, with a soft brush.

Please clean internal components once a year with a light brush and vacuum cleaner.

Keep connections clean. Disconnect electric power, and then wipe the DMX and audio connections with a damp cloth. Make sure connections are thoroughly dry before linking equipment or supplying electric power.

Replacing the Fuse

Power surges, short-circuit or inappropriate electrical power supply may cause a fuse to burn out. If the fuse burns out, the product will not function whatsoever. If this happens, follow the directions below:

- 01) Unplug the unit from electric power source.
- 02) Insert a flat-head screwdriver into a slot in the fuse cover. Gently pry up the fuse cover. The fuse will come out.
- 03) Remove the used fuse. If brown or unclear, it is burned out.
- 04) Insert the replacement fuse into the holder where the old fuse was. Reinsert the fuse cover. Be sure to use a fuse of the same type and specification. See the product specification label for details.

Troubleshooting

This troubleshooting guide is meant to help solve simple problems.

If a problem occurs, carry out the steps below in sequence until a solution is found. Once the unit operates properly, do not carry out following steps.

No Light

If the light effect does not operate properly, refer servicing to a technician.

Response: Suspect three potential problem areas as: the power supply, the LEDs, the fuse.

- 01) Power supply. Check that the unit is plugged into an appropriate power supply.
- 02) The LEDs. Return the Technoflash to your Showtec dealer.
- 03) The fuse. Replace the fuse. See page 15 for replacing the fuse.
- 04) If all of the above appears to be O.K., plug the unit in again.
- 05) If you are unable to determine the cause of the problem, do not open the Technoflash, as this may damage the unit and the warranty will become void.
- 06) Return the device to your Showtec dealer.

No Response to DMX

Response: Suspect the DMX cable or connectors, a controller malfunction, a light effect DMX card malfunction.

- 01) Check the DMX setting. Make sure that DMX addresses are correct.
- 02) Check the DMX cable: Unplug the unit; change the DMX cable; then reconnect to electrical power. Try your DMX control again.
- 03) Determine whether the controller or light effect is at fault. Does the controller operate properly with other DMX products? If not, take the controller in for repair. If so, take the DMX cable and the light effect to a qualified technician.

Problem	Probable cause(s)	Solution
One or more fixtures do not function at all	No power to the fixture	<ul style="list-style-type: none"> Check if power is switched on and cables are plugged in
Fixtures reset correctly, but all respond erratically or not at all to the controller	Primary fuse blown	<ul style="list-style-type: none"> Replace fuse
	The controller is not connected. 3-pin XLR Out of the controller does not match XLR Out of the first fixture on the link (i.e. signal is reversed)	<ul style="list-style-type: none"> Connect controller. Install a phase reversing cable between the controller and the first fixture on the link
Fixtures reset correctly, but some respond erratically or not at all to the controller	Poor data quality	<ul style="list-style-type: none"> Check data quality. If much lower than 100 percent, the problem may be a bad data link connection, poor quality or broken cables, missing termination plug, or a defective fixture disturbing the link
	Bad data link connection	<ul style="list-style-type: none"> Inspect connections and cables. Correct poor connections. Repair or replace damaged cables
	Data link not terminated with 120 Ohm termination plug	<ul style="list-style-type: none"> Insert termination plug in output jack of the last fixture on the link
	Incorrect addressing of the fixtures	<ul style="list-style-type: none"> Check address setting
	One of the fixtures is defective and disturbs data transmission on the link	<ul style="list-style-type: none"> Bypass one fixture at a time until normal operation is restored: unplug both connectors and connect them directly together. Have the defective fixture serviced by a qualified technician
Shutter closes suddenly	3-pin XLR Out on the fixtures does not match (pins 2 and 3 reversed)	<ul style="list-style-type: none"> Install a phase-reversing cable between the fixtures or swap pin 2 and 3 in the fixture that behaves erratically
	The color wheel, gobo wheel or a gobo has lost its index position and the fixture is resetting the effect	<ul style="list-style-type: none"> Contact a technician for servicing if the problem persists
No light or lamp cuts out intermittently	Fixture is too hot	<ul style="list-style-type: none"> Allow the fixture to cool down Clean the fan Turn up the air conditioning
	LEDs damaged	<ul style="list-style-type: none"> Disconnect the fixture and return it to your dealer
	The power supply settings do not match local AC voltage and frequency	<ul style="list-style-type: none"> Disconnect fixture. Check settings and correct if necessary

Product Specifications

Model:	Showtec Technoflash 168
Input Voltage:	100-240 VAC, 60/50Hz
Power consumption:	32W (full output)
DMX linking:	30pcs
Fuse:	F1A/250V
Dimensions:	238 x 220 x 140 mm (LxWxH)
Weight:	1 kg
Operating and Programming:	
Signal pin OUT:	Pin 1 (earth), pin 2 (-), pin 3 (+)
DMX Mode:	2 Channels
Signal input:	3-pin XLR male
Signal output:	3-pin XLR female
Power input:	IEC IN
Power output:	IEC OUT
Electro-mechanical effects:	
Light Source:	168 x 0,25W (20mA)
Lux @2m	500
Dimmer:	0-100%
Strobe:	0-12Hz
Housing:	Metal & Flame retardant plastic
Strobe	Cool White Strobe
DMX-control:	via standard DMX-controller
Control:	Auto, DMX-512, Master/Slave, Sound-controlled Built-in speed and intensity adjustments
Connections:	Dedicated Schuko to IEC & Data connector
Cooling:	Internal fan
Max. ambient temperature t_a :	40°C
Max. housing temperature t_B :	80°C
Minimum distance:	
Minimum distance from flammable surfaces:	0,5 m
Minimum distance to lighted object:	1 m

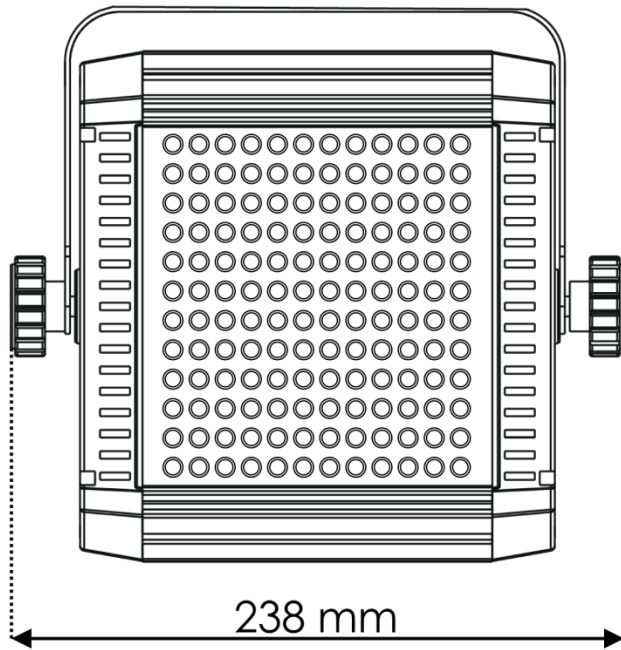
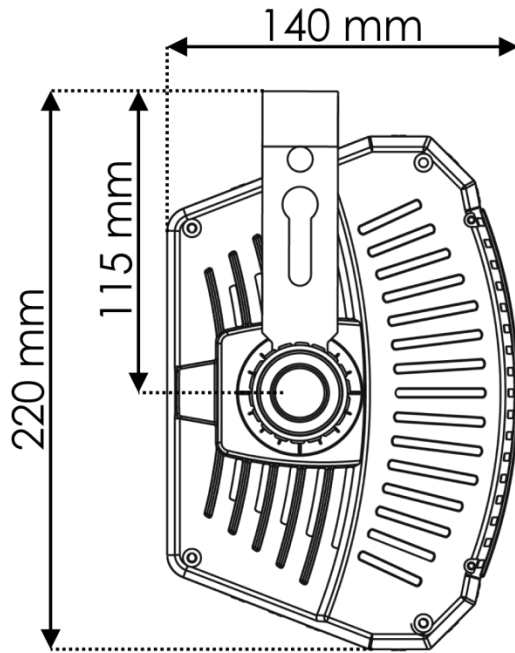
Design and product specifications are subject to change without prior notice.



Website: www.Showtec.info

Email: service@highlite.nl

Dimensions





©2015 Showtec