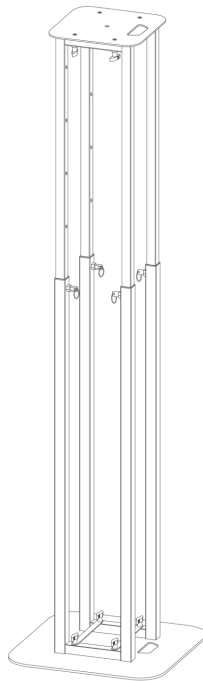


# novopro

# PS1XXL

I N S T R U C T I O N M A N U A L



Manual version 2.1

**This user manual will help you assemble and operate this product safely and quickly, so please spend a few minutes to read through the enclosed information.**

Due to continuous product development, please check for the latest version of this product manual at:

**[www.novopro.co.uk](http://www.novopro.co.uk)**

Designed and engineered in the UK and manufactured in China for Novopro Ltd.

Novopro Ltd is a trade-only supplier and only supply wholesale to trade resellers.

At the end of the products working life, please take it to a recycling plant for environmentally friendly disposal.

Due to continuous product development, specifications and appearance are subject to change. E&OE. © Copyright Novopro Ltd.

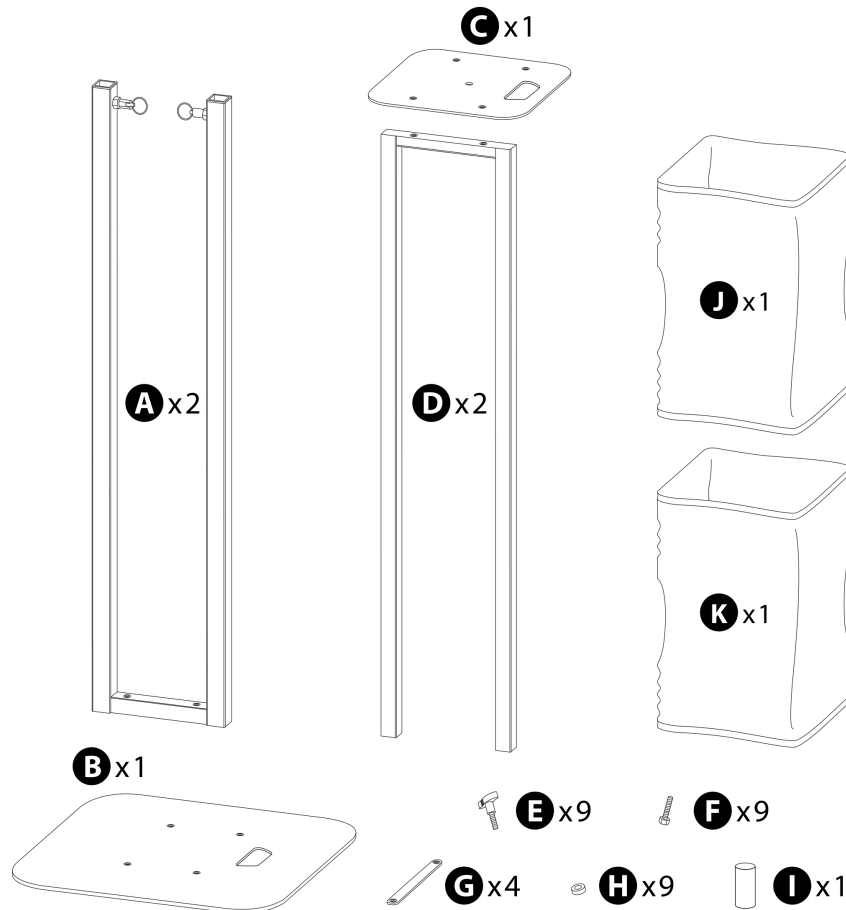
**Thank you for purchasing this Novopro product.**

**Unpacking and safety:** Please unpack your new product carefully. Your product should reach you in perfect condition, so please check that no damage has occurred during transit. If any damage is found or there are any missing pieces from the packing list, **please contact the retailer you purchased it from immediately.** Do not attempt to assemble it unless you have everything listed below.

**Packing list**

**A:** 2 x base support legs with height adjustment mechanisms | **B:** 1 x base plate with integral cut out handle  
**C:** 1 x top plate with integral cut out handle | **D:** 2 x top support legs | **E:** 9 x M8 hand-tightening bolts  
**F:** 8 x M8 standard bolts | **G:** 4 x cross brace supports (when using at extended heights) | **H:** 9 x M8 x 2mm washers  
**I:** 1 x 35mm pole mount speaker adaptor | **J:** PS1XXL white scrim | **K:** PS1XXL black scrim | **L:** Plastic collar inserts (not shown)  
2 x EVA foam pads for top plate (not shown) | Hook-and-loop fastener cable ties for securing cables (not shown)  
1 x bag for base & top support legs (not shown) | 1 x bag for top plate and baseplate (not shown)

**NOTE:** part **D** is supplied already pre-fitted inside part **A** with a plastic collar insert **L**. Separating these parts may damage the plastic collar inserts and they should never normally need to be separated.



**Assembly** (see diagrams on the following two pages for easy guidance).

**Step 1** (diagram A)

Ensure that you have everything listed above then begin by attaching the two top support legs (**D**) to the top plate (**C**). Do this by screwing four of the M8 hand-tightening bolts (**E**) *through* two of the cross brace supports (**G**) and *through* the top support legs (**D**) and finally into the top plate (**C**). Hand-tighten only, never over-tighten as you may damage the thread. **Please note:** the PS1XXL can be configured and assembled by using *either* the M8 hand tightening bolts (**E**) *or* by using the M8 standard bolts (**F**) when dis-assembly is not required at the end of your events.

**Important:** the unit comes with 4 x cross brace supports (**G**) which will reduce any lateral movement when using the PS1XXL at extended heights. If you will not be using these cross brace supports, then please replace these with the M8 x 2mm washers (**H**) to ensure the bolts do not protrude through the integrated nuts on the top and base plates (as shown on diagram E).

**Step 2** (diagram B)

Next attach the two base support legs (**A**) to the base plate (**B**). Do this by screwing four of the M8 hand-tightening bolts (**E**) *through* two of the cross brace supports (**G**) and *through* the base support legs (**A**) and finally into the base plate (**B**).

**Step 3** (diagrams C)

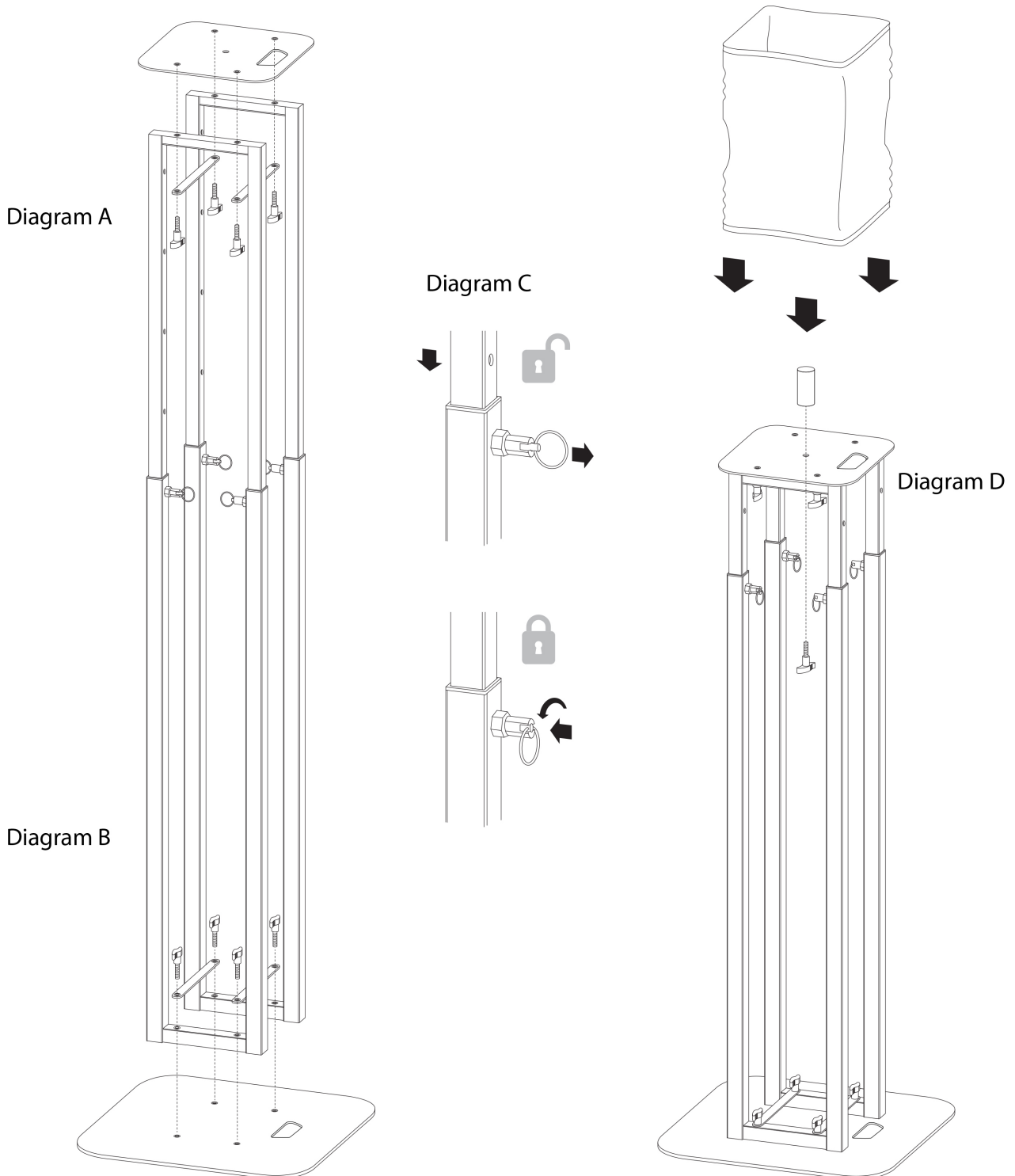
Ensure that all four height adjustment mechanism locks are '**unlocked**' by pulling the pins out from the locks and rotating the rings (see diagram C). The top support legs (**D**) can now be set your desired height within the base support legs (**A**). Lock the height of the unit by engaging the height adjustment pins into the appropriate holes on the side of the top support legs (**D**) and closing the locks by turning the rings 90 degrees.

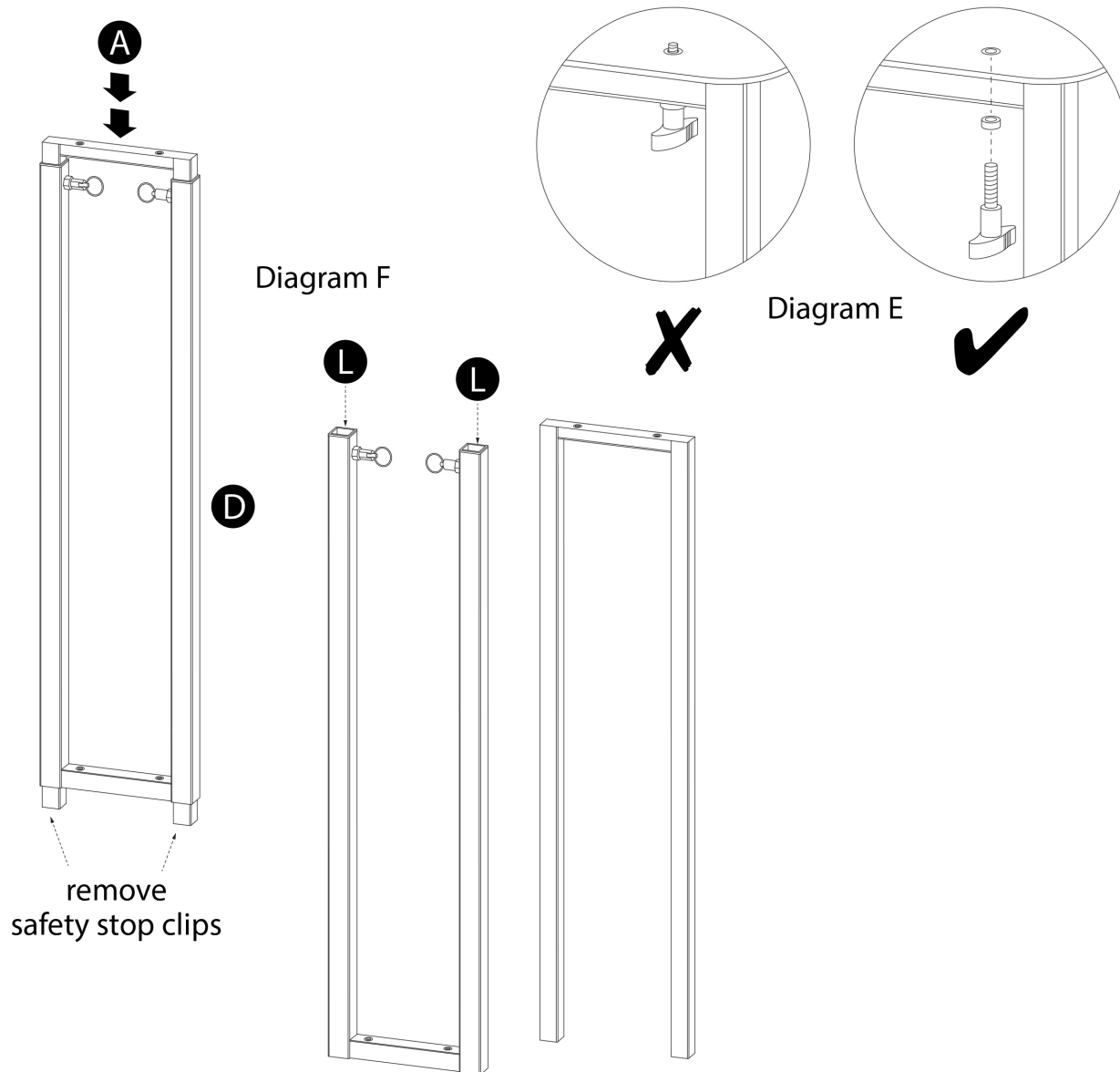
**Step 4 (diagram D)**

The assembly is now nearing completion. You can fit the EVA foam pads (if required) by removing the backing paper and applying to the top plate or install the 35mm pole mount speaker adaptor (I) (if required) to the top plate by screwing it from underneath with the last of the hand-tightening bolts (E) or M8 standard bolt (F). There are hook-and-loop fastener cable ties included within the package, to guide any cables (mains/DMX etc) neatly against the legs of the stand and through the handle cut out in the top plate. Finally, carefully guide either the black or white scrim (J or K) over the unit to finish the assembly. The scrim will fit the PS1XXL when fully extended and they are designed to be folded or rolled over when using the stand at lower heights.

Your PS1XXL is now ready for use. The unit will be sufficiently stable but due diligence and appropriate safety measures must be implemented and adhered to. Always use a wall tie or additional support (not supplied) to attach to the top of the PS1XXL when using within public areas.

There are optional larger baseplates available that will maintain the stability of the product if used in public areas and no wall tie or additional supports are available and it is the user's responsibility to use the product in a safe manner and within current Health and Safety Guidelines.





### Separating the base and top support legs (Diagram F)

The PS1XXL have a safety stop clip inside the frame that is there to stop the unit coming apart if you over-extend the height of the frames. This part needs to be removed in order to fully disassemble the frame legs or access the plastic collar inserts (L):

1. Slide the inner top part of the side frame (A) inside the outer bottom part of the frame (D). Basically, you are making the side frame as small as it can be so you can gain access to the plastic stop clip.
2. As the inner part of the top frame (A) extends through the ends of the bottom frame (D), you will see the plastic safety stop clips that need to be removed in order to separate the frames.
3. Once removed, you can then fully extend and slide the frames completely apart and allow access to the plastic collar inserts (L).
4. Then refit the safety stop clip as per the instructions on point 2. above.

### Maintenance

The scrims can be wiped down with a damp cloth or hand/machine washed at a maximum of 30 degrees. They are treated with a fire retardant finish, which must be re-applied after washing. A suitable fire retardant spray/treatment is available online or from your local supplier.

### Specifications

Base plate (WxDxH): 500 x 500 x 3mm / 19.6 x 19.6 x 0.11 inches

Top plate (WxDxH): 300 x 300 x 3mm / 11.8 x 11.8 x 0.11 inches

Min height when built: 1400mm / 55 inches / Max height when built: 2500mm / 98 inches

Unit dimensions for transport when assembled: (WxDxH): 500mm x 500mm x 1400mm / 19.6 x 19.6 x 55 inches

Maximum weight that the unit will support: 60Kg / 132lb

Weight: 20Kg / 44lb

Due to continuous product development, specifications and appearance are subject to change. E&OE. © Copyright Novopro Ltd.