



Uber FX

User Guide

English (3 – 10)

Guía del usuario

Español (11 – 18)

Guide d'utilisation

Français (19 – 26)

Guida per l'uso

Italiano (27 – 34)

Benutzerhandbuch

Deutsch (35 – 43)

Appendix

English (44 – 45)

User Guide (English)

Introduction

Thank you for purchasing the Uber FX. At Alto Professional, performance and reliability mean as much to us as they do to you. That's why we design our equipment with only one thing in mind—to make your performance the best it can be.

Note: Before you first use the product, please fully charge the battery. Your unit was purposely shipped with a reduced battery charge to ensure safe transit.

Use the included power cable to connect the unit to a power outlet and let it charge for up to 12 hours. This helps ensure the longest life for your battery.

Box Contents

- Uber FX
- Power Cable
- User Guide
- Safety & Warranty Manual

Support

For the latest information about this product (system requirements, compatibility information, etc.) and product registration, visit altoproaudio.com.

For additional product support, visit altoproaudio.com/support.

Rechargeable Batteries

Rechargeable lead-acid batteries are the same type used in automobiles. As with your car battery, how you use this battery has a significant impact on its lifespan. With proper use and treatment, a lead-acid battery can last for years. Here are some recommendations for getting the longest life from the internal battery.

- General Usage** Fully charge the battery before using the speaker.
Charge the battery completely after each use.
- Storage** For best product longevity, do not store at exceedingly hot (greater than 90 °F / 32 °C) or exceedingly cold (less than 32 °F / 0 °C) temperatures.
It is acceptable to leave your speaker plugged in. This will not overcharge the battery.
If you leave the battery level low and do not charge it for 6 months, it may permanently lose capacity.
- Repair** If the battery fails to charge, contact Alto Professional at altoproaudio.com.
- Disposal** Bring the unit to a recycling center or dispose of in accordance with local ordinances.

Important Safety Precautions

Please note: Alto Professional and inMusic are not responsible for the use of its products or the misuse of this information for any purpose. Alto Professional and inMusic are not responsible for the misuse of its products caused by avoiding compliance with inspection and maintenance procedures. Please also refer to the included safety and warranty manual for more information.



Caution: To reduce the risk of electric shock, do not connect Uber FX to a power outlet while the grille is removed.

Sound Level

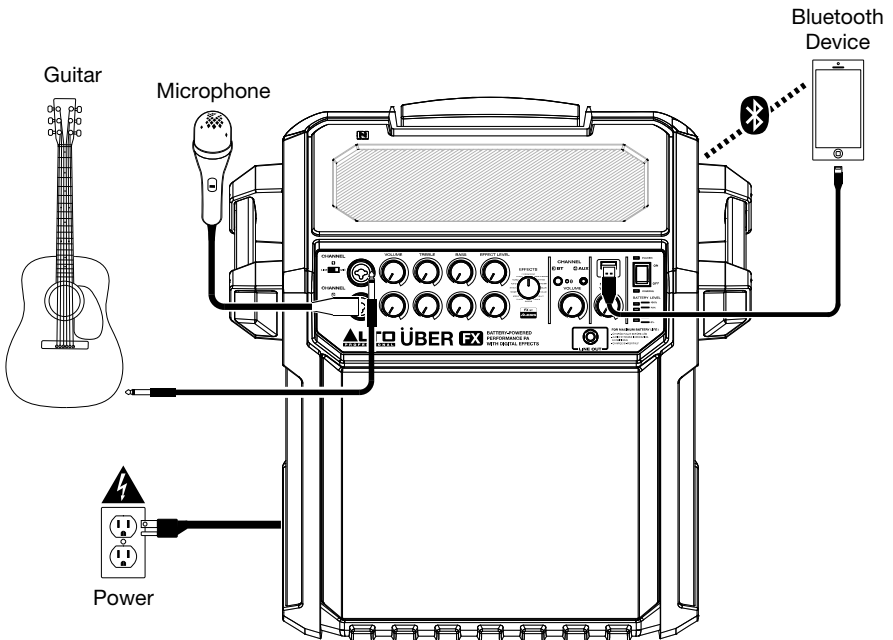
Permanent hearing loss may be caused by exposure to extremely high noise levels. The U.S. Occupational Safety and Health Administration (OSHA) has specified permissible exposures to certain noise levels. According to OSHA, exposure to high sound pressure levels (SPL) in excess of these limits may result in hearing loss. When using equipment capable of generating high SPL, use hearing protection while such equipment is under operation.

Hours per day	SPL (dB)	Example
8	90	Small gig
6	92	Train
4	95	Subway train
3	97	High-level desktop monitors
2	100	Classical music concert
1.5	102	Riveting machine
1	105	Machine factory
0.5	110	Airport
0.25 or less	115	Rock concert

Setup

1. Make sure all items listed in the **Box Contents** are included in the box.
2. Read the *Safety & Warranty Manual* before using the product.
3. Make sure that you have completely charged the battery prior to first use for maximum battery life.
4. Turn down the **Master Volume** on Uber FX.
5. Power on Uber FX.
6. Connect your devices.
7. Switch everything on in the following order:
 - audio input sources (i.e. microphones, instruments, CD/MP3 Players)
 - Uber FX
8. Raise the volume to a comfortable level.
9. Return the **Master Volume** to zero and turn off Uber FX when you are finished.

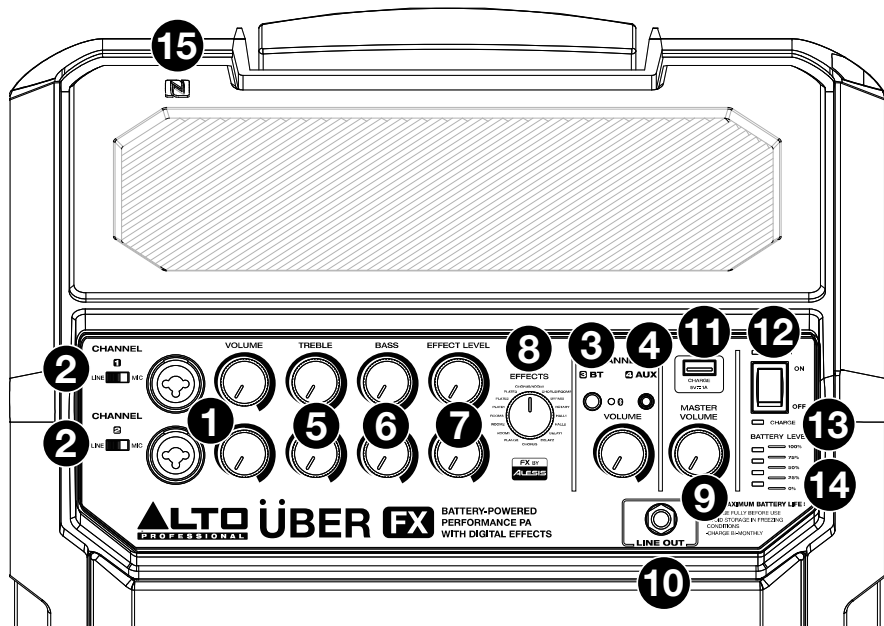
Example



Items not listed under **Introduction > Box Contents** are sold separately.

Features

Front Panel



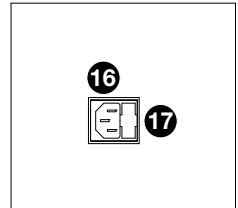
- 1. Combo Inputs with Volume Control:** Use a standard 1/4" (6.35 mm) TRS or XLR cable (*not included*) to connect your sound source to each input. Use the **Volume** knob to adjust the level of each one.
- 2. Line/Mic Switch:** Use this switch to set the **Input** to accept either a Line-level or Mic-level sound source.
Note: When using an instrument with passive pickups, set the switch to the **Mic** setting. When using an instrument with active pickups, set the switch to the **Line** setting.
- 3. Bluetooth:** The **Bluetooth LED** will be lit when a device is paired to Uber FX. This LED will not be lit when Uber FX is first powered on (unless it was previously paired with a device). Press the **Bluetooth button** to disconnect a paired Bluetooth device.
- 4. Auxiliary Input with Volume Control:** This stereo 1/8" (3.5 mm) input can be used to connect a CD player, MP3 player, or other audio source. The **Volume** control adjusts auxiliary input and Bluetooth volume.
- 5. Hi EQ (Treble):** Adjusts the high (treble) frequencies of the channel.
- 6. Lo EQ (Bass):** Adjusts the low (bass) frequencies of the channel.
- 7. Effect Level:** Adjusts how much of the internal effect will be applied to the channel.
- 8. Effects Selector:** Selects the effect that Uber FX's internal effects processor (powered by *Effects by Alesis*) will apply to the various channels. Each channel can send different levels of audio to the processor by adjusting their **Effect Level** knob. See [Operation > Effects](#) for an explanation of the available effects.

9. **Master Volume Control:** This adjusts the loudspeaker's main mix volume, which includes Instrument/Microphone Inputs, Auxiliary Input, and the audio of a paired Bluetooth device.
10. **Line Out:** This 1/4" (6.35 mm) TRS output can be connected to a stereo auxiliary input or to a mixer using a TRS-to-dual-TS splitter cable (*not included*). The Line Out is post-Master Volume Control.
11. **USB Charging Port:** Connect your device's charge cable here to charge it. USB charging only functions when the unit's power is turned on.

Note: To charge smartphones and tablets faster, put the device's screen to sleep.
12. **Power Switch:** Use this switch to power the loudspeaker on or off. Make sure all **Volume** knobs are set to "zero" before powering it on. When the loudspeaker is powered on, the **Power LED** above it will be lit.
13. **Charge Indicator:** This LED will illuminate when Uber FX is connected to AC power to indicate it is charging. Once charging is complete, the LED will go off.
14. **Battery Level Indicator:** While the unit is powered on, these four lights indicate the power left in the battery. Battery life varies based on volume and usage.
15. **NFC (Near-Field Communication):** Touch and briefly hold your supported and enabled device to the NFC logo to pair the device. See [Pairing a Bluetooth Device Using NFC](#) for more information.

Rear Panel

1. **Power Cable Input:** Insert the included power cable here to charge the unit. Please note that when the power cable is connected, the battery will still charge while the unit is in use.
2. **Fuse:** If the unit's fuse needs replacing, lift this tab to access the fuse. Replace it with a fuse with an appropriate rating (printed under the unit's power cable input). Using a fuse with an incorrect rating can damage the unit and/or fuse.



Operation

Pairing a Bluetooth Device

1. Turn on your Bluetooth device.
2. Turn on Uber FX using the **power switch**. If you have previously connected to another Bluetooth device, Uber FX will reconnect.
3. Navigate to your Bluetooth device's setup screen, find **Uber FX** and connect.

Note: If your device requires a passcode or PIN, enter **0000**.

4. The **Bluetooth LED** will light up solid when it is "paired."
If your Bluetooth device is not able to connect to Uber FX, press the **Bluetooth button** on Uber FX to break previous Bluetooth connections and reset the Bluetooth module.
5. Start playback from your Bluetooth device.
6. To disconnect a connected Bluetooth device and connect to another Bluetooth device, press the **Bluetooth button**. Repeat Step 3.

Note: If you experience trouble connecting or playing music, update your device's OS.

Pairing a Bluetooth Device Using NFC

NFC (near-field communication) allows data exchange from devices, such as pairing, by gently bumping them together. Check in your device's manual to see if this feature is supported.

To use NFC to pair with Uber FX:

1. In order to use NFC, your device must be turned on and unlocked.
2. Enter your device's **Settings** menu and check that **NFC** is turned **On** (one-time step).
3. Power on Uber FX.
4. Touch and briefly hold your device to the NFC logo located on Uber FX's top panel.
5. Follow the pairing instructions that appear on your phone. If a passcode is required, enter "0000".
6. To unpair, gently bump your device against the NFC logo.

Using the Aux Input

Connect your smartphone, MP3 player, or similar device to the **Aux Input**. Adjust the output volume on your source device and then adjust the overall volume using the **Aux Input Volume Control** on Uber FX.

Effects

To hear the effects on a channel: Turn up the **Effects Level** for the channel. Use the **Effects Selector** knob to choose one of the effects below:

Reverb Effects

- **HALL 1:** A large, bright concert hall reverberation effect suitable for vocals and instruments.
- **HALL 2:** A large, warm concert hall reverberation effect suitable for drums, piano and other instruments.
- **ROOM 1:** A medium-sized, moderately bright reflective room reverberation effect suitable for vocals, lead guitars and other instruments.
- **ROOM 2:** A small, very reflective bright room reverberation effect suitable for drums and percussion as well as electric guitars and other instruments.
- **ROOM 3:** A large, warm room reverberation effect suitable for acoustic instruments.
- **PLATE 1:** A lush, smooth vocal plate reverb with a long decay time and warm tonality.
- **PLATE 2:** An emulation of vintage plate reverb with bright, slightly tinny tonality and a medium-length decay.
- **PLATE 3:** A short, bright plate reverb effective for creating subtle spaces.

Modulation Effects

- **CHORUS:** A complex, 6-voice chorus ensemble effect with short delays often referred to as a "Chorus / Doubler". Discrete stereo signal path. Slow and watery.
- **FLANGE:** Classic stereo flange: a slow, slightly metallic sweep with a discrete stereo signal path.
- **ROTARY:** Fast rotary speaker simulator creates the classic, lush Doppler effect of an organ's spinning horn. Effective on guitars, vocals, keyboards and other instruments.

Delay Effects

- **DELAY 1:** A simple slap-back echo with no feedback particularly effective on vocals and rhythm guitars.
- **DELAY 2:** Medium-length poly-rhythmic delay with crossover feedback. 3 to 4 ratio between L and R delay times (291 to 388ms) for 3/4 vs. 4/4 feel. Useful for solo instruments where a long, trailing echo effect is desired.

Multi Effects

- **CHORUS – ROOM 1:** Room reverb into a slow flanging modulation creates a spacey effect.
- **CHORUS – ROOM 2:** Fast modulation provides a dramatic chorus effect in a small room for a very lush chorus + reverb sound with a discrete stereo signal path.

BYPASS: Bypasses the effects processor – no effects will be heard.

Troubleshooting

If the unit is not charging: Make sure the power cable is properly connected to the power input and the power outlet.

If the sound is distorted: Try lowering the volume control of your sound source, musical instrument, or microphone. Also, try to reduce the overall volume of Uber FX using the Master Volume knob.

If there is too much bass: Try adjusting the tone or EQ control on your sound source to lower the bass level. This will allow you to play the music louder before clipping (distortion) occurs.

If there is a high-pitched whistling noise when using microphones: This is probably feedback. Point the microphone away from the speaker.

If you can't hear the microphone over the music volume: Turn down the music volume from your source.

If you can't hear your instrument: Check the setting of the **Line/Mic switch**. If you are using an instrument with passive pickups, set the switch to the **Mic** setting.

If you can't play music from a flash drive: The USB port is only for charging USB devices.

If you cannot connect your audio device to Uber FX via Bluetooth:

- Have your audio device (e.g., smartphone or tablet) and Uber FX as close together as possible while trying to connect. Make sure both the audio device and Uber FX are unobstructed by walls, furniture, etc.
- Reset the Bluetooth connection on Uber FX to disconnect Uber FX from any other audio device and restart the search process. If this does not work right away, power off Uber FX and then power it back on. See [Pairing a Bluetooth Device Using NFC](#) for more information.
- Reset the Bluetooth connection on your audio device by turning Bluetooth off and back on. You can find this under the Bluetooth menu in the Settings for your phone or other audio device.

If this does not work, and you have connected to Uber FX before, find Uber FX in the list of available or previously connected devices in your audio device's Bluetooth menu, tap the "gear" or "i" icon located next to it and then select **Unpair** or **Forget**. Turn Uber FX off and back on and try pairing again once it reappears in your available devices list.

Note: If Uber FX has been paired to another audio device recently that is still within range, you may need to repeat this process with that audio device to fully disconnect.

Guía del usuario (Español)

Introducción

Gracias por comprar el Uber FX. En Alto Professional, el rendimiento y la confiabilidad significan tanto para nosotros como para usted. Por eso es que diseñamos nuestros equipos con una sola cosa en mente—hacer que pueda tocar su mejor interpretación.

Nota: Antes de utilizar por primera vez el producto, cargue completamente la batería. Su unidad se despachó intencionalmente con una carga reducida de la batería por razones de seguridad en el tránsito.

Utilice el cable del suministro eléctrico incluido para conectar la unidad a una toma de corriente y permita que la unidad se cargue durante hasta 12 horas. Esto contribuye a asegurar la vida útil más larga de su batería.

Contenido de la caja

- Uber FX
- Cable de alimentación
- Guía del usuario
- Manual sobre la seguridad y garantía

Soporte

Para obtener la información más completa acerca de este product (los requisitos del sistema, compatibilidad, etc) y registro del producto, visite altoproaudio.com.

Para soporte adicional del producto, visite altoproaudio.com/support.


Baterías recargables

Las baterías de plomo-ácido recargables son del mismo tipo que se usa en los automóviles. Al igual que con la batería del vehículo, la forma en que se usa tiene una influencia significativa en la duración de su vida útil. Con un uso y tratamiento correctos, una batería de plomo-ácido puede durar varios años. He aquí algunas recomendaciones para prolongar la vida útil de la batería interna.

- Uso general**
 - Cargue completamente la batería antes de utilizando el altavoz.
 - Cargue la batería completamente después de cada uso.
- Almacenamiento**
 - Para lograr la mayor longevidad del producto, no lo almacene a temperaturas muy altas (superiores 32 °C / 90 °F) o muy frías (inferiores a 0 °C / 32 °F).
 - Es aceptable dejar su sistema de sonido enchufado. No sobrecargará la batería.
 - Si deja que el nivel de la batería baje y no la carga durante 6 meses, puede perder permanentemente su capacidad.
- Reparación**
 - Si la batería no se carga, póngase en contacto con Alto Professional en altoproaudio.com.
- Disposición final**
 - Lleve la unidad a un centro de reciclaje o deséchela de acuerdo a las ordenanzas locales.

Precauciones importantes para la seguridad

Para tener en cuenta: Alto Professional e inMusic no son responsables del uso de sus productos o el mal uso de esta información para cualquier propósito. Alto Professional e inMusic no son responsables del mal uso de sus productos causados por la omisión del cumplimiento de los procedimientos de inspección y mantenimiento. Para más información, consulte también el manual de seguridad y garantía incluido.

 **Precaución:** Para reducir el riesgo de shock eléctrico, no conecte el Uber FX a una toma de corriente cuando la rejilla está desmontada.

Nivel de sonido

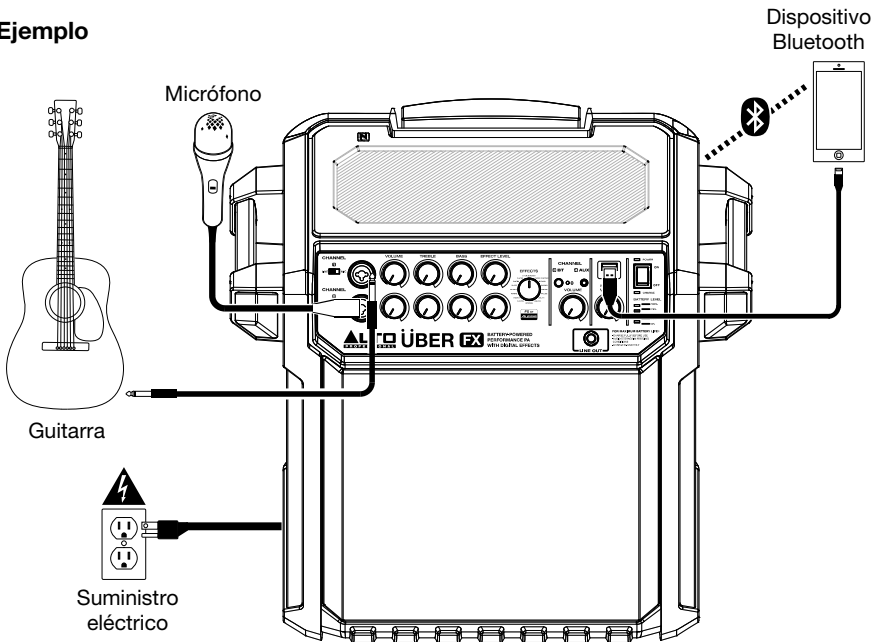
La exposición a niveles muy altos de ruido puede causar pérdidas auditivas permanentes. La Administración de Seguridad y Salud Ocupacional de EE.UU. (OSHA) ha especificado los niveles de exposición permisibles a ciertos niveles de ruido. Según la OSHA, la exposición a niveles de presión sonora (SPL) elevados que excedan estos límites puede causar pérdidas auditivas. Cuando utilice equipos capaces de generar SPL elevados, use protecciones auditivas mientras dichos equipos están en funcionamiento.

Horas diarias	SPL (dB)	Ejemplo
8	90	Música de bajo volumen
6	92	Tren
4	95	Tren subterráneo
3	97	Monitores de escritorio de alto nivel
2	100	Concierto de música clásica
1,5	102	Remachadora
1	105	Máquina fabril
0,5	110	Aeropuerto
0,25 o menos	115	Concierto de rock

Instalación

1. Asegúrese de que todos los artículos indicados en **Contenido de la caja** estén incluidos en ella.
2. Lea el *manual sobre la seguridad y la garantía* antes de utilizar el producto.
3. Para asegurar una máxima vida útil de la batería, asegúrese de que esté completamente cargada antes de utilizarla por primera vez.
4. Asegúrese de que el **volumen maestro** del Uber FX esté en cero.
5. Encienda el Uber FX.
6. Conecte sus dispositivos.
7. Encienda todo en el siguiente orden:
 - fuentes de entrada de audio (por ejemplo, micrófonos, instrumentos, reproductores de CD/MP3)
 - Uber FX
8. Suba el volumen hasta un nivel confortable.
9. Regrese el **volumen maestro** a cero y apague el Uber FX cuando no lo use.

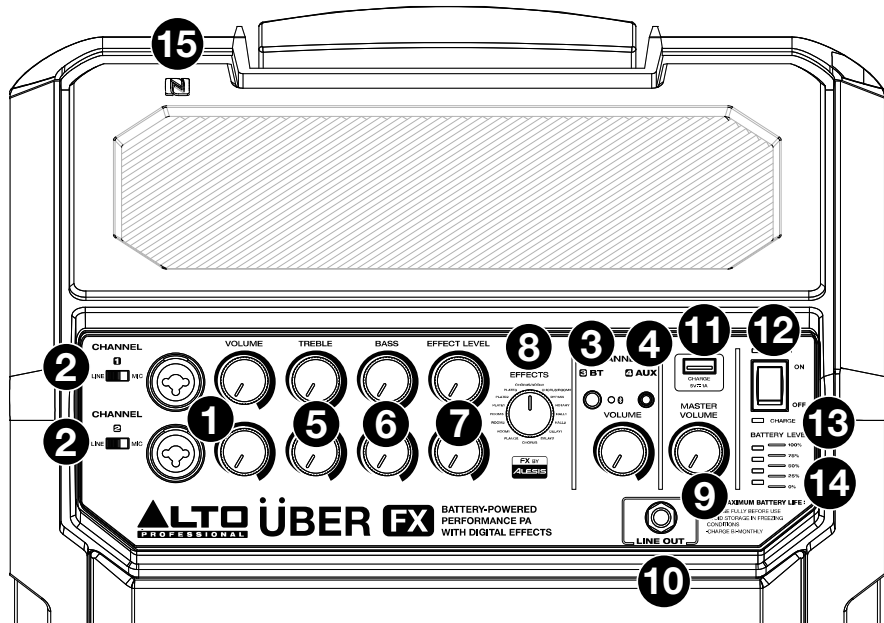
Ejemplo



Los elementos que no se enumeran en **Introducción > Contenido de la caja** se venden por separado.

Características

Panel frontal



- Entradas combinadas con control de volumen:** Use un cable de XLR o TRS de 6,35 mm (1/4 pulg.) estándar (*no incluido*) para conectar su fuente de sonido a estas entradas. Accione la perilla **volumen** para ajustar el volumen de cada entrada.
- Interruptor Line/Mic:** Utilice este interruptor para configurar la **entrada** de manera que acepte una fuente de sonido de nivel de línea o de nivel de micrófono.

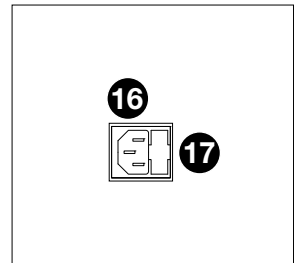
Nota: Cuando utilice un instrumento con captadores pasivos, coloque el interruptor en la posición **Mic**. Cuando utilice un instrumento con captadores activos, coloque el interruptor en la posición **Line**.
- Bluetooth:** El **LED Bluetooth** se enciende cuando se aparea un dispositivo al Uber FX. Este LED no se enciende cuando el Uber FX se enciende por primera vez (a menos que hubiera sido apareado previamente con un dispositivo). Pulse el **botón Bluetooth** para desconectar un dispositivo Bluetooth apareado.
- Entrada auxiliar con control de volumen:** questo ingresso stereo da 3,5 mm (1/8 pulg.) può essere utilizzato per collegare un lettore CD, un lettore MP3 o altre sorgenti audio. Il comando di regolazione del volume regola il volume dell'ingresso ausiliario e Bluetooth.
- Ecuador de altos (Agudos):** Ajusta las frecuencias altas (agudos) del canal.
- Ecuador de bajos (Graves):** Ajusta las frecuencias bajas (graves) del canal.
- Nivel de efectos:** Ajusta la cantidad de efecto interno que se aplicará al canal.

8. **Selector de efectos:** Selecciona el efecto que el procesador de efectos (potenciado por los *efectos de Alesis*) interno Uber FX aplica a los diversos canales. Cada canal puede enviar al procesador niveles diferentes de audio ajustando sus perillas de **Nivel de Efectos**. Consulte en la sección [Funcionamiento > Efectos](#) una explicación de los efectos disponibles.
9. **Control de volumen maestro:** Este control ajusta el volumen de la mezcla principal del altavoz, que incluye las entradas de micrófono/instrumento, la entrada auxiliar, y el audio de un dispositivo Bluetooth apareado.
10. **Salida de línea:** Esta salida TRS de 6,35 mm (1/4 pulg.) puede conectar a una salida auxiliar estéreo o a un mezclador usando un cable divisor de TRS-a-doble-TS (*no incluido*). La salida de línea es post control de volumen maestro.
11. **USB estación:** Conecte aquí el cable de carga de su dispositivo para cargarlo. La carga por USB funciona solamente cuando la unidad está encendida.

Nota: Para cargar sus teléfonos inteligentes (smartphones) y tabletas más rápido, ponga la pantalla de su dispositivo en estado de reposo.
12. **Interrupción de encendido:** Enciende y apaga el altavoz. Asegúrese de que la perilla de **volumen** esté ajustada a “cero” antes de encenderlo. Cuando el altavoz esté encendido, se encenderá el **LED Power** ubicado encima de él.
13. **Indicador Charge:** Este LED se encenderá cuando el Uber FX esté conectado a una fuente de CA para indicar que se está cargando. Una vez completada la carga, el LED se apagará.
14. **Indicador de nivel de batería:** Mientras la unidad está alimentada, estas cuatro luces indican la energía remanente en la batería. La vida útil de la batería varía en función del volumen y el consumo.
15. **NFC** (comunicación de campo cercano): Toque y acerque brevemente su dispositivo habilitado y soportado al logo de NFC para aparearlo. Consulte la sección [Cómo aparear un dispositivo Bluetooth usando NFC](#) para más información.

Panel trasero

1. **Entrada del cable de alimentación:** Inserte aquí el cable de alimentación incluido para cargar la unidad. Tenga en cuenta que cuando el cable de alimentación se encuentra conectado, la batería seguirá cargándose mientras la unidad esté en uso.
2. **Fusible:** Si el fusible de la unidad debe reemplazarse, levante esta lengüeta para acceder al fusible. Reemplácelo por un fusible con especificación apropiada (impresa debajo de la entrada del cable de alimentación de la unidad). Si utiliza un fusible de especificación incorrecta, puede dañarse la unidad y/o el fusible.



Funcionamiento

Conexión con un dispositivo Bluetooth

1. Encienda su dispositivo Bluetooth.
2. Encienda el Uber FX usando el **interruptor de encendido**. Si ya lo había conectado a otro dispositivo Bluetooth previamente, el Uber FX se reconectará.
3. Navegue a la pantalla de configuración de su dispositivo Bluetooth, busque **Uber FX** y conecte.

Nota: Si su dispositivo requiere un código de contraseña o PIN, ingrese **0000**.

4. Cuando está "conectado," el **LED de Bluetooth** esté encendido permanentemente. Si su dispositivo Bluetooth no es capaz de conectarse al Uber FX, pulse el **botón Bluetooth** del Uber FX para cortar las conexiones con Bluetooth anteriores y reinicie el módulo Bluetooth.
5. Comience la reproducción desde su dispositivo Bluetooth.
6. Para desconectar un dispositivo Bluetooth conectado y conectarse a otro dispositivo Bluetooth, pulse el botón Bluetooth y repita el paso 3.

Nota: Si tiene problemas para conectarse o reproducir música, actualice el programa operativo de su dispositivo.

Cómo aparear un dispositivo Bluetooth usando NFC

La tecnología NFC (comunicación de campo cercano) permite el intercambio de datos entre dispositivos, tal como el apareamiento, juntándolos suavemente. Compruebe en el manual de su dispositivo si se soporta esta característica.

Para usar NFC a fin de aparear con Uber FX:

1. A fin de usar NFC, su dispositivo debe estar encendido y desbloqueado.
2. Abra el menú **Settings** (Configuración) de su dispositivo y verifique que **NFC** esté **On** (Activado) (este paso solo se realiza una vez).
3. Encienda el Uber FX.
4. Toque y acerque brevemente su dispositivo del logo de NFC ubicado en el panel superior del Uber FX.
5. Siga las instrucciones de apareamiento que aparecen en su teléfono. Si se requiere una contraseña, ingrese **0000**.
6. Para desapparear, toque suavemente con su dispositivo el logo de NFC.

Cómo usar la entrada auxiliar

Conecte su teléfono inteligente, reproductor MP3 o dispositivo similar a la entrada auxiliar. Ajuste el volumen de entrada en su dispositivo fuente y luego ajustar el volumen mediante el **control de volumen auxiliar** del Uber FX.

Efectos

Para oír los efectos en un canal: Aumente el ajuste del **Nivel de efectos** de este canal. Use la perilla **Effects Selector** (Selectora de efectos) para elegir uno de los siguientes efectos:

Efectos de Reverberación

- **HALL 1:** Un efecto de reverberación de auditorio de conciertos grande y brillante, adecuado para vocales e instrumentos.
- **HALL 2:** Un efecto de reverberación de auditorio de conciertos grande y cálido, adecuado para batería, piano y otros instrumentos.
- **ROOM 1:** Efecto de reverberación de sala reflectiva mediana y moderadamente brillante, adecuado para vocales, guitarras lead y otros instrumentos.
- **ROOM 2:** Efecto de reverberación de sala pequeña, brillante y muy reflectiva, adecuado para batería y percusión, así como para guitarras eléctricas y otros instrumentos.
- **ROOM 3:** Efecto de reverberación en sala grande y cálida, adecuado para instrumentos acústicos.
- **PLATE 1:** Reverberación en placa vocal lujuriosa y suave con largo tiempo de decaimiento y tonalidad cálida.
- **PLATE 2:** Emulación de una placa clásica con tonalidad brillante ligeramente metálica y un decaimiento de mediana duración.
- **PLATE 3:** Reverberación en placa corta y brillante eficaz para crear espacios sutiles.

Efectos de Modulación

- **CHORUS:** Complejo efecto de conjunto de coro de 6 voces con retardos cortos denominado también “Chorus / Doubler” (Coro / Doblador). Ruta de señal estéreo discreta. Lento y acuoso.
- **FLANGE:** Flange estéreo clásico: Barrido lento y ligeramente metálico con ruta de señal estéreo discreta.
- **ROTARY (Giratorio):** El simulador de altavoz giratorio rápido crea el clásico y lujurioso efecto de la bocina giratoria de un órgano. Eficaz para guitarras, vocales, teclados y otros instrumentos.

Efectos de Retardo

- **DELAY 1:** Sencillo eco de golpe sin realimentación, particularmente eficaz en vocales y guitarras de ritmo.
- **DELAY 2:** Retardo polirrítmico de mediana duración con realimentación de crossover. Relación 3 a 4 entre los tiempos de retardo izquierdo y derecho (291 a 388 ms) para obtener sensación 3/4 ó 4/4. Útil para instrumentos de solo donde se desea un efecto de eco largo arrastrado.

Multiefectos

- **CHORUS – ROOM 1:** Reverberación de sala en una modulación tipo flange lenta que crea un efecto espacial.
- **CHORUS – ROOM 2:** Modulación rápida que brinda un efecto dramático de coro en una sala pequeña para obtener un sonido muy lujurioso de coro + reverberación con ruta de señal estéreo discreta.

BYPASS: Se puenta el procesador de efectos — no se oirá ningún efecto.

Solución de problemas

Si la unidad no se carga: Asegúrese de que el cable de alimentación esté conectado correctamente a la entrada de corriente y a la toma de corriente.

Si el sonido está distorsionado: Pruebe bajando el control de volumen de su fuente de sonido, instrumento musical o micrófono. Pruebe también reduciendo el volumen general del Uber FX utilizando la perilla de volumen maestro.

Si hay demasiados graves: Intente ajustando el control de tono o ecualización de su fuente de sonido para reducir el nivel de graves. De esta forma podrá reproducir la música con más volumen antes de que se produzca el recorte (distorsión).

Si hay un silbido agudo cuando se usan micrófonos: Probablemente sea realimentación. Apunte el micrófono apartándolos del altavoz.

Si no puede oír el micrófono por arriba del volumen de la música: Disminuya el volumen de la música en su fuente.

Si no puede escuchar el instrumento: Compruebe la posición del **interruptor Line/Mic**. Si está utilizando un instrumento con captadores pasivos, coloque el interruptor en la posición **Mic**.

Si no logra reproducir música desde una unidad flash: El puerto USB sea solo para cargar dispositivos USB.

Si no puede conectar su dispositivo de audio al Uber FX mediante Bluetooth:

- Mantenga su dispositivo de audio (por ej., teléfono inteligente [smartphone] o tableta) y el Uber FX lo más cerca posible entre sí al realizar la conexión. Asegúrese que tanto el dispositivo de audio como el Uber FX no estén obstruidos por paredes, muebles, etc.
- Reinicie la conexión Bluetooth del Uber FX para desconectarlo Uber FX de cualquier otro dispositivo de audio y reinicie el proceso de búsqueda. Si esto no funciona en seguida, apague el Uber FX y luego vuelva a encenderlo. Para más información, consulte [**Conexión con un dispositivo Bluetooth**](#).
- Reinicie la conexión Bluetooth de su dispositivo de audio apagando el Bluetooth y luego volviendo a encenderlo. Puede encontrar esta opción dentro del menú Bluetooth en los ajustes de su teléfono o dispositivo de audio.

Si esto no funciona y ya se había conectado al Uber FX anteriormente, busque Uber FX en la lista de dispositivos disponibles o previamente conectados en el menú Bluetooth de su dispositivo de audio, toque el icono de engranaje o "i" ubicado junto a él y luego seleccione **Desaparear** u **Olvidar**. Apague el Uber FX, luego vuelva a encenderlo e intente aparearlo nuevamente una vez que vuelva a aparecer en su lista de dispositivos disponibles.

Nota: Si Uber FX ya ha sido recientemente apareado con otro dispositivo de audio que aún se encuentre dentro del alcance, es posible que tenga que repetir este proceso con ese dispositivo de audio para desconectarlo completamente.

Guide d'utilisation (Français)

Présentation

Merci d'avoir fait l'acquisition de la Uber FX. Chez Alto Professional, la performance et la fiabilité sont aussi importantes pour nous qu'elles le sont pour vous. C'est pourquoi nous concevons nos produits avec une seule chose en tête — faire de votre performance la meilleure qui soit.

Remarque : Veuillez vous assurer d'avoir complètement chargé la batterie du produit avant sa première utilisation. L'appareil a été expressément expédié avec une charge de batterie réduite afin d'assurer un transport sécuritaire.

Veuillez utiliser le câble d'alimentation fourni pour relier l'appareil à une prise secteur et laisser la batterie se recharger pendant 12 heures. Ceci permettra de maximiser la durée de vie de la batterie.

Contenu de la boîte

Uber FX
Câble d'alimentation
Guide d'utilisation
Consignes de sécurité et informations concernant la garantie

Assistance

Pour les dernières informations concernant ce produit (la configuration système minimale requise, la compatibilité, etc) et l'enregistrement du produit, veuillez visitez le site altoproaudio.com.

Pour de plus amples informations, visitez altoproaudio.com/support.

Piles rechargeables

Les piles au plomb rechargeables sont du même type que les batteries utilisées dans les automobiles. Comme pour la batterie de votre automobile, la manière dont vous l'utilisez a un impact direct sur sa durée de vie. Cependant, avec une bonne utilisation la pile au plomb peut avoir une durée de vie de plusieurs années. Voici quelques recommandations pour prolonger au maximum la durée de vie de la pile interne.

Utilisation générale Chargez complètement la batterie avant de l'utiliser le haut-parleur.

Rechargez la batterie complètement après chaque utilisation.

Entreposage Pour optimiser la longévité du produit, ne pas entreposer dans des températures extrêmement chaudes (supérieur à 32 °C / 90 °F) ou extrêmement froides (moins de 0 °C / 32 °F).

Il est acceptable de laisser votre système audio branché. Cela ne surchargera pas la batterie.

Si vous laissez le niveau de batterie s'affaiblir sans la recharger pendant 6 mois, elle risquerait de perdre sa capacité de charge de façon permanente.

Réparation Si la batterie ne parvient plus à se recharger, contactez Alto Professional à altoproaudio.com.

Élimination Apportez l'appareil dans un centre de recyclage ou disposez selon les règlements de votre municipalité.

Consignes de sécurité importantes

Veillez noter : Alto Professional et inMusic ne sont pas responsables de la mauvaise utilisation de leurs produits ou de l'utilisation faite de ces informations. Alto Professional et inMusic ne sont pas responsables de la mauvaise utilisation de leurs produits causés par le non-respect des procédures d'entretien et d'inspection. Veuillez également consulter le guide des consignes de sécurité et informations concernant la garantie inclus.



Caution : Afin de réduire le risque de décharge électrique, veuillez ne pas brancher le Uber FX à une prise secteur lorsque la grille est retirée.

Niveau sonore

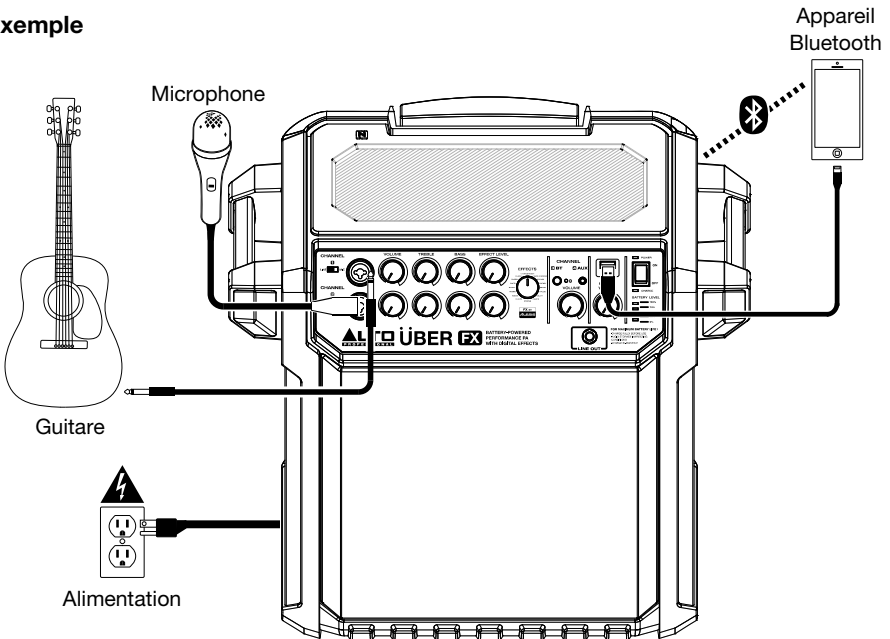
L'exposition aux niveaux extrêmement élevés de bruit peut causer une perte d'audition permanente. Le comité de santé et de sécurité au travail des États-Unis (OSHA) a établi des durées d'exposition acceptables pour certains niveaux de bruit. Selon la OSHA, une exposition à des niveaux de pression acoustique (NPA) au-dessus de ces limites peut avoir comme conséquence une perte d'audition. Lors de l'utilisation d'équipement capable de générer des niveaux de pression acoustique élevés, il faut prendre des mesures afin de protéger son ouïe lorsque cette unité est en fonction.

Heures par jour	NPA (dB)	Exemple
8	90	Petite salle de spectacle
6	92	Train
4	95	Rame de métro
3	97	Moniteurs de table à niveaux élevés
2	100	Concert de musique classique
1,5	102	Riveteuse
1	105	Usine de fabrication
0,5	110	Aéroport
moins de 0,25	115	Concert rock

Installation

1. Veuillez vous assurer que tous les articles énumérés dans le **Contenu de la boîte** de ce guide sont inclus dans la boîte.
2. Veuillez lire le livret des *consignes de sécurité et des informations sur la garantie* avant d'utiliser le produit.
3. Veuillez vous assurer d'avoir complètement chargé la batterie avant la première utilisation afin d'augmenter sa durée de vie.
4. Veuillez vous assurer que le bouton **volume général** du Uber FX est à zéro.
5. Mettez l'enceinte Uber FX sous tension.
6. Raccordez tous vos appareils.
7. Mettre tous les appareils sous tension dans l'ordre suivant.
 - source d'entrée audio (p. ex. microphones, instruments, lecteurs CD/MP3)
 - Uber FX
8. Réglez le volume à un niveau confortable.
9. Remettre le bouton **volume général** à zéro et mettez le Uber FX hors tension lorsque vous ne l'utilisez pas.

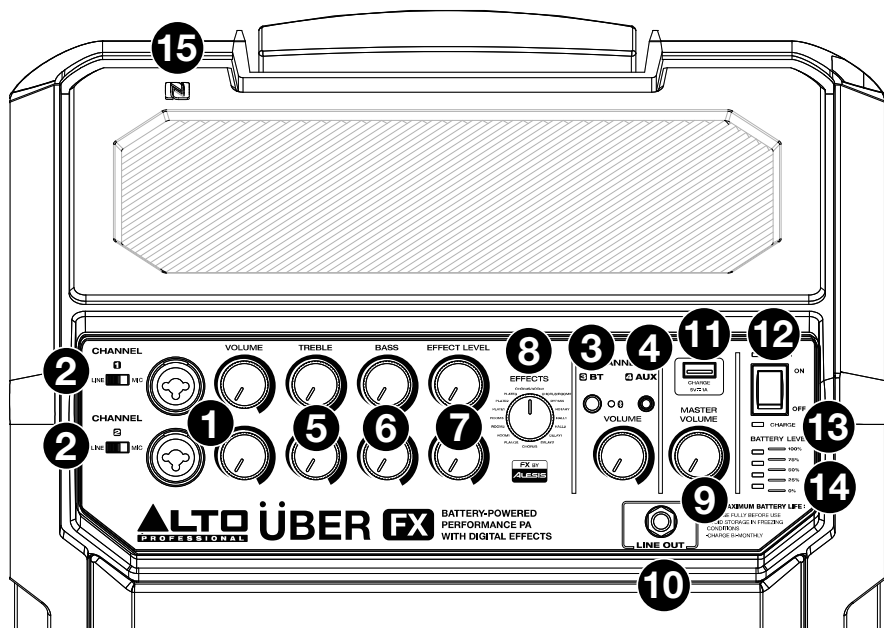
Exemple



Les éléments qui ne figurent pas dans la section **Présentation > Contenu de la boîte** sont vendus séparément.

Caractéristiques

Panneau avant



- Entrées combo avec commande de volume :** Utilisez un câble de XLR ou TRS 6,35 mm (1/4 po) (*non inclus*) pour brancher une source audio à ces entrées. Le bouton **volume** permet d'ajuster le volume pour chacune des entrées.
- Sélecteur Line/Mic :** Utilisez ce sélecteur pour régler l'**entrée** pour une source à niveau ligne ou à niveau micro.
Remarque : Si vous utilisez un instrument équipé de micros passifs, réglez le sélecteur sur **Mic**. Si vous utilisez un instrument équipé de micros actifs, réglez le sélecteur sur **Line**.
- Bluetooth :** La **DEL de Bluetooth** sera allumée lorsqu'un périphérique est jumelé à l'Uber FX. Cette DEL ne sera pas allumée lorsque le Uber FX est d'abord alimenté (à moins qu'il ait été jumelé avec un périphérique auparavant). Appuyez sur le bouton pour **Bluetooth** le périphérique Bluetooth jumelé.
- Entrée auxiliaire avec commande de volume :** Cette entrée stéréo 3,5 mm (1/8 po) permet de brancher un lecteur CD, un lecteur MP3 ou autres sources audio. Commande de volume règle les niveaux de l'entrée auxiliaire et Bluetooth.
- Hi EQ (Aiguës) :** Ce bouton permet d'ajuster le niveau des hautes fréquences du signal audio du canal correspondant.
- Lo EQ (Graves) :** Ce bouton permet d'ajuster le niveau des basses fréquences de l'audio du canal.
- Niveau d'effet :** Règle la quantité d'effet interne qui sera appliqué au canal.

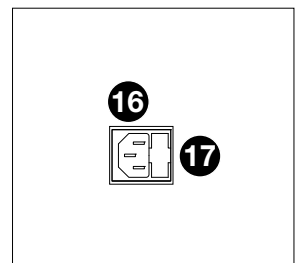
8. **Sélecteur effet** : Ce bouton permet de sélectionner l'effet que le processeur d'effet interne (alimenté par *Effects de Alesis*) ajoutera aux différents canaux. Chaque canal peut envoyer différents niveaux d'audio au processeur en ajustant leurs boutons **Niveau d'effet**. Veuillez consulter la section **Fonctionnement > Effets** pour une explication des différents effets disponibles.
9. **Volume général** : Ce bouton permet de régler le volume du mix général qui comprend l'entrées microphone/instrument, l'entrée auxiliaire, et l'audio d'un périphérique Bluetooth jumelé.
10. **Sortie ligne** : Cette sortie TRS 6,35 mm peut être connectée à une entrée auxiliaire stéréo ou à une console de mixage à l'aide d'un câble séparateur TRS- à Dual-TS (*non inclus*). La sortie ligne est en aval du contrôle du volume principal.
11. **Port de rechargement USB** : Branchez le câble de rechargement de votre périphérique à cette prise pour le recharger. Le rechargement de la pile par la connexion USB fonctionne uniquement lorsque l'appareil est allumé.

Remarque : Pour recharger plus rapidement vos smartphones et tablettes, mettez l'écran de votre périphérique en veille.

12. **Interrupteur d'alimentation** : Met l'hautparleur sous et hors tension. Assurez-vous que le bouton du **volume** soit complètement fermé (« zéro ») avant de mettre le haut-parleur sous tension. Lorsque l'enceinte est sous tension, la **DEL Power** située au-dessus est allumée.
13. **Indicateur Charge** : Cette DEL s'allume lorsque la Uber FX est branchée à l'alimentation secteur afin d'indiquer que le rechargement de la batterie est en cours. Une fois la batterie rechargée, la DEL s'éteint.
14. **Indicateur de niveau de batterie** : Lorsque l'appareil est sous tension, ces quatre témoins indiquent le niveau de batterie. La durée de vie de la pile dépend de l'utilisation de l'appareil et du réglage du niveau du volume.
15. **NFC** (communication en champ proche [CCP]) (panneau supérieur) : Touchez brièvement le logo CCP avec le périphérique équipé de la technologie CCP afin de le jumeler à l'appareil. Veuillez consulter la section **Jumelage Bluetooth à l'aide de la technologie CCP** afin d'en savoir plus.

Panneau arrière

1. **Entrée d'alimentation** (panneau arrière) : Branchez le câble d'alimentation inclus à cette entrée pour recharger l'appareil. Veuillez noter que lorsque le câble d'alimentation est branché, la batterie se recharge même lorsque l'appareil est utilisé.
2. **Fusible** : Si le fusible de l'appareil doit être remplacé, soulevez cette languette afin de le remplacer. Remplacez-le par un fusible de calibre approprié (imprimé sous l'entrée d'alimentation de l'enceinte). L'utilisation d'un fusible de calibre inapproprié pourrait endommager l'enceinte et/ou le fusible.



Fonctionnement

Jumelage d'un appareil Bluetooth

1. Veuillez mettre votre périphérique Bluetooth sous tension.
2. Allumez le Uber FX avec l'**interrupteur d'alimentation**. Si vous avez précédemment jumelé un autre périphérique Bluetooth, l'enceinte Uber FX se reconnectera à cet appareil.
3. Accédez à l'écran de configuration de votre appareil Bluetooth, recherchez « **Uber FX** » et lancez le jumelage.

Remarque : Si votre appareil vous demande un mot de passe ou NIP, entrez « **0000** ».

4. L'**DEL Bluetooth** s'allume lorsqu'il est « jumelé ».
Si votre périphérique Bluetooth ne parvient pas à se jumeler au Uber FX, appuyez sur la **touche Bluetooth** du Uber FX afin de supprimer la connexion à d'autres périphériques Bluetooth et remettre à zéro le module Bluetooth.
5. Lancez la lecture de votre périphérique Bluetooth.
6. Appuyez sur la touche Bluetooth pour déjumeler l'appareil Bluetooth déjà branché et puis répétez l'étape 3 à connecter à un autre appareil Bluetooth.

Remarque : Si vous éprouvez de la difficulté à jumeler votre appareil ou à faire jouer de la musique, faites une mise à jour du système d'exploitation de votre appareil.

Jumelage Bluetooth à l'aide de la technologie CCP

La communication en champ proche (CCP) permet l'échange de données entre appareils, tel que le jumelage, en effleurant l'un des appareils contre l'autre. Vérifiez le guide d'utilisation de votre appareil afin de déterminer si cette fonctionnalité est prise en charge.

Jumelage au Uber FX à l'aide de la technologie CCP :

1. Afin d'utiliser la fonctionnalité CCP, le périphérique doit être activé et son écran déverrouillé.
2. Entrez dans le menu **Réglages** de votre périphérique et vérifiez que la fonction **CCP** est activée (à faire uniquement lors du premier jumelage).
3. Mettez l'enceinte Uber FX sous tension.
4. Touchez brièvement le logo CCP situé sur le panneau supérieur de l'enceinte Uber FX avec votre périphérique.
5. Suivez les instructions de jumelage qui s'affichent sur votre périphérique. Si votre appareil vous demande d'entrer un mot de passe, entrez **0000**.
6. Pour supprimer la connexion, effleurez le périphérique contre le logo CCP.

Utilisation de l'entrée auxiliaire

Branchez un smartphone, lecteur MP3 ou un autre appareil similaire à l'entrée auxiliaire. Réglez le volume de sortie de votre appareil source et ajustez le volume global à l'aide du bouton Volume du Uber FX.

Effets

Pour entendre les effets sur un canal : Augmentez le niveau du bouton **Niveau d'effet** pour ce canal. Utilisez le **sélecteur d'effet** pour sélectionner un des effets ci-dessous :

Effets de réverbération

- **HALL 1 :** Correspond à la simulation de la réverbération d'une grande salle de concert convenant aux voix et aux instruments.
- **HALL 2 :** Correspond à la simulation de la réverbération d'une salle de concert plus chaleureuse convenant à la batterie, au piano et autres instruments.
- **ROOM 1 :** Correspond à la simulation d'une réverbération d'une d'une moyenne pièce, convenant à la voix, aux guitares solistes et autres instruments.
- **ROOM 2 :** Correspond à la simulation d'une réverbération brillante d'une d'une petite pièce, convenant à la batterie et à la percussion et également aux guitares électriques et autres instruments.
- **ROOM 3 :** Correspond à la simulation de la réverbération d'une grande pièce plus chaleureuse convenant aux instruments acoustiques.
- **PLATE 1 :** Correspond à la simulation d'une réverbération à plaque avec un long délai et une tonalité chaleureuse.
- **PLATE 2 :** Correspond à la simulation d'une réverbération à plaque avec une tonalité aiguë et un affaiblissement moyen.
- **PLATE 3 :** Correspond à la simulation d'une réverbération à plaque brillante et courte, idéale pour créer des espaces subtils.

Effets de modulation

- **CHORUS :** Un ensemble d'effets de 6 voix avec de courts délais aussi connus comme « Chorus / Doublage ». Affaiblissement du rajet du signal discret. Lent et dilué.
- **FLANGE :** Flange stéréo classique : un son lent et légèrement métallique avec un affaiblissement de trajet du signal stéréo.
- **ROTARY :** Reproduit le son classique d'une enceinte acoustique à effet Leslie, créant un effet Doppler similaire à celui d'un orgue. Convient aux guitares, voix, clavier et autres instruments.

Effet de délai

- **DELAY 1 :** Un simple écho sans rétroaction particulièrement efficace avec les voix et les guitares d'accompagnements.
- **DELAY 2 :** Délai polyrythmique de moyenne durée avec rétroaction de croisement. Ratio de 3 à 4 entre la durée de délai gauche et droit (291 à 388 ms) pour 3/4 vs une impression de 4/4. Utile pour les solistes lorsqu'un écho long et soutenu est désiré.

Multi-effets

- **CHORUS – ROOM 1 :** Réverbération devant un effet flanger lent créant une illusion d'espace.
- **CHORUS – ROOM 2 :** Une modulation rapide créant un effet chorus dramatique dans une petite pièce avec un son profond et un affaiblissement de trajet du signal stéréo.

BYPASS : Dérivation du processeur d'effet – aucun effet n'est entendu.

Guide de dépannage

Si l'appareil ne se recharge pas : Veuillez-vous assurer que le câble d'alimentation secteur est correctement branché à l'entrée d'alimentation et à une prise secteur.

Lorsqu'il y a de la distorsion : Essayez de diminuer le volume du périphérique audio, de l'instrument de musique ou du microphone. Essayez également de réduire le volume général de l'enceinte Uber FX.

Lorsqu'il y a trop de basses fréquences : Essayez de régler le niveau de tonalité et d'égalisation sur l'appareil de source d'entrée audio afin de diminuer le niveau des basses fréquences. Cela vous permettra d'augmenter le volume de la musique avant que l'écrtage se produise.

Lorsqu'il y a un sifflement aigu lors de l'utilisation des microphones : Ceci est probablement causé par l'effet Larsen (feedback). Dirigez le microphone loin des haut-parleurs.

Si vous ne pouvez entendre le microphone au-dessus de la musique : diminuez le volume de la musique de la source audio.

Si vous ne pouvez pas entendre votre instrument : Vérifiez le réglage du **sélecteur Line/Mic**. Si vous utilisez un instrument équipé de micros passifs, réglez le sélecteur sur **Mic**.

Si vous ne parvenez pas à lire le matériel sur la clé USB : Les port USB est uniquement à recharger les périphériques USB.

Si vous ne pouvez connecter votre appareil audio à la Uber FX par connexion Bluetooth :

- Veillez à ce que votre appareil audio (p. ex., smartphone ou tablette) et la Uber FX soient le plus près possible l'un de l'autre lors du jumelage. Veillez également à ce qu'aucun obstacle ne se trouve entre l'appareil audio et la Uber FX, comme des murs, des meubles, etc.
- Réinitialisez la connexion Bluetooth sur la Uber FX afin de supprimer toute connexion à la Uber FX et recommencer le processus de recherche d'appareil. Si cela ne fonctionne pas immédiatement, mettez la Uber FX hors tension et de nouveau sous tension. Veillez consulter la section **Jumelage d'un appareil Bluetooth** afin d'en savoir plus.
- Réinitialisez la connexion Bluetooth sur l'appareil audio en désactivant et réactivant la connexion Bluetooth. Vous pouvez effectuer ceci à partir du menu Bluetooth dans les Réglages de votre smartphone ou autre appareil audio.

Si cela ne fonctionne pas et que vous avez déjà connecté votre appareil à la Uber FX auparavant, veuillez rechercher la Uber FX dans la liste des appareils disponibles ou précédemment connectés dans le menu Bluetooth de votre appareil audio, puis appuyer sur l'icône engrenage ou « i » située à côté de « Oublier cet appareil ». Mettez la Uber FX hors tension et de nouveau sous tension et réessayez de la jumeler une fois qu'elle apparaît dans la liste des appareils disponibles.

Remarque : Si la Uber FX a été récemment jumelée à un autre appareil audio qui est toujours dans son champ de portée, il se peut que vous deviez répéter ce processus avec cet appareil audio afin de supprimer la connexion.

Guida per l'uso (Italiano)

Introduzione

Grazie per aver acquistato l'Uber FX. Per noi di Alto Professional, prestazioni e affidabilità contano moltissimo, proprio come per te. Ecco perché progettiamo i nostri dispositivi con un unico obiettivo in mente: rendere le tue prestazioni le migliori possibili.

Nota bene: prima di utilizzare per la prima volta il prodotto, ricaricare a fondo la batteria. L'apparecchio è stato appositamente spedito con una carica ridotta della batteria per garantire un trasporto sicuro.

Servirsi del cavo di alimentazione in dotazione per collegare l'apparecchio a una presa di alimentazione e lasciarlo in carica per 12 ore. Ciò aiuta a garantire la massima durata della batteria.

Contenuti della confezione

Uber FX

Cavo di alimentazione

Guida per l'uso

Istruzioni di sicurezza e garanzia

Assistenza

Per conoscere le ultime informazioni in merito a questo prodotto (i requisiti di sistema complete, compatibilità, ecc) e per la registrazione del prodotto, recarsi alla pagina altoproaudio.com.

Per ulteriore assistenza, recarsi alla pagina altoproaudio.com/support.

Batterie ricaricabili

Le batterie ricaricabili al piombo-acido sono dello stesso tipo di quelle utilizzate nelle automobili. Come nel caso della batteria dell'auto, la maniera in cui si utilizza questa batteria ha un notevole impatto sulla sua vita utile. Con un utilizzo adeguato, una batteria al piombo-acido può durare per anni. Ecco alcune raccomandazioni per garantire la massima durata dalla batteria interna.

Utilizzo generico Caricare a fondo il prodotto prima di utilizzare l'altoparlante.

Caricare a fondo il prodotto prima di riporlo.

Come riporre l'apparecchio Per la massima longevità del prodotto, evitare di riporlo a temperature eccessivamente elevate (superiori a 32 °C / 90 °F) o eccessivamente fredde (meno di 0 °C / 32 °F).

L'impianto audio può essere lasciato collegato. Così facendo la batteria non si sovraccarica.

Se si lascia il livello della batteria basso e non la si ricarica per 6 mesi, potrebbe perdere capacità in via permanente.

Riparazioni Se la batteria non si carica, contattare il dipartimento parti di ricambio alla pagina altoproaudio.com.

Come eliminare l'apparecchio Recarsi con l'apparecchio presso un centro di riciclaggio oppure eliminarlo in conformità con le normative locali.

Importanti precauzioni di sicurezza

Nota bene: Alto Professional e inMusic declinano qualsiasi responsabilità per l'uso dei loro prodotti o per l'utilizzo errato delle presenti informazioni a qualsiasi scopo. Alto Professional e inMusic non sono responsabili per il cattivo utilizzo dei loro prodotti causato dalla mancata conformità con le procedure di ispezione e manutenzione. Fare riferimento al manuale di sicurezza e garanzia per maggiori informazioni.



Avvertenza: Per ridurre il rischio di scossa elettrica, non collegare il Uber FX a una presa di corrente quando la griglia è stata rimossa.

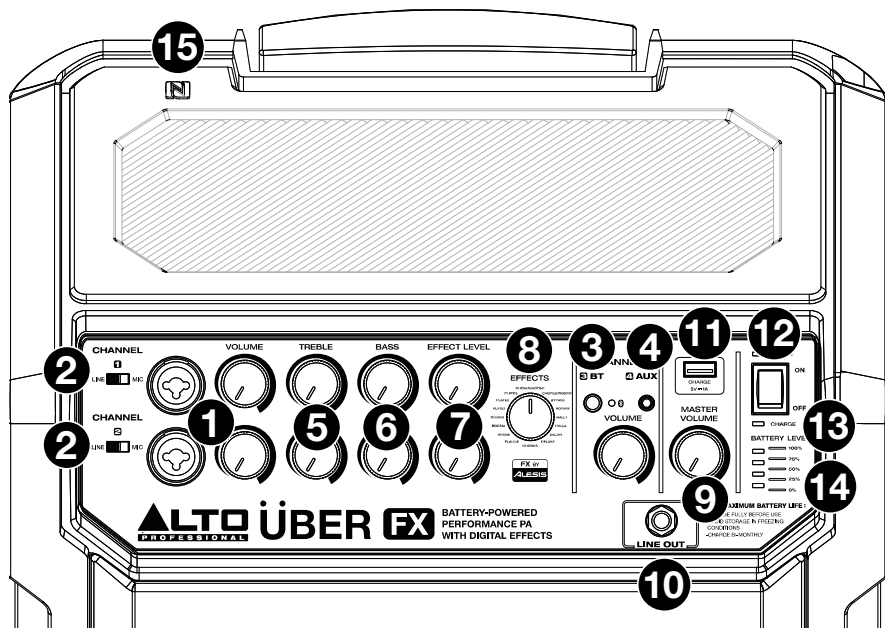
Livello dell'audio

L'esposizione a livelli di rumore estremamente elevati può causare danni permanenti all'udito. L'OSHA americana (Occupational Safety and Health Administration) ha specificato le esposizioni ammissibili a determinati livelli di rumore. Secondo l'OSHA, l'esposizione a elevati livelli di pressione sonora (SPL) in eccesso rispetto ai limiti indicati può causare la perdita dell'udito. Quando si utilizzano attrezzature in grado di generare elevati SPL, servirsi di dispositivi di protezione dell'udito quando tali attrezzature sono in uso.

Ore al giorno	SPL (dB)	Esempio
8	90	Piccolo concerto
6	92	Treno
4	95	Metropolitana
3	97	Casse da tavolo ad alto volume
2	100	Concerto di musica classica
1,5	102	Macchina ribaditrice
1	105	Fabbrica di macchinari
0,5 (30 minuti)	110	Aeroporto
0,25 (15 minuti) o meno	115	Concerto Rock

Caratteristiche

Pannello anteriore



- Ingressi combo con comando di regolazione del volume:** Servirsi di un cavo standard XLR o TRS da 6,35 mm (1/4") (*non in dotazione*) per collegare la fonte audio a questi ingressi. Girare il comando **volume** per regolare il volume di ciascun ingresso.
- Interruttore Line/Mic:** servirsi di questo interruttore per impostare l'**ingresso** in modo che accetti una fonte audio a livello di linea o a livello mic.

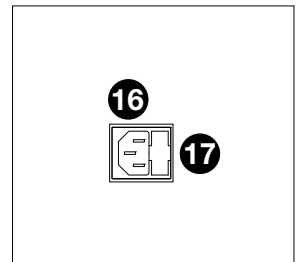
Nota bene: quando si utilizzano strumenti con pickup passivi, impostare l'interruttore su **Mic**. Quando si utilizzano strumenti con pickup attivi, impostare l'interruttore su **Line**.
- Bluetooth:** il **LED Bluetooth** sarà acceso quando un dispositivo è accoppiato al Uber FX. Il LED non sarà acceso quando il Uber FX viene acceso (a meno che non fosse accoppiato in precedenza con un dispositivo). Premere il pulsante **Bluetooth** per scollegare di un dispositivo Bluetooth accoppiato.
- Ingresso ausiliario con comando di regolazione del volume:** questo ingresso stereo da 3,5 mm (1/8") può essere utilizzato per collegare un lettore CD, un lettore MP3 o altre sorgenti audio. Il comando di regolazione del volume regola il volume dell'ingresso ausiliario e Bluetooth.
- Alte EQ (Treble):** Regola le frequenze alte (treble) del canale.
- Basse EQ (Bass):** Regola le frequenze basse (bass) del canale.
- Livello di effetti:** Regola la quantità di effetti interni che verranno applicati al canale.

8. **Selettore degli effetti:** Seleziona l'effetto che il processore di effetti interno Uber FX (alimentato dagli effetti di Alesis) applicherà ai vari canali. Ciascun canale può inviare livelli di audio differenti al processore regolando le relative manopole **Livello di Effetti**. Si veda la sezione **Operazione > Effetti** per la spiegazione relativa agli effetti disponibili.
9. **Comando volume principale:** questo comando regola il volume principale di mix dell'altoparlante, che comprende l'ingressi microfono/strumento, l'ingresso ausiliario (aux), e l'audio di un dispositivo Bluetooth accoppiato.
10. **Uscita linea:** Questa uscita TRS da 6,35 mm (1/4") può essere collegata a un ingresso ausiliario stereo o a un mixer utilizzando un cavo splitter TRS a doppio-TS (*non incluso*). L'uscita di linea è post volume master.
11. **Porte di carica USB:** collegare a questo livello il cavo di ricarica del dispositivo per ricaricarlo. La carica tramite USB funziona unicamente quando l'apparecchio è acceso.

Nota bene: per caricare smartphone e tablet più in fretta, mettere lo schermo del dispositivo in stand-by.
12. **Interruttore di alimentazione:** Accende e spegne l'altoparlante. Assicurarsi che la comando **volume** sia impostata su "zero" prima di accenderlo. Quando l'altoparlante è acceso, il **LED Power** al di sopra di esso sarà acceso.
13. **Indicatore di carica Charge:** questo LED si illumina quando l'Uber FX è collegato all'alimentazione CA per indicare che è in carica. Una volta portata a termine la ricarica, il LED si spegne.
14. **Indicatore di livello batteria:** ad apparecchio acceso (on), queste quattro luci indicano la carica residua della batteria. La durata della batteria dipende dal volume e dall'uso.
15. **NFC** (comunicazione in prossimità) (pannello superiore): toccare e tenere brevemente premuto il dispositivo abilitato contro il logo NFC per collegare il dispositivo. Si veda **Accoppiamento di un dispositivo Bluetooth servendosi dell'NFC** per maggiori informazioni.

Pannello posteriore

1. **Ingresso cavo di alimentazione** (pannello posteriore): per caricare l'apparecchio, inserire a questo livello il cavo di alimentazione in dotazione. Va notato che quando il cavo di alimentazione è collegato, la batteria si caricherà anche quando l'apparecchio è in uso.
2. **Fusibile:** se il fusibile dell'apparecchio deve essere sostituito, sollevare questa linguetta per raggiungerlo. Sostituire il fusibile con uno dalla tensione nominale adeguata (stampata sotto l'ingresso per il cavo di alimentazione dell'apparecchio). L'utilizzo di un fusibile dalla tensione nominale errata può danneggiare l'apparecchio e/o il fusibile.



Operazione

Collegamento a un dispositivo Bluetooth

1. Accendere il dispositivo Bluetooth.
2. Accendere il Uber FX utilizzando il **interruttore di alimentazione**.
3. Navigare nella schermata di configurazione del dispositivo Bluetooth, trovare **Uber FX** e collegarlo.

Nota bene: Se il dispositivo richiede un codice o PIN, inserire **0000**.

4. L'**LED di Bluetooth** rimarrà illuminato quando è "accoppiato".

Se il dispositivo Bluetooth non è in grado di effettuare l'accoppiamento al Uber FX, premere il **tasto Bluetooth** del Uber FX stesso per interrompere collegamenti Bluetooth precedenti e azzerare il modulo Bluetooth.

5. Avviare la riproduzione del dispositivo Bluetooth.
6. Per scollegare un dispositivo Bluetooth collegato e collegare un altro dispositivo Bluetooth, premere il tasto Bluetooth e ripetere la fase 3.

Nota bene: in caso di problemi nell'accoppiare gli apparecchi o nel riprodurre la musica, aggiornare il sistema operativo del dispositivo.

Accoppiamento di un dispositivo Bluetooth servendosi dell'NFC

L'NFC (comunicazione in prossimità) consente lo scambio di dati tra dispositivi, come nell'accoppiamento, mettendoli delicatamente insieme. Verificare nel manuale del proprio dispositivo se questa funzione è supportata.

Per utilizzare l'NFC per l'accoppiamento con il Uber FX:

1. Per utilizzare l'NFC, il dispositivo deve essere acceso e sbloccato.
2. Entrare nel menu **Settings** del dispositivo e verificare che **NFC** sia acceso (**On**) (questo passaggio andrà effettuato una sola volta).
3. Accendere il Uber FX.
4. Toccare e mantenere brevemente il dispositivo contro il logo NFC situato sul pannello superiore del Uber FX.
5. Seguire le istruzioni di accoppiamento che compaiono sul telefono. Se viene richiesta una password, digitare **0000**.
6. Spingere delicatamente il dispositivo contro il logo NFC.

Utilizzo dell'ingresso Aux

Collegare smartphone, lettore MP3 o dispositivo simile all'ingresso Aux. Regolare il volume di uscita del dispositivo sorgente e regolare il volume complessivo servendosi del comando Volume del Uber FX.

Effetti

Per sentire gli effetti su un canale: Accendere **Livello di effetti** per quel canale. Servirsi della manopola **Effects Selector** per scegliere uno degli effetti qui di seguito:

Effetti reverb

- **HALL 1:** un ampio e limpido effetto di riverbero da sala da concerti adatto per voci e strumenti.
- **HALL 2:** un ampio e caldo effetto di riverbero da sala da concerti adatto per batteria, pianoforte e altri strumenti.
- **ROOM 1:** un effetto di riverbero di medie dimensioni moderatamente luminoso adatto per voci, attacchi e altri strumenti.
- **ROOM 2:** un piccolo effetto di riverbero di estremo riflesso luminoso adatto per batteria e percussioni, nonché per chitarre elettriche e altri strumenti.
- **ROOM 3:** un effetto di riverbero da sala ampia e calda adatto a strumenti acustici.
- **PLATE 1:** un ricco e liscio effetto plate reverb vocale con un lungo tempo di decadenza ed una tonalità calda.
- **PLATE 2:** una simulazione di un plate reverb vintage, con una tonalità luminosa, leggermente tintinnanti ed un decay di lunghezza media.
- **PLATE 3:** un effetto plate reverb breve e luminoso, efficace nel creare spazi sottili.

Effetti di modulazione

- **CHORUS:** un complesso effetto d'insieme chorus a 6 voci con brevi delay cui si fa spesso riferimento come "Chorus / Doubler". Percorso di segnale stereo discreto. Lento e acquoso.
- **FLANGE:** classico flange stereo: uno sweep lento, leggermente metallico con un percorso di segnale stereo discreto.
- **ROTARY:** il simulatore di altoparlante rotante rapido crea il classico e ricco effetto Doppler del corno rotante di un organo. Efficace con chitarre, voci, tastiere e altri strumenti.

Effetti delay

- **DELAY 1:** un semplice eco slap back privo di feedback particolarmente efficace per voci e chitarre ritmate.
- **DELAY 2:** delay a più ritmi di media lunghezza con feedback crossover. rapporto da 3 a 4 tra i tempi di delay sinistro e destro (L ed R) (da 291 a 388 ms) per una sensazione a 3/4 vs. 4/4. Utile per strumenti in assolo in cui si desidera un effetto eco lungo e finale.

Multi effetti

- **CHORUS – ROOM 1:** riverbero da sala in una lenta modulazione di flangia che crea un effetto spazioso.
- **CHORUS – ROOM 2:** una rapida modulazione offer un drammatico effetto chorus in una piccola sala per un ricchissimo suono chorus + reverb con un percorso di segnale stereo discreto.

BYPASS: bypassa il processore di effetti: non si sente alcun effetto.

Risoluzione di problemi

Se l'apparecchio non si ricarica: assicurarsi che il cavo di alimentazione sia collegato adeguatamente all'ingresso di alimentazione e a una presa elettrica.

Il suono è distorto: provare ad abbassare il volume della propria fonte audio, dello strumento musicale o del microfono. Inoltre, provare a ridurre il volume complessivo del Uber FX utilizzando la comando Volume Master.

Eccessivi bassi: provare a regolare la tonalità o il comando EQ a livello della fonte audio per abbassare il livello dei bassi. Ciò permetterà di suonare la musica più forte prima che salti (che si verifichi distorsione).

Quando si utilizzano i microfoni si verifica un fischio ad alto pitch: si tratta probabilmente di ritorno. Puntare i microfoni lontani dalle casse.

Se non si sente il microfono al di sopra del volume della musica: abbassare il volume della musica a livello della fonte.

Se non si sente lo strumento: verificare l'impostazione dell'interruttore **Line/Mic**. Se si utilizza uno strumento con pickup passivi, impostare l'interruttore su **Mic**.

Impossibile riprodurre musica da un drive flash: le porta USB sono intese unicamente per la ricarica di dispositivi USB.

Se non è possibile collegare il vostro dispositivo audio a Uber FX tramite Bluetooth:

- Avvicinare il più possibile il vostro dispositivo audio (es. smartphone o tablet) e Uber FX mentre provate a connetterli. Assicurarsi che il dispositivo audio e Uber FX non siano ostacolati da pareti, mobili, ecc.
- Ripristinare la connessione Bluetooth di Uber FX per scollegare Uber FX da qualsiasi altro dispositivo audio e riavviare il processo di ricerca. Se non funziona subito, spegnere Uber FX e riavviarlo nuovamente. Consultare [Collegamento a un dispositivo Bluetooth](#) per ulteriori informazioni.
- Ripristinare la connessione Bluetooth sul vostro dispositivo audio spegnendo e riavviando il Bluetooth. Potete trovarlo nel menù Bluetooth delle Impostazioni del vostro telefono o di un altro dispositivo audio.

Se ancora non funziona e avete già collegato Uber FX in passato, cercate Uber FX nella lista dei dispositivi disponibili o collegati in precedenza al Bluetooth del vostro dispositivo audio, cliccare sulla "ruota" o sull'icona a "i" situata accanto e selezionare **Scollega** o **Dimentica**. Spegner e riaccendere Uber FX, poi provare ad allinearlo nuovamente una volta ricomparso nella lista dei dispositivi disponibili.

Nota bene: se Uber FX è stato allineato da poco ad un altro dispositivo audio che si trova nelle vicinanze, è possibile ripetere il procedimento con quel dispositivo audio per scollegarlo completamente.

Benutzerhandbuch (Deutsch)

Einführung

Vielen Dank für den Kauf des Uber FX. Bei Alto Professional schätzen wir Leistung und Zuverlässigkeit – genau wie Sie. Darum entwerfen wir unsere Geräte stets nur mit einem einzigen Ziel vor Augen: Ihre Anwendung so gut wie möglich zu unterstützen.

Hinweis: Bevor Sie das Produkt zum ersten Mal verwenden, laden Sie bitte den Akku vollständig auf. Ihr Produkt wurde absichtlich mit einer reduzierten Batterieladung ausgeliefert, um einen sicheren Transport zu gewährleisten.

Verwenden Sie das mitgelieferte Netzkabel, um das Produkt an eine Steckdose anzuschließen, und lassen Sie das Gerät bis zu 12 Stunden laden. Dies trägt dazu bei, die Lebensdauer Ihres Akkus zu verlängern.

Lieferumfang

- Uber FX
- Netzkabel
- Benutzerhandbuch
- Sicherheitshinweise und Garantiefinformationen

Kundendienst

Für aktuelle Informationen zu diesem Produkt (Systemanforderungen, Informationen zur Kompatibilität etc.) und zur Produktregistrierung besuchen Sie altoproaudio.com.

Um weitere Unterstützung zu Ihrem Produkt zu erhalten, besuchen Sie altoproaudio.com/support.

Wiederaufladbare Batterien

Bei wiederaufladbaren Bleibatterien handelt es sich um die gleiche Art von Batterien, die in Autos verwendet werden. Und wie bei Ihrer Autobatterie ist es auch für die Nutzungsdauer dieser Batterie von äußerster Wichtigkeit, wie sie verwendet wird. Bei vorschriftsmäßigem Gebrauch und richtiger Pflege kann eine Bleibatterie jahrelang halten. Lesen Sie die nachstehenden Empfehlungen, um aus der eingebauten Batterie das Beste herauszuholen.

- Allgemeine Verwendung**
 - Laden Sie den Akku vollständig auf, bevor Sie den Lautsprecher verwenden.
 - Laden Sie den Akku nach jedem Gebrauch vollständig auf.
- Aufbewahrung**
 - Lagern Sie das Produkt nie bei extrem warmen (mehr als 32 °C / 90 °F) oder Uber FX mäßig kalten (weniger als 0 °C / 32 °F) Temperaturen, um die optimale Langlebigkeit zu erzielen.
 - Sie können Ihr Sound-System angesteckt lassen. Der Akku wird dabei nicht Uber FX laden.
 - Wenn Ihr Akku einen niedrigen Ladestand hat und Sie ihn 6 Monate lang nicht aufladen, kann er dauerhaft an Kapazität verlieren.
- Reparatur**
 - Wenn sich der Akku nicht aufladen lässt, kontaktieren Sie Alto Professional Uber FX altoproaudio.com.
- Entsorgung**
 - Bringen Sie das Gerät in ein Recyclingzentrum oder entsorgen Sie es entsprechend lokaler Verordnungen.

Wichtige Sicherheitshinweise

Bitte beachten Sie: Alto Professional und inMusic sind weder für die Verwendung ihrer Produkte noch für den Missbrauch dieser Informationen für beliebige Zwecke verantwortlich. Alto Professional und inMusic sind nicht für die missbräuchliche Verwendung ihrer Produkte verantwortlich, die durch verabsäumte Inspektions- und Wartungsarbeiten verursacht wurde. Bitte beachten Sie auch das mitgelieferte Handbuch für Sicherheitshinweise und Garantieinformationen.



Achtung: Um die Gefahr von Stromschlägen zu verringern, sollten Sie Über FX nicht an eine Steckdose anschließen, solange das Gitter entfernt ist.

Schallpegel

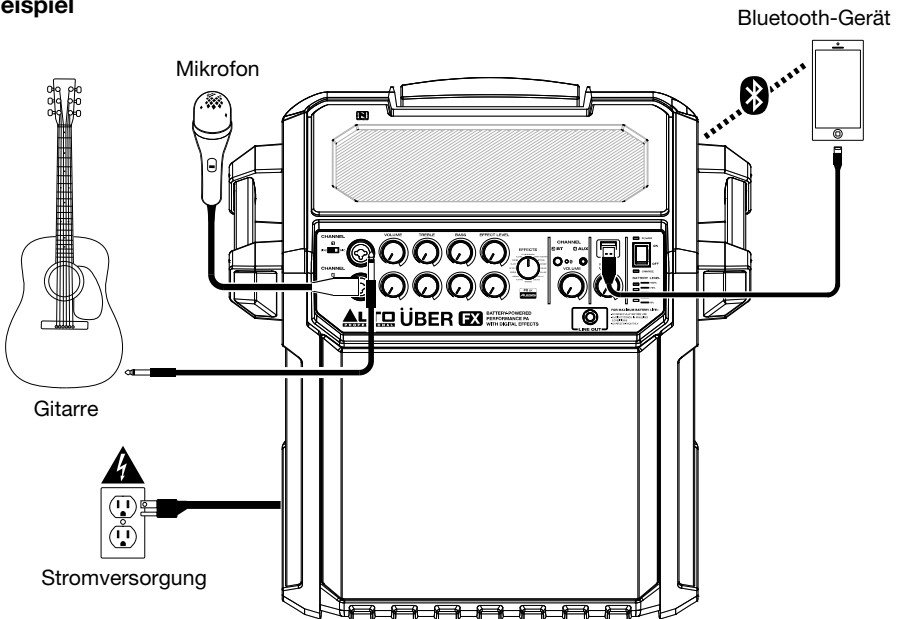
Eine Exposition gegen Über FX extrem hohen Lärmpegeln kann zu bleibenden Hörschäden führen. Die Occupational Safety and Health Administration (OSHA) der US-Regierung hat zulässige Expositionswerte für bestimmte Lärmpegel festgelegt. Laut OSHA können Belastungen durch Schalldruckpegel (SPL), die diese Grenzwerte Über FX schreiten, zu Hörverlust führen. Tragen Sie beim Einsatz von Geräten, die einen hohen Schalldruck erzeugen können, stets einen Gehörschutz.

Stunden pro Tag	SPL (dB)	Beispiel
8	90	Kleines Konzert
6	92	Zug
4	95	U-Bahn
3	97	Leistungsstarke Desktop-Monitore
2	100	Konzert mit klassischer Musik
1,5	102	Nietmaschine
1	105	Maschinenfabrik
0,5	110	Flughafen
0,25 oder weniger	115	Rock-Konzert

Setup

1. Stellen Sie sicher, dass alle im **Lieferumfang** aufgelisteten Teile in der Verpackung enthalten sind.
2. Lesen Sie die *Sicherheitshinweise und Garantieinformationen* bevor Sie das Produkt verwenden.
3. Stellen Sie sicher, dass der Akku vor der ersten Verwendung vollständig aufgeladen ist, um eine maximale Akkulebensdauer zu erzielen.
4. Stellen Sie sicher, dass die **Gesamtlautstärke** des Über FX auf Null steht.
5. Schalten Sie den Über FX ein.
6. Anschluss Ihres Geräts.
7. Schalten Sie das System in der folgenden Reihenfolge ein:
 - Eingangsquellen (z.B. Mikrofon, Instrumente und/oder CD-Player)
 - Über FX
8. Erhöhen Sie die Lautstärke auf ein angenehmes Niveau.
9. Bringen Sie die Gesamtlautstärke wieder auf Null und Schalten Sie den Über FX aus, wenn das Gerät nicht in Gebrauch ist.

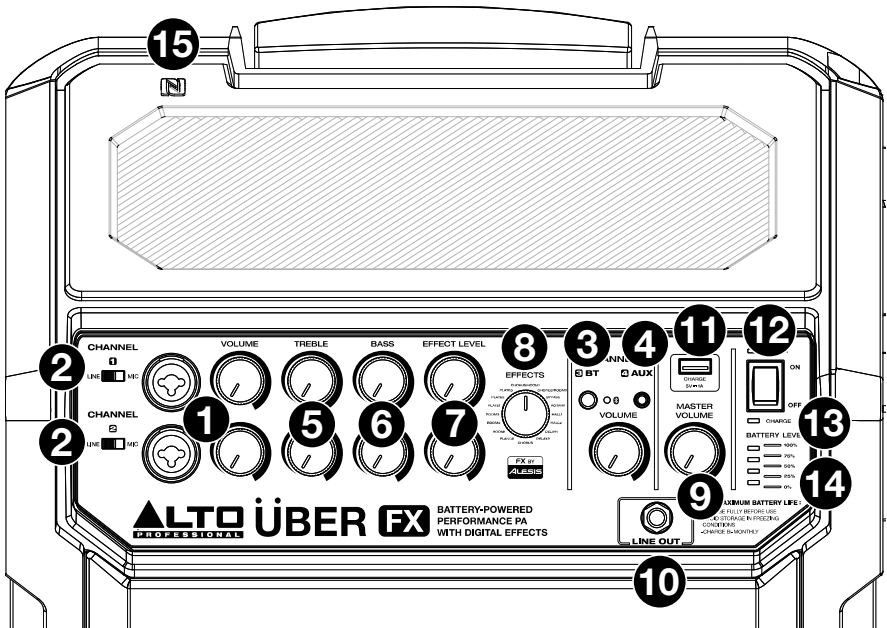
Beispiel



Teile, die nicht unter **Einführung > Lieferumfang** angegeben sind, sind separat erhältlich.

Funktionen

Vorderseite



- Combo-Eingänge mit Lautstärkeregler:** Verwenden Sie ein handelsübliches 6,35 mm (1/4") TRS- oder XLR-Kabel (*nicht im Lieferumfang enthalten*), um Ihre Tonquelle mit diesen Eingängen zu verbinden. Drehen Sie den **Lautstärke**-Regler, um die Lautstärke für jeden Eingang einzustellen.
- Line/Mic-Schalter:** Verwenden Sie diesen Schalter, um für den Eingang entweder eine Line-Pegel- oder eine Mic-Pegel-Tonquelle auszuwählen.

Hinweis: Wenn Sie ein Instrument mit passiven Pickups verwenden, sollten Sie den Schalter auf die **Mic**-Einstellung umlegen. Beim Einsatz eines Instruments mit aktiven Pickups, sollten Sie die **Line**-Einstellung verwenden.

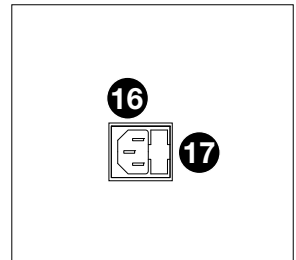
- Bluetooth:** Die **Bluetooth-LED** leuchtet, wenn ein Gerät mit dem Über FX gekoppelt ist. Diese LED leuchtet nicht, wenn der Über FX zum ersten Mal eingeschaltet wird (es sei denn, er wurde zuvor mit einem Gerät gekoppelt). Drücken Sie die **Bluetooth-Taste**, um ein angeschlossenes Bluetooth-Gerät zu trennen.
- Auxiliary-Eingang mit Lautstärkeregler:** Dieser 3,5 mm (1/8")-Eingang (Stereo) kann dazu verwendet werden, einen CD-Player, MP3-Player oder eine andere Audioquelle anzuschließen. Lautstärkeregler für Aux-Eingang und Bluetooth-Lautstärke.
- Hi EQ (Höhen):** Regelt die hohen Frequenzen (Höhen) des Kanals.
- Low EQ (Bass):** Regelt die tiefen Frequenzen (Bass) des Kanals.
- Effektstufe:** Stellt ein, wie viel des internen Effekts auf den Kanal angewendet wird.

8. **Effektwahlschalter:** Wählt den Effekt aus, den der interne Effektprozessor (powered by *Effekte von Alesis*) Über FX an die verschiedenen Kanäle sendet. Jeder Kanal kann unterschiedliche Anteile an den Prozessor senden, indem die jeweiligen **Effektstufe**-Regler justiert werden. Eine Beschreibung der verfügbaren Effekte finden Sie im Abschnitt **Betrieb > Effekte**.
9. **Gesamtlautstärkeregler:** Regelt die Gesamtlautstärke des Lautsprechers. Dies beinhaltet den Instrument-/Mikrofon-Eingänge, den Aux-Eingang, und das Audiosignal eines gekoppelten Bluetooth-Geräts.
10. **Line-Ausgang:** Dieser 6,35 mm TRS-Ausgang kann über ein TRS-zu-Dual-TS-Verteilerkabel (*nicht im Lieferumfang enthalten*) an einen Stereo-Hilfseingang oder an ein Mischpult angeschlossen werden. Der Line-Ausgang ist ein Post-Master-Lautstärkereglerl.
11. **USB-Anschlüsse:** Schließen Sie das Ladekabel Ihres Geräts hier an, um es aufzuladen. Das Laden via USB funktioniert nur, wenn das Gerät eingeschaltet ist.

Hinweis: Um Ihre Smartphones und Tablets schneller aufzuladen, bringen Sie den Bildschirm des Geräts in den Ruhemodus.
12. **Netzschalter:** Schaltet den Lautsprecher ein/aus. Achten Sie darauf, dass der Lautstärke-Regler auf "Null" steht, bevor Sie den Lautsprecher einschalten. Wenn der Lautsprecher eingeschaltet wird, leuchtet die **Power-LED** darüber.
13. **Charge-Anzeige:** Diese LED leuchtet auf, wenn Uber FX an Gleichstrom angeschlossen ist und geladen wird. Sobald das Laden beendet ist, erlischt die LED.
14. **Batteriestand-LEDs:** Wenn das Gerät eingeschaltet wird, zeigen diese vier LEDs an, wie viel Spannung in der Batterie vorhanden ist. Die Laufzeit der Batterie variiert auf Grund von Lautstärke und Betriebsdauer.
15. **NFC** (kabellose Nahbereichskommunikation): Berühren und halten Sie Ihr unterstütztes und NFC-fähiges Gerät kurz an das NFC-Logo, um das Gerät zu koppeln. Weitere Informationen finden Sie unter **Koppeln eines Bluetooth-Geräts mit NFC**.

Rückseite

1. **Netzkabeleingang:** Stecken Sie das mitgelieferte Netzkabel an, um das Gerät aufzuladen. Bitte beachten Sie, dass wenn das Netzkabel angeschlossen ist, die Batterie auch dann geladen wird, wenn das Gerät im Einsatz ist.
2. **Sicherung:** Wenn die Sicherung des Geräts ersetzt werden muss, heben Sie diese Klappe, um die Sicherung freizulegen. Ersetzen Sie sie mit einer Sicherung, die einen geeigneten Sicherungswert besitzt (siehe Aufdruck unter dem Netzkabeleingang des Geräts). Die Verwendung einer Sicherung mit falschem Sicherungswert kann das Gerät und/oder Sicherung beschädigen.



Verbindung mit einem Bluetooth-Gerät

1. Schalten Sie Ihr Bluetooth-Gerät ein.
2. Schalten Sie den Über FX mit dem **Netzschalter** ein.
3. Navigieren Sie zum Setup-Bildschirm Ihres Bluetooth-Geräts, suchen Sie **Über FX** und verbinden Sie die Geräte.

Hinweis: Wenn Ihr Gerät die Eingabe eines Passcodes oder eines PINs anfordert, geben Sie **0000** ein.

4. Die **Bluetooth-LED** leuchtet dauerhaft, wenn die Geräte "gekoppelt" sind.
Wenn Ihr Bluetooth-Gerät keine Verbindung zum Über FX herstellen kann, drücken Sie am Über FX die **Bluetooth-Taste**, um frühere Bluetooth-Verbindungen zu trennen und das Bluetooth-Modul zurückzusetzen.
5. Starten Sie die Wiedergabe auf Ihrem Bluetooth-Gerät.
6. Um ein angeschlossenes Bluetooth-Gerät zu trennen und eine Verbindung mit einem anderen Bluetooth-Gerät herzustellen, drücken Sie die Bluetooth-Taste. Wiederholen Sie Schritt 3.

Hinweis: Wenn Sie Probleme bei der Musikwiedergabe oder beim Verbinden Ihres Gerätes haben, aktualisieren Sie das OS Ihres Gerätes.

Koppeln eines Bluetooth-Geräts mit NFC

NFC (kabellose Nahbereichskommunikation) ermöglicht den Datenaustausch von Geräten, wie z. B. die Kopplung durch leichtes Anstoßen. Lesen Sie in der Gebrauchsanleitung Ihres Geräts nach, ob diese Funktion unterstützt wird.

So nutzen Sie NFC, um eine Verbindung mit dem Uber FX herzustellen:

1. Um NFC zu nutzen, muss das Gerät eingeschaltet und entsperrt werden.
2. Gehen Sie in das **Einstellungen**-Menü des Geräts und kontrollieren Sie, ob **NFC eingeschaltet** ist (einmaliger Schritt).
3. Schalten Sie den Uber FX ein.
4. Berühren und halten Sie Ihr Gerät kurz zum NFC-Logo am Oberseite des Uber FX.
5. Folgen Sie den Anweisungen zum Koppeln, die auf Ihrem Telefon angezeigt werden. Wenn ein Passcode erforderlich ist, geben Sie **0000** ein.
6. Stoßen Sie Ihr Gerät leicht gegen das "N"-Logo, um die Verbindung zu trennen.

Verwendung der Aux-Eingänge

Verbinden Sie Ihren smartphone, MP3-Player oder ein ähnliches Gerät mit dem Aux-Eingang. Passen Sie die Lautstärke auf Ihrem Quellgerät an und stellen Sie dann am Uber FX die Gesamtlautstärke mit dem Lautstärkeregler ein.

Effekte

So Hören Sie die Effekte Eines Kanals: Drehen Sie den **Effektstufe** für den Kanal auf. Verwenden Sie den **Effektwahlschalter**, um einen der folgenden Effekte auszuwählen:

Reverb-Effekte

- **HALL 1:** Ein großer, heller Konzerthalleneffekt, der sich für Gesang und Instrumente eignet.
- **HALL 2:** Ein starker, warmer Konzerthallen-Reverb-Effekt, der sich für Schlagzeug, Piano und andere Instrumente eignet.
- **ROOM 1:** Ein mittelgroßer, mäßig heller und reflektierender Nachhall-Effekt, der sich für Gesang, Lead-Gitarren und andere Instrumente eignet.
- **ROOM 2:** Ein schwacher, stark reflektierender, heller Nachhall-Effekt, der sich für Schlagzeug, Perkussionsinstrumente, E-Gitarren und andere Instrumente eignet.
- **ROOM 3:** Ein starker, warmer Room-Halleffekt, der sich besonders für akustische Instrumente eignet.
- **PLATE 1:** Ein voller, glatter Plattenhall für Gesang mit langer Abklingzeit und warmer Charakteristik.
- **PLATE 2:** Eine Emulation eines Vintage-Plattenhalls mit heller, etwas blecherner Charakteristik und einer Abklingzeit von mittlerer Länge.
- **PLATE 3:** Ein kurzer, heller Plattenhall, der sich für die Schaffung subtiler Klangräume eignet.

Modulations-Effekte

- **CHORUS:** Ein komplexer, 6-stimmiger Chorus-Ensemble-Effekt mit kurzen Verzögerungen, der oft als "Chorus / Doubler" bezeichnet wird. Getrennter Stereo-Signalweg. Langsam und verschwommen.
- **FLANGE:** Klassischer Stereo-Flange: ein langsames, leicht metallisches Anschwellen mit getrenntem Stereo-Signalweg.
- **ROTARY:** Der schnelle Rotary-Simulator erzeugt den klassischen, vollen Doppler-Effekt eines rotierenden Orgelhorns. Dies eignet sich für Gitarren, Gesang, Keyboards und andere Instrumente.

Delay-Effekte

- **DELAY 1:** Ein einfaches Slapback-Echo ohne Rückkopplung, das sich besonders für Gesang und Rhythmusgitarren eignet.
- **DELAY 2:** Mittellanges, polyrhythmisches Delay mit Crossover-Feedback. 3:4 Verhältnis für L/R-Verzögerungszeiten (291 bis 388ms), um 3/4- oder 4/4-Akzente zu setzen. Eignet sich für Soloinstrumente, wo ein langer, nachhallender Echo-Effekt erwünscht ist.

Multi-Effekte

- **CHORUS - ROOM 1:** Room-Reverb mit einer langsamen Flanger-Modulation erzeugt einen räumlichen Effekt.
- **CHORUS - ROOM 2:** Schnelle Modulation schafft einen dramatischen Chorus-Effekt in einem kleinen Raum, um einen besonders vollen Chorus + Reverb-Sound mit getrenntem Stereo-Signalweg zu erzielen.

BYPASS: Umgeht den Effekt-Prozessor - es werden keine Effekte zu hören sein.

Fehlerbehebung

Wenn das Gerät nicht aufgeladen wird: Stellen Sie sicher, dass das Netzkabel ordnungsgemäß mit dem Netzeingang und einer Stromquelle verbunden ist.

Der Ton klingt verzerrt: Drehen Sie den Lautstärkereglern an Ihrer Tonquelle, dem Musikinstrument oder dem Mikrofon zurück. Versuchen Sie auch, die Gesamtlautstärke von Uber FX mit dem Gesamtlautstärkereglern zu reduzieren.

Zu viel Bass: Versuchen Sie, den Ton- oder EQ-Regler Ihrer Tonquelle anzupassen, um den Bass zu verringern. Dies ermöglicht Ihnen, die Musik lauter abzuspielen, bevor der Klang verzerrt.

Bei der Verwendung von Mikrofonen tritt einer hoher Pfeifton auf: Hier handelt es sich wahrscheinlich um einen Rückkopplungseffekt. Richten Sie es so ein, dass die Mikrofone vom Lautsprecher wegzeigen.

Wenn das Mikrofon im Vergleich zur Musik zu leise eingestellt ist: Verringern Sie die Musiklautstärke Ihrer Quelle.

Wenn Sie Ihr Instrument nicht hören können: Überprüfen Sie die Einstellung des **Line/Mic-Schalters**. Wenn Sie ein Instrument mit passiven Pickups verwenden, sollten Sie den Schalter auf die **Mic**-Einstellung umlegen.

Wenn Sie keine Musik von einem USB-Stick spielen können: Die USB-Anschlüsse ist nur dem Aufladen von USB-Geräten.

Wenn Sie Ihr Audiogerät nicht über Bluetooth mit Uber FX verbinden können:

- Positionieren Sie Ihr Audiogerät (z. B. Smartphone oder Tablet) und Uber FX so nahe wie möglich zueinander, um eine Verbindung herzustellen. Stellen Sie sicher, dass sowohl das Audiogerät als auch Uber FX nicht von Wänden, Möbeln usw. blockiert werden.
- Setzen Sie die Bluetooth-Verbindung am Uber FX zurück, um Uber FX von einem anderen Audiogerät zu trennen und starten den Suchvorgang neu. Wenn dies nicht sofort funktioniert, schalten Sie Uber FX aus und dann wieder ein. Weitere Informationen finden Sie unter **Verbindung mit einem Bluetooth-Gerät**.
- Setzen Sie die Bluetooth-Verbindung auf Ihrem Audiogerät zurück, indem Sie Bluetooth aus- und wieder einschalten. Sie finden dies unter dem Bluetooth-Menü in den Einstellungen für Ihr Telefon oder anderes Audiogerät.

Wenn dies nicht funktioniert und Sie bereits eine Verbindung zu Uber FX hergestellt haben, suchen Sie in der Liste der verfügbaren oder zuvor verbundenen Geräte im Bluetooth-Menü Ihres Audiogerätes nach Uber FX, tippen neben dem Gerät auf das "Zahnrad"-Symbol oder "i" und wählen dann **Trennen** oder **Gerät ignorieren**. Schalten Sie Uber FX aus und wieder ein und versuchen Sie es erneut, sobald es wieder in der Liste der verfügbaren Geräte angezeigt wird.

Hinweis: Wenn Uber FX kürzlich mit einem anderen Audiogerät gekoppelt wurde, das sich noch in Reichweite befindet, müssen Sie diesen Vorgang möglicherweise mit diesem Audiogerät wiederholen, um die Verbindung vollständig zu trennen.

Appendix (English)

Technical Specifications

Output Power	100 W (peak)
Drivers	Low-Frequency: 8.0" / 203 mm woofer High-Frequency: 3.0" / 76 mm tweeter
Frequency Response	60 Hz – 17 kHz (± 3 dB)
Connectors	(2) Line/Mic channels with XLR-1/4" (6.35 mm) TRS combination input (1) 1/8" (3.5 mm) TRS/stereo Aux input (1) 1/4" (6.35 mm) Line-Out (1) IEC AC power connection with Mains Fuse
Charge Port	(1) USB +5 V, 1 A
Controls	(2) Volume controls for Line/Mic channels (2) Line/Mic selectors (2) Treble EQ controls (+/- 12 dB @ 10 kHz) for Line/Mic channels (2) Bass EQ controls (+/- 12 dB @ 100 Hz) for Line/Mic channels (1) Effect Selector (2) Effect Level controls for Line/Mic channels (1) Volume control for Bluetooth and Aux channels (1) Master Volume (1) Bluetooth pairing button (1) Power on/off switch
Indicators	Power On, battery level, Bluetooth pairing status
Bluetooth Specifications	Version: 4.2 Maximum Transmission Power: Class 2, 4 dBm Frequency: 2.4–2.480 GHz Profile: A2DP, AVRCP Range: Up to 100 feet / 30.5 meters Connection: Manual pairing or NFC
Battery	Type: 12 V, 7.0 Ah SLA Life: Up to 45 hours Charging: 12 hours
Power	Connection: IEC Voltage: 100–240 VAC, 50/60 Hz Fuse: T2AL AC250V
Dimensions (height x width x depth)	18.1" x 18.3" x 11.0" / 459 x 464 x 278 mm
Weight	24.7 lbs. / 11.2 kg

Specifications are subject to change without notice.

Bluetooth and wireless reception and range are affected by walls, obstructions, and movement. For optimal performance, place the product in the center of the room so it is unobstructed by walls, furniture, etc. Battery life may vary based on temperature, age, and volume usage of product.

Trademarks & Licenses

Alto Professional is a trademark of inMusic Brands, Inc., registered in the U.S. and other countries.

The *Bluetooth* word mark and logos are owned by the Bluetooth SIG, Inc. and any use of such marks by Alto Professional is under license.

Alesis is a trademark of inMusic Brands, Inc., registered in the U.S. and other countries.

All other product names, company names, trademarks, or trade names are those of their respective owners.

altoproaudio.com