



MKE 400



Quick Guide	Kort vejledning
Kurzanleitung	Pikaohje
Guide de démarrage rapide	Γρήγορος οδηγός
Guía rápida	Κίσα Kılavuz
Instrucciones resumidas	Краткая инструкция
Instruções resumidas	快速指南
Beknopte gebruiksaanwijzing	快速使用指南
Krótką instrukcja obsługi	クイックガイド
Snabbguide	퀵 가이드

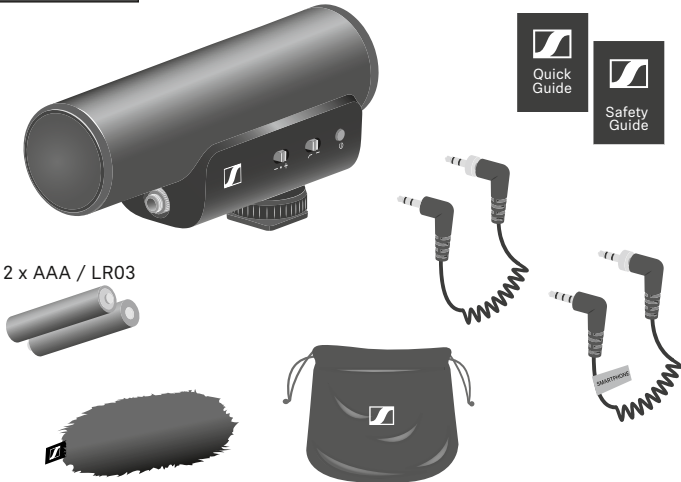
Sennheiser electronic GmbH & Co. KG

Am Labor 1, 30900 Wedemark, Germany
www.sennheiser.com

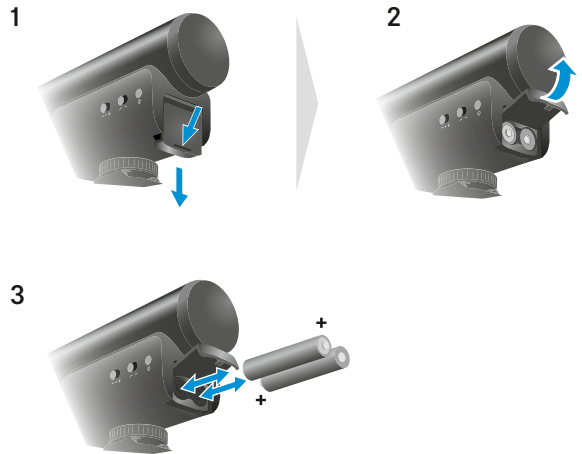
Publ. 10/20, 587402/A03

SENNHEISER

In the box



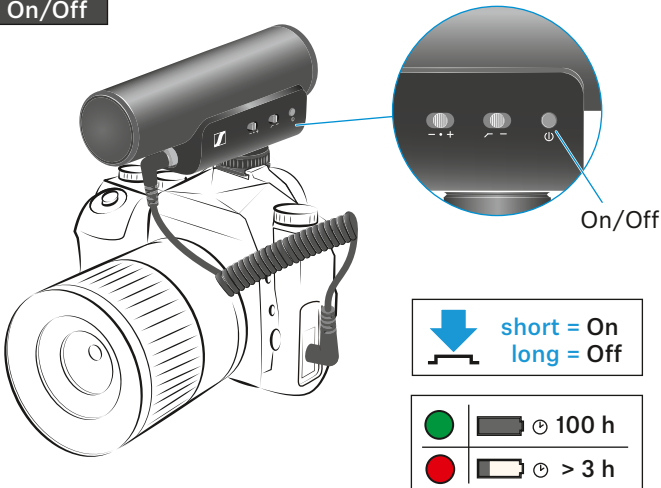
Battery



Setup



On/Off



Auto On/Off

Connect MKE 400 to the camera for automatic On/Off

Camera: On

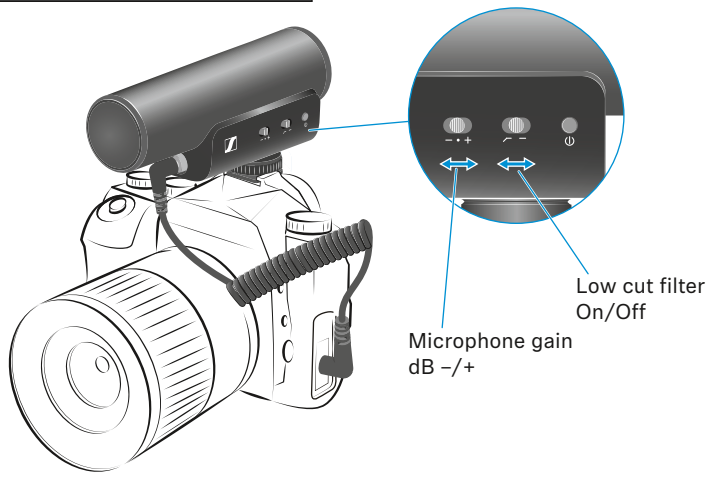
MKE 400: On

Camera: Off

MKE 400: Off

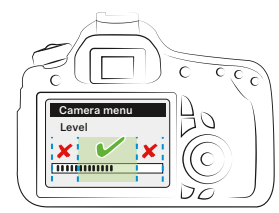


Low cut / Microphone gain



Microphone gain

	-20 dB
	0 dB
	+20 dB



Low cut filter

	On
	Off

Specifications

Microphone

Transducer principle	pre-polarized condenser
Pick-up pattern	super cardioid
Frequency response	50 to 20,000 Hz
Sensitivity at 1 kHz	-23 / -42 / -63 dB V/Pa
Max. SPL at 1 kHz	132 dB SPL
Power supply	battery (2x AAA / LR03 size, 1.5 V)
Auto power function	plug-in power required (2 - 10 V)
Operating time	>100 h*
Low battery indicator	>3 h of remaining operating time
Microphone output	3.5 mm jack, screwable
Dimensions	126 x 67 x 37 mm
Weight	93.5 g

* less when headphone is connected

Headphone output

Headphone output	3.5 mm jack
Min. headphone impedance	16 Ω
Output power at 1 kHz	105 mW (Headphone impedance 16 Ω) 70 mW (Headphone impedance 32 Ω)
Total harmonic distortion	<1% at 50 mW
Digital volume control	8 steps á 6 dB

Headphone

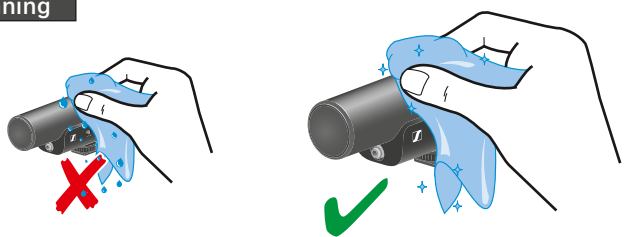


Headphone Volume -/+

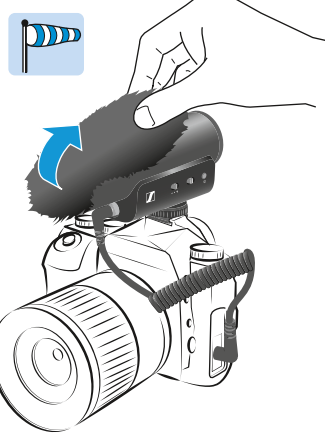
Headphone Output, 3.5 mm jack



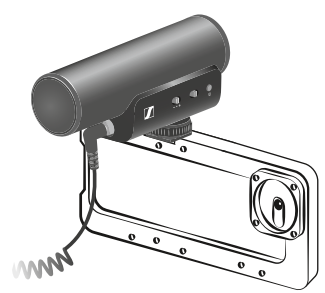
Cleaning



Accessory



Smartphone



flight mode recommended

Polar pattern / Frequency response

