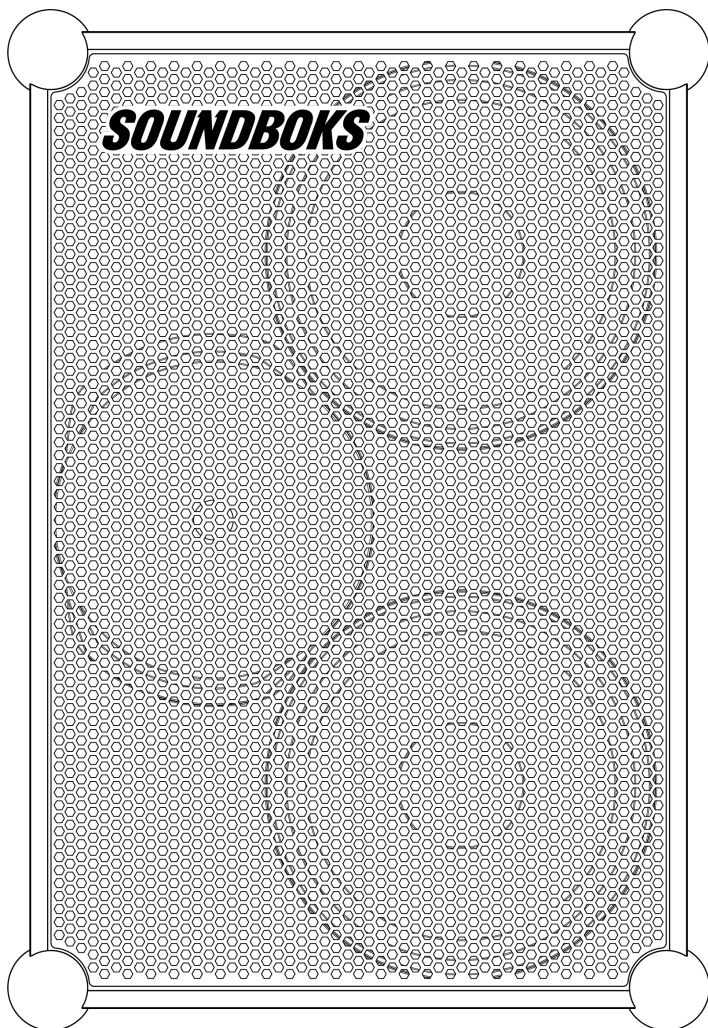


***SOUNDBOKS***

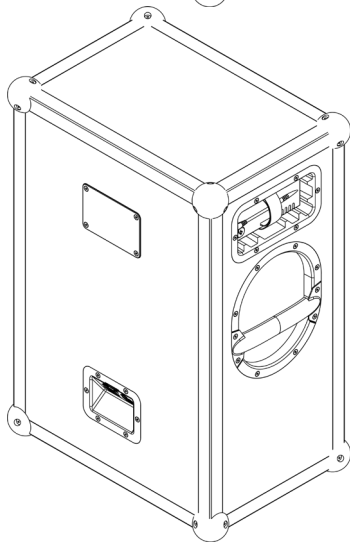
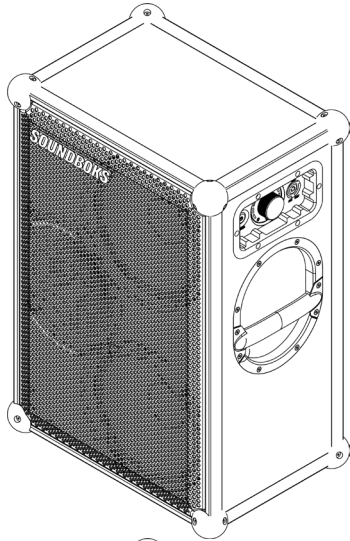
# **SOUNDBOKS (GEN. 4) USER MANUAL**

**Manuel de l'Utilisateur | Manual De Uso | Benutzerhandbuch**  
**| 用户手册 | دليل المستخدم**

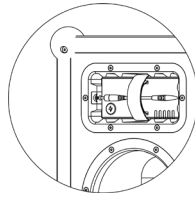


# THE NEXT GENERATION OF SOUNDBOKS

Harness the full power of a new level of sound, design and Bluetooth Performance. This is SOUNDBOKS (Gen. 4).

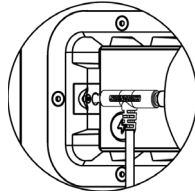


**Questions?  
Get quick answers  
here.**

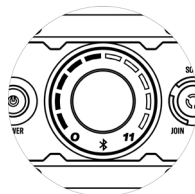


- 01** Charge your BATTERYBOKS fully for ~3.5 hours for optimal performance.
- 02** Once charged, slide (don't force) your BATTERYBOKS into the battery slot until it fits snugly. Then plug in the DC connector.

**!** *Never plug the charger directly into your speaker without the battery. Your charger is not a power supply.*



- 03** The charger is not a power supply. The SOUNDBOKS is designed to operate on battery only. The charger T-jack was designed to be used together with your battery only while playing at moderate volumes. Keep your SOUNDBOKS under half volume—12 o'clock on the dial with 5 lights illuminated—when playing and charging simultaneously.



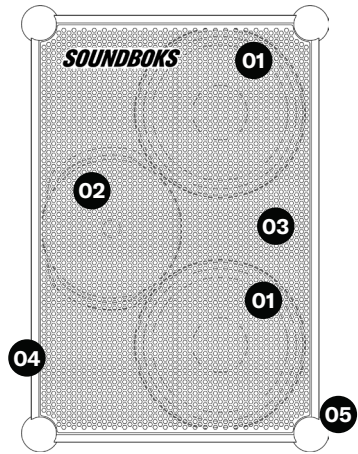
- 04** Power up your speaker by pressing the Power Button. When the LEDs around the volume knob light up, you're ready to connect.
- 05** To connect, go to your device's Bluetooth settings, find and select SOUNDBOKS #YourTeamID. Your unique Team ID is located on the back of your speaker.
- 06** Choose your favorite song, turn up, go out and Break Through the Noise.

<b>1. SOUNDBOKS (GEN. 4)</b>	<b>04</b>
1.1 Overview	
1.2 Specifications	
1.3 LED behavior	
1.4 Customization	
1.5 SKAA & Bond Button	
<b>2. BATTERYBOKS &amp; CHARGER</b>	<b>14</b>
2.1 Overview	
2.2 Charging the BATTERYBOKS	
<b>3. WARRANTY AND SERVICE</b>	<b>16</b>
<b>4. LIMITATION OF LIABILITY</b>	<b>18</b>
<b>5. DISCLAIMER</b>	<b>19</b>
<b>6. COMPLIANCE</b>	<b>20</b>
<b>7. WARNING, CAUTION &amp; NOTICE</b>	<b>22</b>
<b>8. INTENDED USE</b>	<b>25</b>
<b>9. DISPOSAL INFORMATION</b>	<b>26</b>
<b>10. MARKINGS</b>	<b>27</b>
<b>11. FINAL REMARKS</b>	<b>28</b>

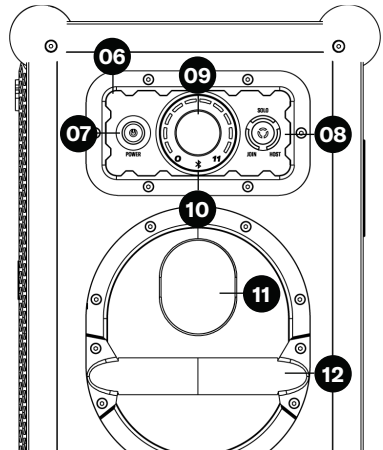
# 1. SOUNDBOKS (GEN. 4)

## 1.1 Overview

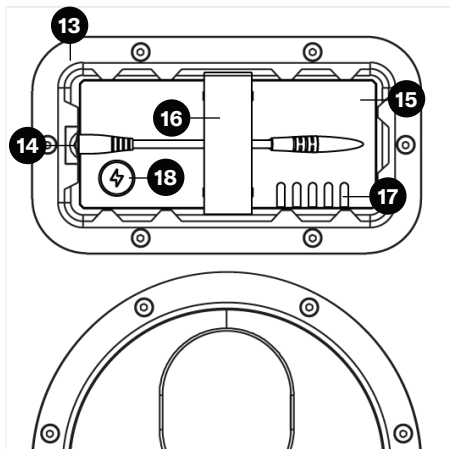
- 1.2 Specifications
- 1.3 LED behavior
- 1.4 Customization
- 1.5 SKAA & Bond Button



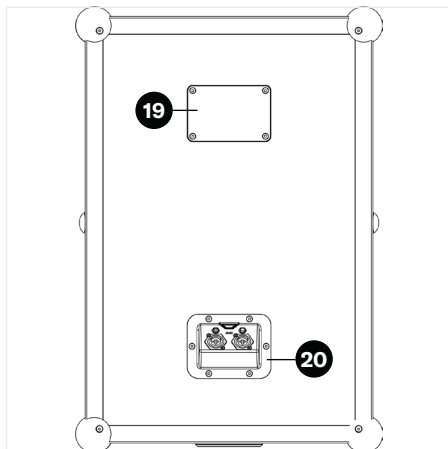
- 01** Bass Drivers
- 02** Tweeter
- 03** Lock-In Grill
- 04** Powder-Coated Aluminum Angles
- 05** Silicone Rubber Ball Corners



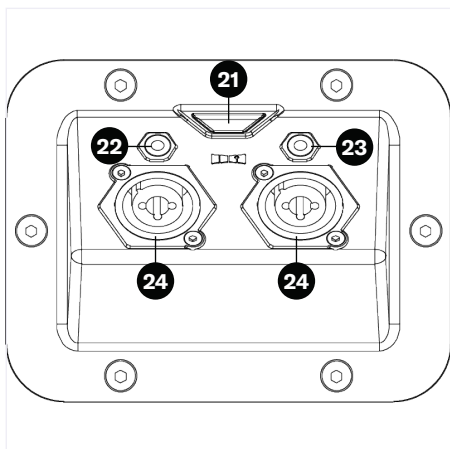
- 06** UI Panel
- 07** POWER Button
- 08** TeamUP Button (SOLO/HOST/JOIN)
- 09** VOLUME Knob
- 10** Bluetooth LED Indicator
- 11** Pulse Reflex Port
- 12** Powder-Coated Steel Handle



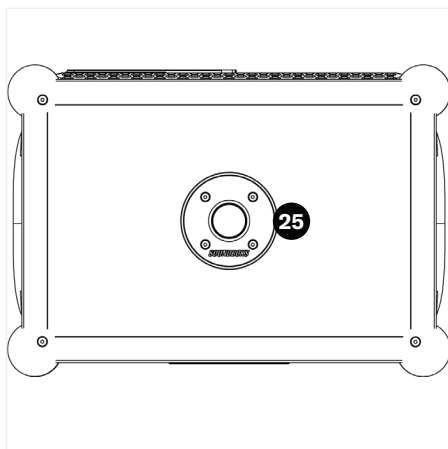
- 13** Battery Port
- 14** DC Input
- 15** BATTERYBOKS
- 16** Strap
- 17** LED Battery Life Indicator
- 18** Battery Level Status Button



- 19** Unique SOUNDBOKS (Gen. 4) Team ID
- 20** Pro-Panel



- 21** SKAA Bond Button and Indicator LED
- 22** 3.5mm (1/8") Stereo Input
- 23** 3.5mm (1/8") Stereo Output
- 24** Combo Microphone/Instrument (XLR, 1/4") Inputs



- 25** Pole Mount

# 1. SOUNDBOKS (GEN. 4)

1.1 Overview

## 1.2 Specifications

1.3 LED behavior

1.4 Customization

1.5 SKAA & Bond Button

## SOUND

### Amplifier

Merus Audio eximo® amp switching  
3 × 72W RMS class D amplifiers  
Advanced Bass DSP

### Driver Units

2 × 10" woofers  
1 × 1" compression driver tweeter

### Acoustics

Effective frequency range: 40Hz - 20kHz  
Custom sound profile with bass enhancer  
Custom Pulse Reflex Port

### Connectivity

Bluetooth 5.0  
TeamUp wireless connection with up to 5  
SKAA compatible SOUNDBOKS products

### Compatibility

Compatible with iPhone® and Android™

### Pro Panel

2 × Combo Microphone/Instrument (XLR, 1/4")  
Inputs  
1 × 3.5mm (1/8") Stereo Input  
1 × 3.5mm (1/8") Stereo Output  
SKAA Bond Button [SKAA PRO ICON]

## BUILD

### Dimensions

66 × 43 × 32 cm ( 25.6 × 17 × 13 inches (H ×  
W × D))

### Weight

16.1 kg / 35.5 lb

## Materials

Poplar cabinet  
Powder-coated aluminum frame  
Powder coated steel handles  
Powder coated or liquid coated (color variant dependent) steel grill  
Silicone ball corners

## Features

Swappable grill and batteries  
Pulse Reflex Port  
1 × Ø35mm Pole mount  
UI Panel:  
Volume control  
HOST/JOIN mode for wireless TeamUP

## Temperature

General use: -20°C to 55°C  
Recommended storage: 5°C to 20°C for an optimal product lifetime

## BATTERY

### Design

5-Step LED battery-life indicator  
Reinforced DC-connector

### Cell Type

Li-Ion Rechargeable Battery  
Lithium Iron Phosphate (LiFePO<sub>4</sub>)

### Battery Performance

Output: 12.8V  $\approx$   
Discharge Temperature - 20°C to 55°C (-4°F to 131°F)  
Charge Temperature 0°C to 40°C (32°F to 104°F)  
Capacity: 99.84Wh or 7.8Ah



## Battery Life

40 hours at mid-volume  
5 hours at full volume  
3.5 hours for full recharge

## Battery Management System (BMS)

Over and under-discharge protection  
Short circuit protection  
Overheat protection  
Cell voltage management  
Sleep mode starts after 14 days of inactivity.  
Press the [icon\_lightning\_carcoal, size to fit inline] button to wake up.

## Transport

Battery is safety certified for safe transport according to UN38.3

## CHARGER

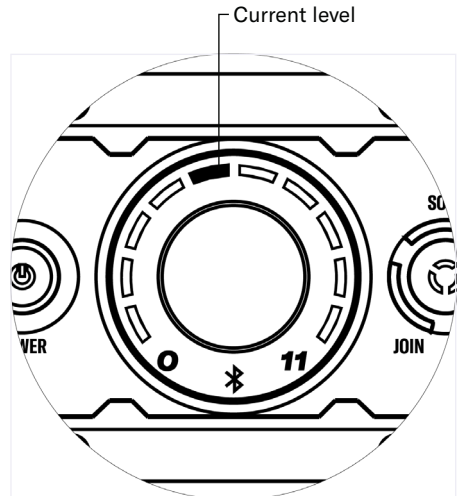
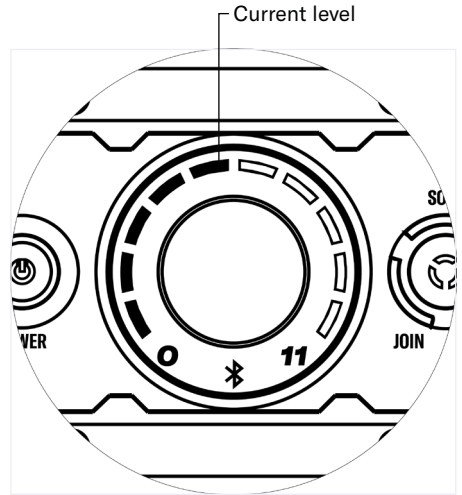
### Charger Performance

Input: 100-240V ~ 50-60Hz, 1.2A MAX  
Output: 14.0V  $\approx$  3.3A

# 1. SOUNDBOKS (GEN. 4)

- 1.1 Overview
- 1.2 Specifications
- 1.3 LED behavior**
- 1.4 Customization
- 1.5 SKAA & Bond Button

Your SOUNDBOKS (Gen. 4) will preserve power by deactivating trailing LEDs after 10 seconds of constant volume level.



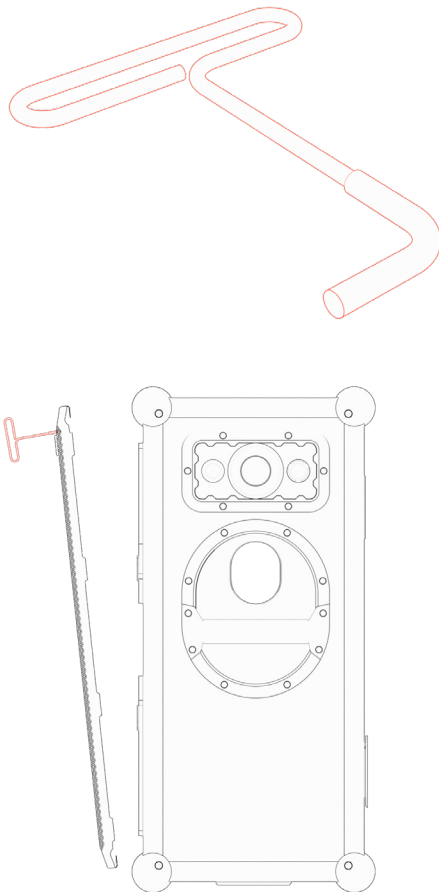


# 1. SOUNDBOKS (GEN. 4)

- 1.1 Overview
- 1.2 Specifications
- 1.3 LED behavior
- 1.4 Customization**
- 1.5 SKAA & Bond Button

The latest SOUNDBOKS grill is built for easy customization—all you need to do is pop off the grill, remove the logo, believe in your creative self, and you can transform your new SOUNDBOKS into a work of art.

Here's a step-by-step guide to start customizing.



## Remove Grill

The SOUNDBOKS (Gen. 4) grill is attached to the speaker using a snap-fit fastener, and can be removed with the included Grill Removal Tool. This tool consists of a handle and a rubberized tip.

To remove the grill, use the rubberized tip to hook into the holes of the grill. Pulling by the corners of the grill will be the easiest. Carefully start to pull the grill off of the speaker. Loosen the grill evenly in multiple points along the edges until it comes off and can be removed by hand.

### **Remove SOUNDBOKS Logo**

Keep that logo clean. Unscrew the logo and put it somewhere safe.

### **Express Yourself**

Make the SOUNDBOKS your own. The grill can handle most types of paint—just be sure to apply a layer of primer before and sealer after to make it last.

### **Party On**

Replace the logo and pop the grill back on. Connect your music, crank it up and take your custom SOUNDBOKS out into the world.

# 1. SOUNDBOKS (GEN. 4)

- 1.1 Overview
- 1.2 Specifications
- 1.3 LED behavior
- 1.4 Customization

## 1.5 SKAA & Bond Button

The following is the official SKAA RECEIVER USER'S GUIDE. It describes in detail how to operate and troubleshoot the Bond Button, located on the back of your SOUNDBOKS (Gen. 4) on the Pro Panel. The Bond Button is the control button for JOIN-mode through the

wireless daisy chaining feature, TeamUP. Each SKAA® receiver has a Green List which remembers your favorite transmitters. A Green Indicator on your receiver means you are listening to a favorite or hunting for one. Your receiver can also explore to find new transmitters—an Amber Indicator means you are exploring for transmitters that are not on your Green List. A Cluster is a product with two or more pieces that behave as one. The Bond Button lets you select which transmitter you're listening to. The Bond Button has the logo consisting of two arrows.



The SKAA Compatible Badge found on the Product certifies that this Product has been tested and is fully compliant with all of the requirements of the SKAA Standard and has been granted SKAA Certification. This Product will work seamlessly with other products in the SKAA ecosystem of audio transmitting and receiving devices. For more information on the SKAA Standard, please visit [www.SKAA.com](http://www.SKAA.com). The SKAA® name as well as its associated marks, logos and icons are trademarks or registered trademarks of Eleven Engineering Incorporated.

Bond Button	Command	Indicator	Meaning
Hold a few seconds	<b>Add / Delete</b> Manually add / delete the current transmitter to / from your Green List.	● to ● ● flash	Added Deleted
-	<b>Auto Add</b> SKAA will automatically add the current Amber transmitter to your Green List if you listen to it for 30 minutes.	● to ●	Added
1 Click	<b>Green Mode</b> Rotate through your list of favourite transmitters (Green List) – when a favourite transmitter is found, the search stops and audio plays from that transmitter.	● dim ● flash ● bright	Hunting Next one Bonded
2 Clicks	<b>Amber Mode</b> Explore for new, unknown transmitters (ones which are not already on your Green List).	● dim ● bright	Hunting Bonded
3 Clicks	<b>Mute</b> do again to Unmute; any Click command will first Unmute and then do its function.	●, ● or ● slow flash	Muted
4 Clicks	<b>Red Mode</b> If you have 2 or more transmitters on your Green List, power on just the one you want to hear and it plays automatically	● dim ● bright	Hunting Bonded
6 Clicks	<b>Factory Reset</b> Clear Green List. Start over!	● flash	Reset done
Hold during power on	<ol style="list-style-type: none"> <li>Place JOIN speakers to be added to the cluster within 3 meters of the Master JOIN speaker.</li> <li>Power off HOST speaker.</li> <li>Power on all JOIN speakers to be added to the cluster, but keep the Master JOIN speaker powered off.</li> <li>On the Master JOIN speaker, hold down the Bond button before pressing Power Button - hold both down and wait until red flashing starts - first release the power button, then the Bond button. The Master JOIN speaker now blinks red. All other LEDs on the Master JOIN speaker go dark.</li> </ol>	● flash  ● bright	Receiver has entered <i>Cluster Up</i> mode.  The Cluster has been successfully made

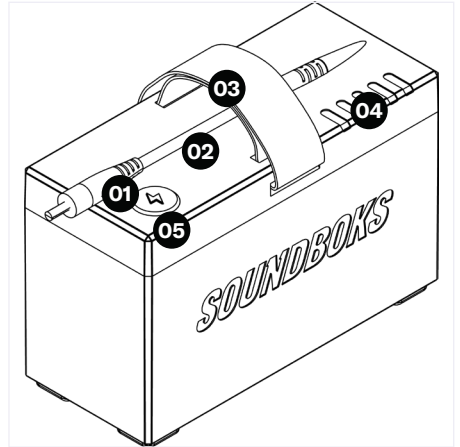
5. While Master JOIN LED blinks red, press the Connect button until JOIN is selected on all JOIN speakers you want to add to the cluster. You will have only 10 seconds for this step.
6. When all JOIN speakers are accepted into the cluster, their LED will turn to constant RED.
7. Once all of the cluster JOIN LEDS are solid red, power off all of the JOIN speakers.
8. Power on the HOST speaker and put it in HOST mode, by clicking the Connect button. Connect BT audio or AUX to play back music on the HOST speaker.
9. Power on JOIN speakers in the cluster and put these in JOIN mode. All speakers are now playing music from the HOST. The volume on all JOIN speakers can be controlled from any of the JOIN speakers in the cluster, the 3 click function of the BOND button is also shared amongst the cluster to mute all JOIN speakers.

The Bond button on the Master JOIN speaker has the same click function as described above. The HOST speaker volume is controlled by its own and is isolated from the cluster. To cancel cluster mode on a unit repeat step 4. Wait for solid red, then 6 click the Bond button

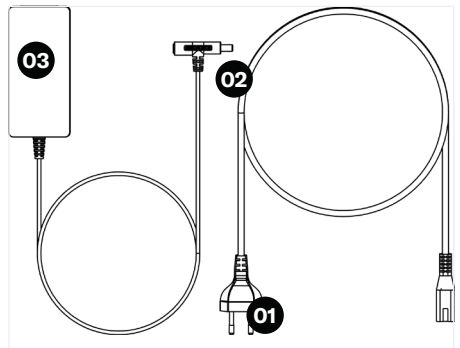
## 2. BATTERYBOKS & CHARGER

### 2.1 Overview

### 2.2 Charging the BATTERYBOKS



- 01** Battery DC Plug
- 02** DC Cable
- 03** Carry Strap
- 04** LED Battery Life Indicator
- 05** Battery Level Status Button



Regional plug for reference only

- 01** Power Supply Cable
- 02** Battery DC Input
- 03** Charger DC Plug

## 2. BATTERYBOKS & CHARGER

### 2.1 Overview

### 2.2 Charging the BATTERYBOKS

Remember to unplug your battery after it has been fully charged and never to leave it charging for more than 6 hours at a time, as this can potentially damage the battery. Here are the two ways of charging your BATTERYBOKS:

#### **Charge the battery outside of the SOUNDBOKS (Gen. 4)**

Insert the BATTERYBOKS DC Plug into the DC Input of your charger and plug the charger's power supply cable into your nearest power outlet

#### **Charge the battery while it's in the SOUNDBOKS (Gen. 4)**

The charger is *not* a power supply. The SOUNDBOKS is designed to operate on battery only. The charger T-jack was designed to be used together with your battery only while playing at moderate volumes. Keep your SOUNDBOKS under half volume—12 o'clock on the dial with 5 lights illuminated—when playing and charging simultaneously.

#### **IMPORTANT**

Never use the SOUNDBOKS (Gen. 4) without a BATTERYBOKS, i.e. by plugging the charger directly to the SOUNDBOKS (Gen. 4).

Use only an official charger and battery sold by SOUNDBOKS or other approved distributor. All official SOUNDBOKS chargers and batteries carries the SOUNDBOKS logo on the back print

### 3. WARRANTY AND SERVICE

SOUNDBOKS WARRANTS (“LIMITED WARRANTY”) THAT THE SOUNDBOKS PRODUCT IS FREE OF DEFECTS IN MATERIALS AND WORKMANSHIP AT THE TIME OF THE ORIGINAL PURCHASE BY THE END-USER (THE “CUSTOMER” OR “YOU”). THIS LIMITED WARRANTY COVERS THE FUNCTIONALITY OF THE SOUNDBOKS PRODUCT FOR ITS NORMAL, INTENDED USE IN AN ENVIRONMENT AS SPECIFIED BELOW ONLY AND DOES NOT COVER MALFUNCTIONS THAT RESULT FROM IMPROPER OR UNREASONABLE USE OR MAINTENANCE AS FURTHER SPECIFIED BELOW IN SECTION 4, AS WELL AS ANY UNAUTHORIZED REPAIR, NORMAL WEAR AND TEAR, OR EXTERNAL CAUSES SUCH AS ACCIDENTS, ABUSE, OR OTHER ACTIONS OR EVENTS BEYOND OUR REASONABLE CONTROL.

This Limited Warranty is issued to the Customer who buys a new SOUNDBOKS product directly from SOUNDBOKS. This Limited Warranty cannot be assigned or transferred to any subsequent purchaser or user. Any SOUNDBOKS product purchased from an authorized retailer is covered by the warranty terms provided by such authorized retailer. The Limited Warranty is limited to the repair or replacement of the SOUNDBOKS product at SOUNDBOKS’ discretion, and neither costs for transportation, removal, nor installation of a SOUNDBOKS product is covered by this Limited Warranty. This Limited Warranty extends to TWO (2) YEARS from the Customer’s original purchase of the



SOUNDBOKS product. If SOUNDBOKS receives, during the applicable warranty period, a valid notice of a defect of any SOUNDBOKS product covered by SOUNDBOKS' warranty, for a list of covered products go to [SOUNDBOKS.com/help](https://www.soundboks.com/help). SOUNDBOKS will, at SOUNDBOKS' option,

- a) within reasonable time after being notified of the defect:
- b) repair the defect at no charge, using new or refurbished replacement parts, or
- c) replace the product.

Response time may vary from country to country and is, among other things, subject to availability of parts, labor and transport.

### **TO OBTAIN SERVICE: VISIT SOUNDBOKS.COM/HELP**

THIS LIMITED WARRANTY GIVES YOU SPECIFIC LEGAL RIGHTS AND YOU MAY ALSO HAVE OTHER LEGAL RIGHTS, WHICH VARY FROM STATE TO STATE. WE LIMIT THE DURATION AND REMEDIES OF ALL IMPLIED WARRANTIES, INCLUDING WITHOUT LIMITATION THE WARRANTIES OF MERCHANTABILITY AND FITNESS FOR A PARTICULAR PURPOSE TO THE DURATION OF THIS EXPRESS LIMITED WARRANTY. SOME U.S. STATES DO NOT ALLOW LIMITATIONS ON HOW LONG AN IMPLIED WARRANTY LASTS, SO THE ABOVE LIMITATION MAY NOT APPLY TO YOU.

THE TERMS AND CONDITIONS FOR THE PURCHASE OF THE SOUNDBOKS PRODUCTS SPECIFY THE WARRANTY FOR DEFECTS AND CONFORMITY, AND A POSSIBLE ADDITIONAL COMMERCIAL WARRANTY, THAT IS GRANTED BY SOUNDBOKS. THE TERMS AND CONDITIONS FOR CONSUMERS (B2C) AND FOR BUSINESS PURCHASERS (B2B) CAN BE FOUND AT ([www.SOUNDBOKS.com/terms](https://www.soundboks.com/terms)). SPECIFIC TERMS AND CONDITIONS APPLY IN CASE THE PRODUCT

IS USED FOR RENTAL ACTIVITY. THE RIGHTS UNDER THE RESPECTIVE WARRANTIES, THEIR CONDITIONS, LIMITATIONS AND REMEDIES ARE SPECIFIED IN THESE TERMS AND CONDITIONS. WE ADVISE YOU TO READ OUR TERMS AND CONDITIONS. CONSUMERS WITH RESIDENCE IN THE EU ARE REMINDED THAT THEY ARE ENTITLED TO A LEGAL GUARANTEE.

### **How to obtain warranty service or make a warranty claim:**

In Europe:

SOUNDBOKS ApS, Esromgade 15, 2200 Copenhagen N, Denmark; CVR nr. 36457597, E-Mail: [info@SOUNDBOKS.com](mailto:info@SOUNDBOKS.com).

Contact the service provider and follow the procedures specified by the service provider. In the US and Canada: Contact SOUNDBOKS Inc., 1968 S. Coast Hwy #2510 Laguna Beach CA 92651 USA, E-Mail: [info@SOUNDBOKS.com](mailto:info@SOUNDBOKS.com).

The serial number of your SOUNDBOKS (Gen. 4) can be found on the inside of the battery compartment.

## 4. LIMITATION OF LIABILITY

THE REMEDIES DESCRIBED ABOVE ARE YOUR SOLE AND EXCLUSIVE REMEDIES AND OUR ENTIRE LIABILITY FOR ANY BREACH OF THIS LIMITED WARRANTY. OUR LIABILITY SHALL UNDER NO CIRCUMSTANCES EXCEED THE ACTUAL AMOUNT PAID BY YOU FOR THE DEFECTIVE PRODUCT, NOR SHALL WE UNDER ANY CIRCUMSTANCES BE LIABLE FOR ANY CONSEQUENTIAL, INCIDENTAL, SPECIAL OR PUNITIVE DAMAGES OR LOSSES, WHETHER DIRECT OR INDIRECT. SOME U.S. STATES DO NOT ALLOW THE EXCLUSION OR LIMITATION OF INCIDENTAL OR CONSEQUENTIAL DAMAGES, SO THE ABOVE LIMITATION OR EXCLUSION MAY NOT APPLY TO YOU.

## 5. DISCLAIMER

Except as provided by the Limited Warranty and to the extent permitted by law, in no event and under no circumstances can SOUNDBOKS, its employees, affiliates, its board of directors, any of and/or the company owners, or its third party suppliers be held accountable for direct, indirect, special, random, or consequential damages (including but not limited to financial loss, personal damages, and loss of assets and property) whether based on contract, tort or any other legal theory, hereunder but not limited to direct, indirect, special, random, or consequential damages caused by careless, wrong and inexpedient usage of the product. SOUNDBOKS needs to, in connection with the aforementioned, draw special attention to the fact that the following actions will exempt SOUNDBOKS from any responsibility:

- Wrongly plugging in the batteries and the speaker
- Prolonged exposure of the SOUNDBOKS product to any form of precipitation
- Submerging any part of the SOUNDBOKS product in any form of liquid
- Using SOUNDBOKS products for other purposes than what they are regularly used for
- Using other chargers than the one produced and delivered by SOUNDBOKS
- Using other batteries than the ones produced and delivered by SOUNDBOKS
- Unsanctioned modification, rebuilding or repurposing of any parts of any SOUNDBOKS product, with the exception of the removal and customization of the SOUNDBOKS grill, using the provided tool

## 6. COMPLIANCE

### EU



Hereby, SOUNDBOKS ApS, the manufacturer of the SOUNDBOKS (Gen. 4), declares that this SOUNDBOKS (Gen. 4) is in compliance with the essential requirements and other relevant provisions of the following EU Directives:

Radio Equipment Directive 2014/53/EU

Electromagnetic Compatibility 2014/30/EU

Low-voltage Directive 2014/35/EU

EcoDesign Directive 2009/125/EC and Regulation (EU) 2017/1369

RoHS Directive 2011/65/EU with Directive 2015/863/EU

REACH SVHC Regulation (EC) No 1907/2006

WEEE Directive 2012/19/EU

This product contains batteries that are covered under the 2006/66/EC European Battery Directive, amended by Directive 2013/56, which cannot be disposed of with normal household waste. Please follow local regulations.

You may obtain a free copy of the Declaration of Conformity by contacting SOUNDBOKS ApS.

### UNITED STATES

#### Importer:

SOUNDBOKS INC  
1968 S. Coast Hwy #2510  
Laguna Beach CA 92651 USA

This device complies with Part 15 of the FCC Rules. Operation is subject to the following two conditions:

- This device may not cause harmful interference, and
- This device must accept any interference received, including interference that may cause undesired operation.

This equipment has been tested and found to comply with the limits for a Class B digital device, pursuant to part 15 of the FCC Rules. These limits are designed to provide reasonable protection against harmful interference in a residential installation.

This equipment generates, uses and can radiate radio frequency energy and, if not installed and used in accordance with the instructions, may cause harmful interference to radio communications. However, there is no guarantee that interference will not occur in a particular installation.

If this equipment does cause harmful interference to radio or television reception, which can be determined by turning the equipment off and on, the user is encouraged to try to correct the interference by one or more of the following measures:

- Reorient or relocate the receiving antenna.
- Increase the separation between the equipment and receiver.
- Connect the equipment into an outlet on a circuit different from that to which the receiver is connected.
- Consult the dealer or an experienced radio/TV technician for help.

#### **CAUTION:**

Any changes or modifications not expressly approved by the grantee of this device could void the user's authority to operate the equipment.

#### **RF exposure warning**

This equipment must be installed and operated in accordance with provided instructions, and the antenna(s) used for this

transmitter must be installed to provide a separation distance of at least 20 cm from all persons and must not be co-located or operating in conjunction with any other antenna or transmitter.

End-users and installers must provide antenna installation instructions and transmitter operating conditions for satisfying RF exposure compliance.

## **CANADA**

### **Industry Canada statement**

This device contains license-exempt transmitter(s)/ receiver(s) that comply with Innovation, Science and Economic Development Canada's license-exempt RSS(s). Operation is subject to the following two conditions:

1. This device may not cause interference,
2. This device must accept any interference, including interference that may cause undesired operation of the device.

### **Radio Frequency (RF) Exposure Information**

The radiated output power of the Wireless Device is below the Innovation, Science and Economic Development Canada (ISED) radio frequency exposure limits. The Wireless Device should be used in such a manner such that the potential for human contact during normal operation is minimized. This device has also been evaluated and shown compliant with the ISED RF Exposure limits under mobile exposure conditions (antennas are greater than 20 cm from a person's body).

## 7. WARNING, CAUTION & NOTICE

### WARNING

WARNING indicates a hazardous situation which, if not avoided, could result in death or serious injury.

### CAUTION

CAUTION indicates a hazardous situation which, if not avoided, could result in minor or moderate injury.

### NOTICE

NOTICE is used to injury address practices not related to physical.

### WARNING

#### SPEAKER

- This speaker is extremely loud. Be cautious when standing in front of or near the speaker as it can result in hearing damage.
- If you notice any signs of possible damage, such as melted plastic, abnormally high temperatures, or odors coming from your speaker, turn off your product. Contact SOUNDBOKS via [info@SOUNDBOKS.com](mailto:info@SOUNDBOKS.com).
- If the device emits smoke, smells burnt, or produces unusual sounds, immediately disconnect it from the mains or the battery and do not operate it further. Contact SOUNDBOKS via [info@SOUNDBOKS.com](mailto:info@SOUNDBOKS.com).
- An unstable base may cause the unit to tip and injure or even kill a person; children are particularly at risk. You can prevent a large number of accidents by taking the following precautions:
  - Always use on a stable surface. Do not place the SOUNDBOKS speaker where it might fall and injure

someone.

- If the SOUNDBOKS speaker is not securely mounted, do not use it in vehicles, in unstable locations, on wobbly tripods or furniture, with insufficient brackets, etc.
- Place the SOUNDBOKS speaker in such a way that it cannot be knocked over inadvertently and make sure that the cables do not pose a trip hazard.
- When storing the SOUNDBOKS speaker, also ensure that it stands safely and that it cannot be knocked down or over.

## CHARGER

- Be sure to read the instructions chapter for the charger and AC cable before use.
- To avoid the risk of shock or product damage, always use the SOUNDBOKS speaker with the approved charger, such as the one provided with the unit.
- Never carry the charger by the cable..
- The power cord and charger are for indoor use only.
- Only use an official SOUNDBOKS charger.
- Never connect the charger directly to the speaker without the battery connected.

## BATTERY

- Be sure to read the instructions chapter for the battery before use.
- Handling rechargeable batteries improperly may lead to fire or explosion.
- Keep the rechargeable battery away from paper clips, coins, keys, screws, or other metallic objects that could bridge the contacts. Short-circuiting caused by bridged rechargeable battery contacts may result in burns or fire.
- Only use official SOUNDBOKS batteries.

- Use of car batteries or unofficial batteries may lead to dangerous situations, including risks of fire or explosion.
- If used incorrectly, corrosive battery acid may leak out of the rechargeable battery, avoid any contact with it. In the event of accidental contact, immediately rinse with plenty of water and seek medical attention.
- Never carry the rechargeable battery by the cable.
- Avoid bumps and abrupt stresses.
- Risk of fire or explosion if the battery is replaced by an incorrect type.
- Disposal of a battery into fire or hot oven, or mechanically crushing or cutting of a battery can result in an explosion
- Leaving a battery in an extremely high temperature surrounding environment that can result in an explosion or the leakage of flammable liquid or gas.
- A battery subjected to extremely low air pressure that may result in an explosion or the leakage of flammable liquid or gas.

## GENERAL

- Never allow children to operate electrical devices unsupervised.
- Never open the device housing. Repairs may only be carried out by an authorized specialist workshop. In the process, only parts that correspond to the original device data may be used.
- Only use the accessory products specified by the manufacturer.
- If water or other debris ends up penetrating the housing, immediately pull the main plug and remove the rechargeable battery. Then contact SOUNDBOKS via [info@SOUNDBOKS.com](mailto:info@SOUNDBOKS.com).

- Never modify any part of the device. Unauthorized interventions may affect safety, functionality and warranty. The only part allowed modification is the front grill.
- This device and its accessories can expose you to chemicals including lead, which is known to the State of California to cause cancer and birth defects or other reproductive harm.
- If the SOUNDBOKS is subjected to warm temperatures after being cold (e.g. after transport), condensation may occur inside of it. In this case, wait at least 2 hours before you connect and activate the SOUNDBOKS.
- Do not place open fire sources such as burning candles or similar on the SOUNDBOKS.
- Do not place the SOUNDBOKS near heat sources (e.g. heaters, ovens).
- Ensure sufficient ventilation.
- Do not cover with curtains, blankets, posters or similar. The buildup of heat inside any SOUNDBOKS product can shorten its lifetime.
- If the SOUNDBOKS is to be unattended for a prolonged period (e.g. when on vacation), power down and disconnect the unit. Be sure to secure your SOUNDBOKS in a clean, dry, and sheltered location.
- Avoid electrostatic charge or discharge. Never use synthetic cloths or sponges to clean any part of the device; instead only use cloths moistened with water without any additives.

### CAUTION

Extended listening at high volumes may lead to hearing loss. To avoid damage to health, avoid extended listening at high volumes.

### NOTICE

- This device operates in the following frequency Bands (for BT, BLE & 2.4G); 2402~2480MHz. The maximum radio-frequency power transmitted is 8.4dBm
- Gross misuse and incorrect care are the main reasons for damage to high-performance rechargeable batteries.
- Avoid deep discharge of under 20% for optimal rechargeable battery power.
- Recharge your rechargeable battery frequently.
- Store your rechargeable battery in a cool, but frost-free area, ideally at 15° C/59° F. Higher temperatures result in a higher rate of self-discharge and shorten the intervals between charges.
- Do not expose the rechargeable battery to direct sunlight or other sources of heat.
- A deep discharge damages the rechargeable battery cells. The most frequent cause of deep discharge is prolonged storage or failure to use a partially discharged rechargeable battery. Only store the rechargeable battery once it is fully charged.



## 8. INTENDED USE

This product is a loudspeaker intended for playing music and sound in connection with a music device such as a smartphone, tablet, or other compatible devices. This product must not be used for any other purposes. Any other use or use under other operation conditions is considered to be improper and may result in personal injury or property damage. No liability will be assumed for damages resulting from improper use.

## 9. DISPOSAL INFORMATION



This product contains batteries and recyclable electronics. To protect the environment, do not dispose with general household waste, but bring to appropriate local collection points.

SOUNDBOKS packaging material can be recycled, we recommend to sort parts marked with recycle symbols separately during disposal.

## 10. MARKINGS



The Bluetooth® trademark and logos are registered trademarks owned by Bluetooth SIG, Inc. and the use thereof is under license.

iPhone® is a registered trademark of Apple, Inc.

Android™ is a trademark of Google, Inc.



The SKAA Compatible Badge found on the Product certifies that this Product has been tested and is fully compliant with all of the requirements of the SKAA Standard and has been granted SKAA Certification. This Product will work seamlessly with other products in the SKAA ecosystem of audio transmitting and receiving devices. For more information on the SKAA Standard, please visit [www.SKAA.com](http://www.SKAA.com). The SKAA® name as well as its associated marks, logos and icons are trademarks or registered trademarks of Eleven Engineering Incorporated.

# 11. FINAL REMARKS

We hope that you'll have an awesome time with your SOUNDBOKS product, and please feel free to reach out to us with questions, ideas, or anything else. We'd love to talk to you!

Please feel free to write us on [info@SOUNDBOKS.com](mailto:info@SOUNDBOKS.com)

## **U.S. Business Address:**

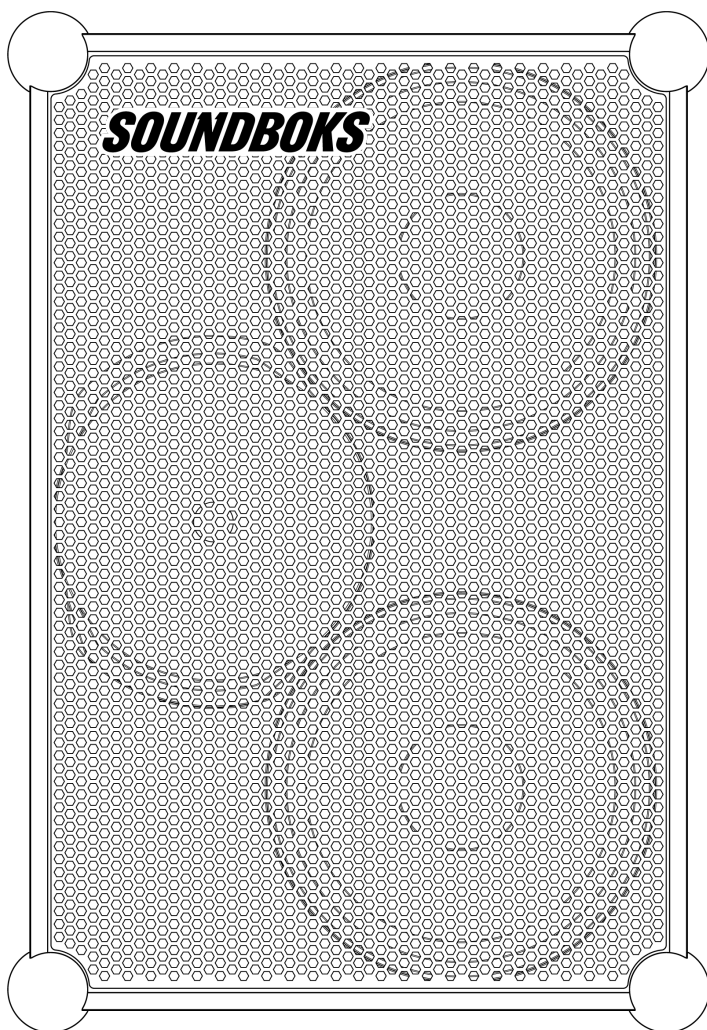
SOUNDBOKS Inc.  
1968 S. Coast Hwy #2510  
Laguna Beach CA 92651

## **For rest of the World:**

SOUNDBOKS ApS  
CVR: 36457597  
Esromgade 15, 1107  
2200 Copenhagen N  
Denmark

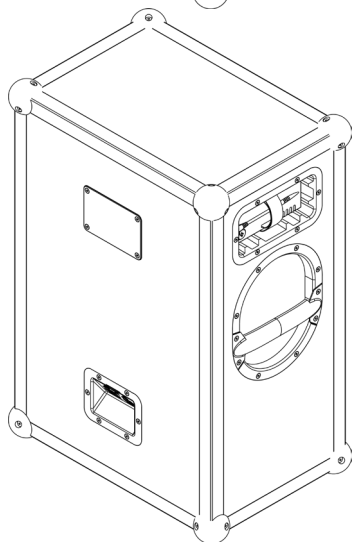
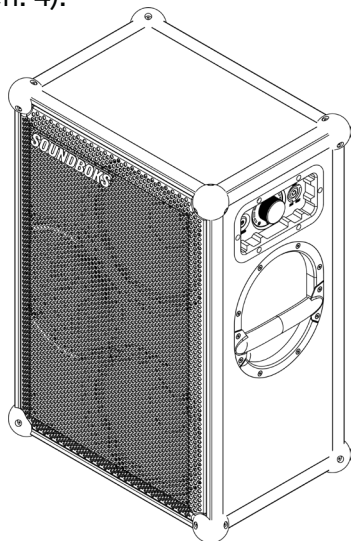
***SOUNDBOKS***

# **SOUNDBOKS (GEN. 4) MANUEL D'UTILISATION**



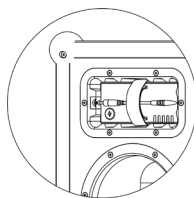
# LA NOUVELLE GÉNÉRATION DE SOUNDBOKS

Maîtrisez la pleine puissance d'une qualité sonore inédite, d'un design et d'une Performance Bluetooth. Voici la SOUNDBOKS (Gen. 4).

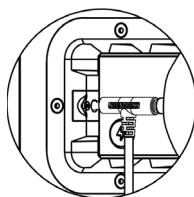


**Des questions?**

**Obtenez des réponses rapides ici.**

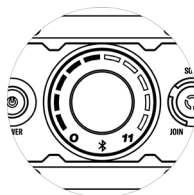


- 01** Chargez complètement votre BATTERYBOKS pendant environ 3 heures et demie pour obtenir des performances optimales.
- 02** Une fois chargée, glissez (sans forcer) votre BATTERYBOKS dans le support pour batterie. Branchez ensuite la fiche DC, until it fits snugly. Then plug in the DC connector.



**!** Ne branchez jamais le chargeur directement sur votre haut-parleur sans la batterie. Votre chargeur n'est pas une source d'alimentation électrique.

- 03** Le chargeur n'est pas une source d'alimentation électrique. SOUNDBOKS est conçu pour fonctionner uniquement sur batterie. La prise spéciale du chargeur a été conçue pour être utilisée avec votre batterie uniquement lors de la diffusion sonore à des volumes modérés. Gardez votre SOUNDBOKS sous la barre HALF VOLUME (soit à 12 heures sur le cadran avec les 5 lumières allumées) — lorsque vous diffusez du son et chargez simultanément.



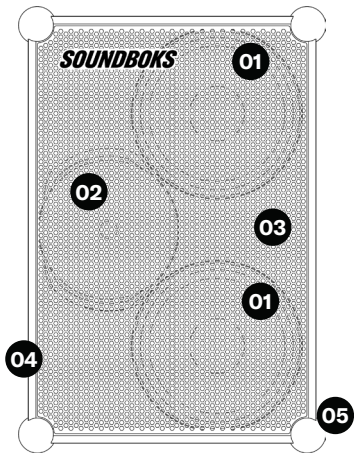
- 04** Allumez votre haut-parleur en appuyant sur le bouton de mise en marche. Lorsque les LED entourant le bouton du volume s'allument, vous êtes prêt à vous connecter.
- 05** Pour vous connecter, allez dans les paramètres Bluetooth de votre appareil, recherchez et sélectionnez SOUNDBOKS #YourTeamID. Votre Team ID unique se trouve à l'arrière de votre haut-parleur.
- 06** Choisissez votre chanson préférée, montez le son, sortez et Break Through the Noise.

<b>1. SOUNDBOKS (GEN. 4)</b>	<b>32</b>
1.1 Aperçu	
1.2 Spécifications	
1.3 Comportement des LED	
1.4 Personnalisation	
1.5 SKAA & Bouton Bond	
<b>2. BATTERYBOKS ET CHARGEUR</b>	<b>42</b>
2.1 Aperçu	
2.2 Chargement de BATTERYBOKS	
<b>3. GARANTIE ET SERVICE</b>	<b>44</b>
<b>4. LIMITATION DE RESPONSABILITÉ</b>	<b>46</b>
<b>5. CLAUSE DE NON-RESPONSABILITÉ</b>	<b>47</b>
<b>6. CONFORMITÉ</b>	<b>48</b>
<b>7. AVERTISSEMENT, MISE EN GARDE ET AVIS</b>	<b>51</b>
<b>8. UTILISATION VISÉE</b>	<b>55</b>
<b>9. INFORMATIONS CONCERNANT LA MISE AU REBUT</b>	<b>56</b>
<b>10. MARQUAGES</b>	<b>57</b>
<b>11. DERNIÈRES OBSERVATIONS</b>	<b>58</b>

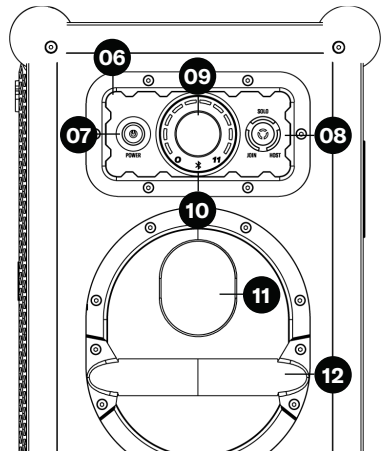
# 1. SOUNDBOKS (GEN. 4)

## 1.1 Aperçu

- 1.2 Specifications
- 1.3 LED behavior
- 1.4 Customization
- 1.5 SKAA & Bond Button

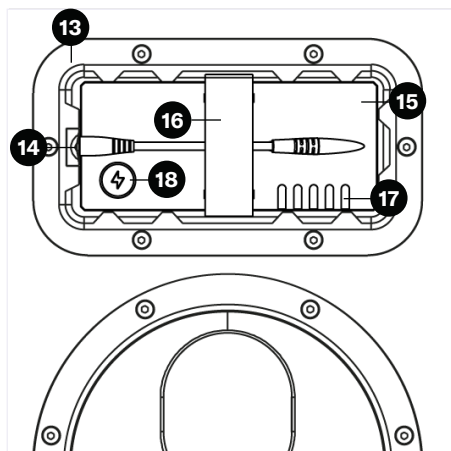


- 01** Boomer
- 02** Haut parleur d'aigus
- 03** Grille verrouillable
- 04** Angles en aluminium avec enduit poudre
- 05** Coins sphériques en caoutchouc de silicone

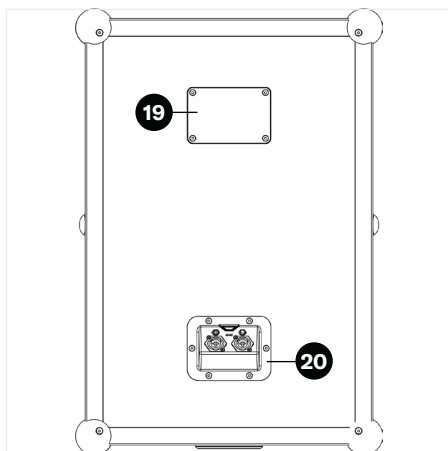


- 06** UI Panel
- 07** Bouton MISE EN MARCHÉ
- 08** Bouton TeamUP (SOLO/HOST/JOIN)
- 09** Bouton VOLUME
- 10** Indicateur LED de Bluetooth
- 11** Port réflexe à impulsion
- 12** Poignée en acier avec enduit poudre

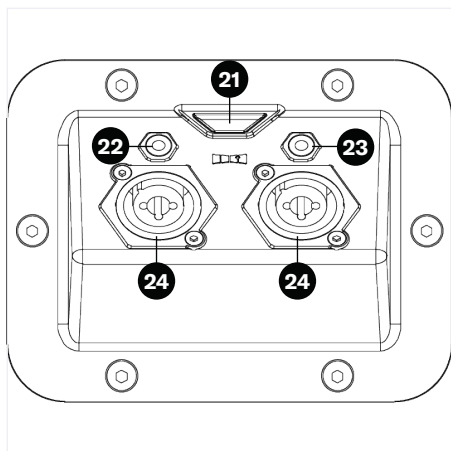




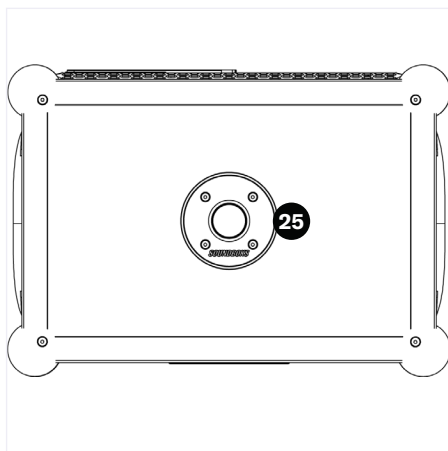
- 13** Port de batterie
- 14** Entrée DC
- 15** BATTERYBOKS
- 16** Sangle
- 17** Indicateur LED d'autonomie de la batterie
- 18** Bouton de contrôle du niveau de la batterie



- 19** Identifiant Team unique SOUNDBOKS (Gen. 4)
- 20** Pro-Panel



- 21** SKAA Bouton Bond et indicateur LED
- 22** 3.5mm (1/8") Stereo Input
- 23** 3.5mm (1/8") Stereo Output
- 24** Combo Microphone/Instrument (XLR, 1/4") Inputs



- 25** Support pour pied

# 1. SOUNDBOKS (GEN. 4)

1.1 Aperçu

## 1.2 Spécifications

1.3 Comportement des LED

1.4 Personnalisation

1.5 SKAA & Bouton Bond

## SON

### Amplificateur

Commutation ampli Merus Audio eximo®  
3 × amplificateurs RMS classe D 72 W  
Basse avancée DSP

### Unités haut-parleurs

2 haut-parleurs de grave 10"  
1 haut-parleur d'aigus 1" compression 104 dB

### Acoustique

Gamme de fréquences effective : 40 Hz - 20 kHz  
Profil sonore personnalisé avec amplificateur de basses  
Port réflexe à impulsion personnalisé

### Connectivité

Bluetooth 5.0  
Connexion sans fil TeamUp pour 5 produits SOUNDBOKS compatibles SKAA au maximum

### Compatibilité

Compatible avec iPhone® et Android™

### Pro Panel

2 × Combo Microphone/Instrument (XLR, 1/4")  
Inputs  
1 × 3.5mm (1/8") Stereo Input  
1 × 3.5mm (1/8") Stereo Output  
SKAA Bouton Bond

## CONSTRUCTION

### Dimensions

66 × 43 × 32 cm ( 25,6 × 17 × 13 pouces (H × L × P))

## Poids

16,1 kg / 35,5 livres

## Matériaux

Boîtier en bois de peuplier  
Châssis en aluminium avec enduit poudre  
Poignées en acier enduit poudre  
Grille en acier enduit poudre avec revêtement poudre ou liquide (selon la couleur)  
Coins sphériques en silicone

## Caractéristiques

Grille et batteries interchangeables  
Port réflexe à impulsion  
1 support pour pied Ø 35 mm  
UI Panel :  
    Volume control  
    Mode Host/Join pour TeamUP sans fil

## Température

Usage général : - 20 °C à 55 °C  
Stockage recommandé : 5 °C à 20 °C pour une durée de vie optimale du produit

## BATTERIE

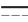
### Design

Indicateur d'autonomie de batterie LED à 5 étapes  
Connecteur DC robuste

### Type de cellule

Batterie Li-ion rechargeable  
Lithium-fer-phosphate (LiFePO4)

## Performances de la batterie


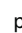
Output: 12.8V   
Température de décharge : - 20 °C à 55 °C (-4 °F à 131 °F)  
Température de charge : 0 °C à 40 °C (32 °F à 104 °F)  
Capacité : 99,84 Wh ou 7,8 Ah



## Autonomie de la batterie

40 heures à mi-volume  
5 heures à plein volume  
3,5 heures de recharge

## Système de gestion de la batterie (BMS)

Protection contre les décharges excessives et insuffisantes  
Protection contre les courts-circuits  
Protection contre la surchauffe   
Gestion de la tension des cellules  
Le mode veille s'enclenche après 14 jours d'inactivité. Appuyez sur le bouton  pour en sortir

## Transport

La batterie est certifiée pour le transport en toute sécurité conformément à la norme UN38.3

## CHARGEUR

### Performances du chargeur

Input: 100-240V ~ 50-60Hz, 1.2A MAX  
Output: 14.0V 3.3A

# 1. SOUNDBOKS (GEN. 4)

1.1 Aperçu

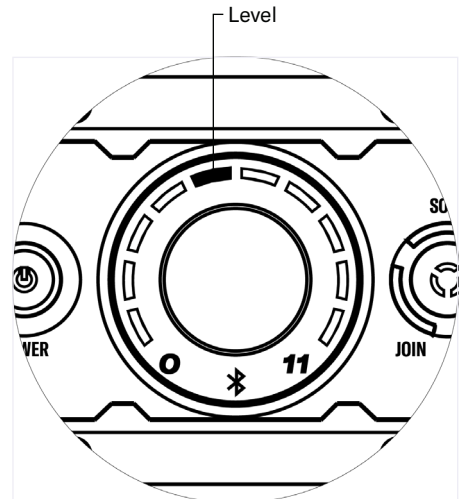
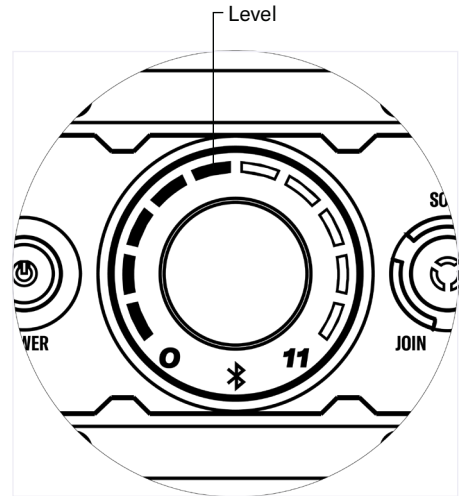
1.2 Spécifications

## 1.3 Comportement des LED

1.4 Personnalisation

1.5 SKAA & Bouton Bond

Votre SOUNDBOKS (Gen. 4) préservera l'énergie en désactivant les LED trainantes après 10 secondes de niveau de volume constant.



# 1. SOUNDBOKS (GEN. 4)

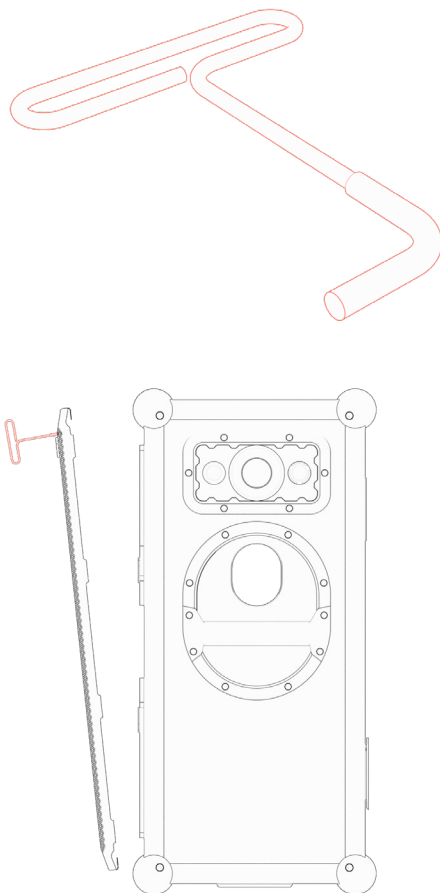
- 1.1 Aperçu
- 1.2 Spécifications
- 1.3 Comportement des LED

## 1.4 Personnalisation

- 1.5 SKAA & Bouton Bond

La dernière grille SOUNDBOKS est conçue pour être facilement personnalisable : il suffit de la retirer, d'enlever le logo, de faire confiance à votre créativité et vous pourrez transformer votre nouvelle SOUNDBOKS en une œuvre d'art.

Voici un guide étape par étape pour commencer la personnalisation.



### Retirez la grille

La grille de SOUNDBOKS (Gen. 4) est rattachée au haut-parleur à l'aide d'une fixation et peut être retirée avec l'outil fourni à cet effet. Cet outil se compose d'un manche et d'un embout caoutchouté.

Pour retirer la grille, utilisez l'embout caoutchouté pour l'accrocher dans les trous de la grille. Le plus facile est de tirer la grille par ses coins. Commencez par retirer la grille du haut-parleur avec précaution. Dégagez-la uniformément en plusieurs points le long des bords jusqu'à ce qu'elle se détache et puisse être retirée à la main.

### **Retirez le logo SOUNDBOKS**

Gardez ce logo propre. Dévissez-le et mettez-le dans un endroit sûr.

### **Exprimez-vous**

Personnalisez votre SOUNDBOKS. La grille peut supporter la plupart des types de peinture. Veillez simplement à appliquer une couche d'apprêt avant et un enduit après pour que la peinture dure.

### **Party On**

Remplacez le logo et remettez la grille en place. Connectez votre musique, montez le son et emmenez votre SOUNDBOKS personnalisée partout dans le monde.

# 1. SOUNDBOKS (GEN. 4)

- 1.1 Aperçu
- 1.2 Spécifications
- 1.3 Comportement des LED
- 1.4 Personnalisation
- 1.5 SKAA & Bouton Bond**

Voici le guide officiel de l'utilisateur SKAA. Il décrit en détail l'utilisation et le dépannage du Bouton Bond, situé à l'arrière de votre SOUNDBOKS (Gen. 4) sur le Pro Panel. Le Bouton Bond est le bouton de contrôle du mode JOIN par

le biais de la fonction TeamUP, une connexion en chaîne sans fil. Chaque récepteur SKAA® possède une Liste Verte qui garde en mémoire vos émetteurs favoris. Un voyant vert sur votre récepteur signifie que vous êtes connecté à un favori, ou que vous en recherchez un. Votre récepteur peut également rechercher de nouveaux émetteurs – un voyant ambre signifie que vous recherchez un émetteur qui ne figure pas dans votre Liste Verte. Un Cluster est une entité composée de deux appareils ou plus, se comportant comme un seul. Le Bouton Bond vous permet de choisir quel émetteur vous souhaitez écouter. Il possède un logo composé de deux flèches.



Le Badge Compatible SKAA de votre appareil signifie que ce dernier a été testé, qu'il est entièrement compatible avec toutes les exigences du standard SKAA, et qu'il a obtenu la certification SKAA. Ce produit fonctionnera en symbiose avec les autres dispositifs d'émission et de réception audio de l'écosystème SKAA. Pour plus d'informations sur le standard SKAA, veuillez consulter le site [www.SKAA.com](http://www.SKAA.com). Le nom SKAA®, ainsi que ses marques, logos et icônes, sont les marques déposées de Eleven Engineering Incorporated.

Bouton Bond	Commande	Voyant	Indication
Maintenez appuyé quelques seconde	<b>Ajouter/Supprimer</b> Pour ajouter ou supprimer manuellement l'émetteur actuel à/de Liste Verte.	● à ● ● clignotant	Ajouté Supprimé
Maintenez appuyé quelques seconde	<b>Ajout automatique</b> SKAA ajoutera automatiquement l'émetteur ambre que vous écoutez à votre Liste Verte au bout de 30 minutes	● à ●	Ajouté
1 clic	<b>Mode vert</b> Parcourez votre liste d'émetteurs favoris (Liste Verte)— lorsque vous en trouvez un, la recherche s'arrête et le son de cet émetteur est diffusé.	● sombre ● clignotant ● lumineux	Recherche Suivant Connecté
2 clics	<b>Mode ambre</b> Explorez de nouveaux émetteurs inconnus (qui ne figurent pas sur votre Liste Verte).	● sombre ● lumineux	Recherche Connecté
3 clics	<b>Sourdine</b> Recommencez pour rétablir le son ; les clics permettent d'activer d'abord le son, puis d'exécuter une fonction	● , ● ou ● clignotement lent	En sourdine
4 clics	<b>Mode rouge</b> Si au moins 2 émetteurs figurent sur votre Liste Verte, allumez celui que vous voulez écouter et il sera automatiquement lu	● sombre ● lumineux	Recherche Connecté
6 clics	<b>Remise à zéro</b> Cette fonction efface votre Liste Verte. Vous pouvez tout recommencer !	● clignotant	Réinitialisation effectuée
Maintenez pendant la mise sous tension	<ol style="list-style-type: none"> <li>Placez les haut-parleurs JOIN à ajouter au cluster à moins de 3 mètres du haut-parleur Master JOIN.</li> <li>Mettez le haut-parleur HOST hors tension.</li> <li>Mettez en marche tous les haut-parleurs JOIN à ajouter au cluster, mais gardez le haut-parleur Master JOIN éteint.</li> <li>Sur le haut-parleur Master JOIN, maintenez le Bouton bond enfoncé avant d'appuyer sur le bouton de mise en marche. Maintenez les deux boutons enfoncés et attendez que le clignotement rouge commence : relâchez d'abord le bouton de mise en marche, puis le Bouton Bond. Le haut-parleur Master JOIN clignote désormais en rouge. Toutes les autres LED du haut-parleur Master JOIN s'éteignent.</li> </ol>	● clignotant  ● lumineux	Le récepteur est entré en mode Cluster Up.  Le cluster a été réalisé avec succès



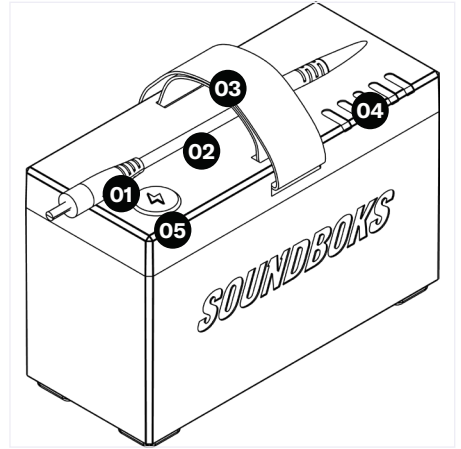
5. Pendant que la LED Master JOIN clignote en rouge, appuyez sur le bouton Connect jusqu'à ce que JOIN soit sélectionné sur tous les haut-parleurs JOIN que vous souhaitez ajouter au cluster. Vous n'aurez que 10 secondes pour cette étape.
6. Lorsque tous les haut-parleurs JOIN sont acceptés dans le cluster, leur LED passe au ROUGE fixe.
7. Une fois que toutes les LED JOIN du cluster sont en rouge fixe, éteignez tous les haut-parleurs JOIN.
8. Allumez le haut-parleur HOST et mettez-le en mode HOST en cliquant sur le bouton Connect. Connectez l'audio BT ou AUX pour repasser de la musique sur le haut-parleur HOST.
9. Allumez les haut-parleurs JOIN du cluster et mettez-les en mode JOIN. Tous les haut-parleurs diffusent maintenant de la musique à partir de HOST. Le volume sur tous les haut-parleurs JOIN peut être contrôlé à partir de n'importe quel haut-parleur JOIN du cluster. La fonction 3 clics du Bouton Bond est également partagée dans le cluster pour désactiver le son de tous les haut-parleurs JOIN.

Le Bouton bond sur le haut-parleur Master JOIN a la même fonction de clic que celle décrite ci-dessus. Le volume du haut-parleur HOST est contrôlé par lui-même et est isolé du cluster. Pour annuler le mode cluster sur une unité, répétez l'étape 4. Attendez le rouge fixe, puis cliquez 6 fois sur le Bouton bond

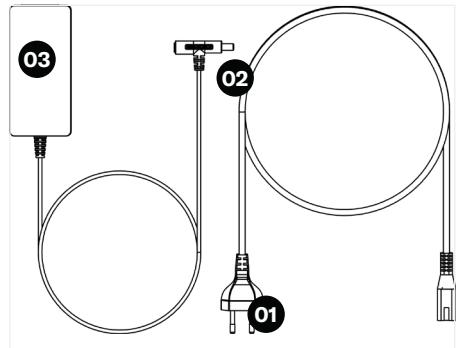
## 2. BATTERYBOKS ET CHARGEUR

### 2.1 Aperçu

### 2.2 Chargement de la BATTERYBOKS



- 01** Prise DC de la batterie
- 02** Câble DC
- 03** Sangle de transport
- 04** Indicateur d'autonomie de la batterie LED
- 05** Bouton de contrôle du niveau de la batterie



Prise régionale à titre indicatif

- 01** Câble d'alimentation
- 02** Entrée DC de la batterie
- 03** Prise DC du chargeur

## 2. BATTERYBOKS ET CHARGEUR

### 2.1 Aperçu

### 2.2 Chargement de la BATTERYBOKS

Pensez à débrancher votre batterie une fois celle-ci pleinement chargée, et ne la laissez jamais charger plus de 6 heures d'affilée, car cela pourrait l'endommager. Voici deux manières de charger votre BATTERYBOKS:

#### **Charger la batterie en dehors de la SOUNDBOKS (Gen. 4)**

Insérez la fiche DC BATTERYBOKS dans l'entrée DC batterie de votre chargeur et branchez le câble d'alimentation de votre chargeur à la prise secteur la plus proche.

#### **Charger la batterie dans la SOUNDBOKS (Gen. 4)**

Le chargeur n'est pas une source d'alimentation électrique. SOUNDBOKS est conçu pour fonctionner uniquement sur batterie. La prise spéciale du chargeur a été conçue pour être utilisée avec votre batterie uniquement lors de la diffusion sonore à des volumes modérés. Gardez votre SOUNDBOKS sous la barre HALF VOLUME (soit à 12 heures sur le cadran avec les 5 lumières allumées) – lorsque vous diffusez du son et chargez simultanément.

#### **IMPORTANT**

N'utilisez jamais la SOUNDBOKS (Gen.4) sans BATTERYBOKS, par exemple en connectant le chargeur directement à la SOUNDBOKS (Gen.4).

Utilisez uniquement un chargeur et une batterie officiels vendus par SOUNDBOKS ou un autre distributeur agréé. Tous les chargeurs et batteries officiels SOUNDBOKS portent le logo SOUNDBOKS imprimé à l'arrière

### 3. GARANTIE ET SERVICE

SOUNDBOKS GARANTIT (« GARANTIE LIMITÉE ») QUE LE PRODUIT SOUNDBOKS EST EXEMPT DE DÉFAUTS DE MATÉRIAUX ET DE FABRICATION AU MOMENT DE L'ACHAT INITIAL PAR L'UTILISATEUR FINAL (LE « CLIENT » OU « VOUS »). LA PRÉSENTE GARANTIE LIMITÉE COUVRE LA FONCTIONNALITÉ DU PRODUIT SOUNDBOKS POUR SON UTILISATION NORMALE ET PRÉVUE DANS UN ENVIRONNEMENT TEL QUE SPÉCIFIÉ CI-DESSOUS UNIQUEMENT ET NE COUVRE PAS LES DYSFONCTIONNEMENTS RÉSULTANT D'UNE UTILISATION OU D'UN ENTRETIEN INCORRECTS OU DÉRAISONNABLE TEL QUE PRÉCISÉ CI-APRÈS AU PARAGRAPHE 4, AINSI QUE TOUTE RÉPARATION NON AUTORISÉE, USURE NORMALE, OU CAUSES EXTERNES TELLES QUE DES ACCIDENTS, ABUS OU AUTRES ACTIONS OU ÉVÉNEMENTS INDÉPENDANTS DE NOTRE CONTRÔLE RAISONNABLE.

La présente garantie limitée est accordée au Client qui achète un nouveau produit SOUNDBOKS directement auprès de SOUNDBOKS. Cette Garantie limitée ne peut être cédée ni transférée à un acheteur ou utilisateur ultérieur. Tout produit SOUNDBOKS acheté chez un revendeur agréé sera couvert par les conditions de garantie fournies par celui-ci. La Garantie limitée se limite à la réparation ou au remplacement du produit SOUNDBOKS à la discrétion de SOUNDBOKS ; aucun frais de transport, de retrait ou d'installation d'un produit SOUNDBOKS n'est couvert par cette garantie limitée. La présente Garantie limitée s'étend sur DEUX (2) ANS à compter de l'achat initial du produit SOUNDBOKS par le Client. Si SOUNDBOKS reçoit, pendant la période de garantie applicable, un avis valide l'informant d'un défaut constaté sur l'un de ses produits couverts par la garantie de SOUNDBOKS, voir la liste des produits couverts sur [SOUNDBOKS.com/help](https://www.soundboks.com/help). SOUNDBOKS à sa seule discrétion,

a) dans un délai raisonnable après avoir été informée du défaut :

b) réparera le défaut sans frais, en utilisant des pièces de rechange neuves ou reconditionnées, ou

c) remplacera le produit.

Le délai de réponse peut varier d'un pays à l'autre et est, entre autres, de la disponibilité des pièces, de la main-d'œuvre et du transport.

### **POUR BÉNÉFICIER DE CE SERVICE : VOIR [SOUNDBOKS.COM/HELP](http://SOUNDBOKS.COM/HELP)**

LA PRÉSENTE GARANTIE LIMITÉE VOUS DONNE DES DROITS LÉGAUX SPÉCIFIQUES DE MÊME QUE VOUS POUVEZ ÉGALEMENT EN EXERCER D'AUTRES, LESQUELS VARIENT D'UN ÉTAT À L'AUTRE. NOUS LIMITONS LA DURÉE ET LES RECOURS DE TOUTES LES GARANTIES IMPLICITES, Y COMPRIS, MAIS SANS S'Y LIMITER, LES GARANTIES DE QUALITÉ MARCHANDE ET D'ADAPTATION À UNE FIN PARTICULIÈRE, À LA DURÉE DE LA PRÉSENTE GARANTIE LIMITÉE EXPRESSE. AUX ÉTATS-UNIS, CERTAINS ÉTATS N'AUTORISENT PAS LA LIMITATIONS DE LA DURÉE D'UNE GARANTIE IMPLICITE SI BIEN QUE LA LIMITATION CI-AVANT POURRAIT NE PAS S'APPLIQUER À VOTRE CAS.

LES CONDITIONS D'ACHAT DES PRODUITS SOUNDBOKS DÉFINISSENT LES TERMES DE LA GARANTIE POUR DÉFAUTS ET CONFORMITÉ ET UNE ÉVENTUELLE GARANTIE COMMERCIALE SUPPLÉMENTAIRE ACCORDÉE PAR SOUNDBOKS. VEUILLEZ CONSULTER LES CONDITIONS GÉNÉRALES POUR LES CONSOMMATEURS (B2C) ET POUR LES PROFESSIONNELS (B2B) À L'ADRESSE ([www.SOUNDBOKS.com/terms](http://www.SOUNDBOKS.com/terms)). DES CONDITIONS SPÉCIFIQUES S'APPLIQUENT EN CAS D'UTILISATION DU PRODUIT POUR UNE ACTIVITÉ LOCATIVE. LES DROITS DÉCRITS DANS LES GARANTIES RESPECTIVES, LEURS CONDITIONS, LIMITATIONS ET RECOURS

SONT SPÉCIFIÉS DANS LES PRÉSENTES CONDITIONS GÉNÉRALES. NOUS VOUS CONSEILLONS DE LIRE NOS TERMES ET CONDITIONS. NOUS RAPPELONS AUX CONSOMMATEURS RÉSIDANT DANS L'UE QU'ILS ONT DROIT À UNE GARANTIE LÉGALE.

### **Comment obtenir un service de garantie ou faire une demande de garantie:**

En Europe:

Contactez SOUNDBOKS ApS, Esromgade 15, 2200 Copenhagen N, Denmark; CVR n°. 36457597, e-mail: [info@SOUNDBOKS.com](mailto:info@SOUNDBOKS.com).

Contactez le prestataire de services et suivez ses procédures. Aux États-Unis et au Canada : Contactez SOUNDBOKS Inc., 1968 S. Coast Hwy #2510 Laguna Beach CA 92651 États-Unis, e-mail : [info@SOUNDBOKS.com](mailto:info@SOUNDBOKS.com).

Le numéro de série de votre SOUNDBOKS (Gen. 4) se trouve à l'intérieur du compartiment de la batterie.

## 4. LIMITATION DE RESPONSABILITÉ

LES CONDITIONS GÉNÉRALES DÉCRIVENT VOS SEULS ET UNIQUES RECOURS ET NOTRE ENTIÈRE RESPONSABILITÉ POUR TOUTE VIOLATION DE LA GARANTIE. NOTRE RESPONSABILITÉ NE POURRA EN AUCUN CAS EXCÉDER LE MONTANT RÉEL ENCOURU POUR LE PRODUIT DÉFECTUEUX, DE MÊME QUE NOUS NE POURRONS AUCUNEMENT ÊTRE TENUS RESPONSABLES DE DOMMAGES OU PERTES SECONDAIRES, FORTUITS, SPÉCIFIQUES OU PUNITIFS, QU'ILS SOIENT DIRECTS OU INDIRECTS. AUX ÉTATS-UNIS, CERTAINS ÉTATS AMÉRICAINS NE PERMETTENT PAS L'EXCLUSION OU LA LIMITATION DES DOMMAGES FORTUIS OU SECONDAIRES, DE SORTE QUE LA LIMITATION OU L'EXCLUSION SUSMENTIONNÉES POURRAIENT NE PAS ÊTRE APPLICABLES À VOTRE CAS.

## 5. CLAUSE DE NON-RESPONSABILITÉ

Sous réserve des dispositions de la Garantie limitée et dans la mesure permise par la loi, SOUNDBOKS, ses employés, ses sociétés affiliées, son conseil d'administration, les propriétaires de l'entreprise ou ses fournisseurs tiers ne peuvent en aucun cas être tenus responsables des dommages directs, indirects, spéciaux et aléatoires, ni des dommages indirects (y compris, mais sans s'y limiter, les pertes financières, les préjudices personnels et la perte de biens et de propriété), qu'ils soient fondés sur un contrat, un délit ou toute autre théorie juridique, en vertu des présentes, mais sans s'y limiter, les dommages directs, indirects, spéciaux, aléatoires ou consécutifs causés par une utilisation inadéquate, inappropriée et irréfléchie du produit. Dans ce contexte, SOUNDBOKS se doit d'attirer une attention toute particulière sur le fait que les actes suivants dégagent la société de toute responsabilité :

- Mauvais branchement des batteries et du haut-parleur
- Exposition prolongée du produit SOUNDBOKS à toute forme de précipitation
- Immersion de n'importe quelle partie du produit SOUNDBOKS dans n'importe quelle forme de liquide
- Utilisation des produits SOUNDBOKS à d'autres fins que celles pour lesquelles ils sont destinés habituellement
- Utilisation d'autres chargeurs que celui produit et livré par SOUNDBOKS
- Utilisation d'autres batteries que celles produites et livrées par SOUNDBOKS
- Modification, reconstruction ou reconditionnement non autorisés de toute partie d'un produit SOUNDBOKS, à l'exception du retrait et de la personnalisation de la grille SOUNDBOKS, avec une clé hexagonale fournie à cet effet

## 6. COMPLIANCE

### UE

#### CE

Par la présente, SOUNDBOKS ApS, le fabricant de la SOUNDBOKS (Gen. 4), déclare que le présent équipement SOUNDBOKS (Gén. 4) est conforme aux exigences fondamentales et autres dispositions pertinentes des Informations suivantes de la Directive de Conformité de l'UE :

Directive de l'Union Européenne sur les équipements hertziens 2014/53/UE

Directive CEM (en matière de compatibilité électromagnétique) de l'Union européenne 2014/30/UE

Directive Basse Tension de l'Union européenne 2014/35/UE

Directive de l'Union européenne sur l'écoconception 2009/125/CE et règlement (UE) 2017/1369

Directive relative à la limitation de l'utilisation de certaines substances dangereuses dans les équipements électriques et électroniques. RoHS 2011/65/UE avec directive 2015/863/UE

Règlement REACH SVHC (CE) n° 1907/2006

Directive DEEE 2012/19/UE

Ce produit contient des batteries visées par la directive européenne 2006/66/CE relatives aux piles et accumulateurs, modifiée par la directive 2013/56, qui ne peuvent pas être mises au rebut avec les déchets ménagers normaux. Veuillez respecter les réglementations locales.

Vous pouvez obtenir un exemplaire gratuit de la Déclaration de conformité en contactant SOUNDBOKS ApS



## ÉTATS-UNIS

### Importateur :

SOUNDBOKS INC  
1968 S. Coast Hwy #2510  
Laguna Beach CA 92651 USA

Cet appareil est conforme à la section 15 des directives de la FCC. Son utilisation est soumise aux deux conditions suivantes :

- Cet appareil ne doit pas causer d'interférences nuisibles, et
- doit accepter toute interférence reçue, y compris susceptibles d'occasionner un fonctionnement inopportun.

Cet équipement a été testé et déclaré conforme aux limites pour un appareil numérique de classe B, conformément à la section 15 des directives de la FCC. Ces limites sont conçues pour assurer une protection raisonnable contre les interférences nocives dans une installation résidentielle.

Cet équipement génère, utilise et peut émettre de l'énergie radiofréquence et, s'il n'est pas installé et utilisé conformément aux instructions, peut provoquer des interférences nuisibles avec les communications radio. Cependant, il ne peut être exclu que des interférences se produisent dans une installation donnée

Si cet équipement génère des interférences nuisant à la réception radio ou télévisuelle, ce qui peut être déterminé en éteignant puis en rallumant l'appareil, l'utilisateur est invité à corriger les interférences en appliquant une ou plusieurs des mesures suivantes :

- Réorientez ou déplacez l'antenne réceptrice.
- Éloignez l'équipement du récepteur.
- Connectez l'équipement à une sortie située sur un autre circuit que celui

auquel le récepteur est branché.

- Contactez votre revendeur ou un technicien radio/TV qualifié pour obtenir de l'aide.

### MISE EN GARDE :

Tout changement ou modification non expressément approuvé par le détenteur de cet appareil peut entraîner l'annulation du droit d'utilisation de l'appareil.

### Avertissement d'exposition aux radiofréquences (RF)

Cet équipement doit être installé et utilisé conformément aux instructions fournies, et la ou les antenne(s) utilisée(s) pour cet émetteur doivent être respecter une distance d'au moins 20 cm avec toute personne et ne doivent pas être situées à proximité ou fonctionner conjointement avec toute autre antenne ou émetteur.

Les utilisateurs finaux et les installateurs doivent fournir les instructions d'installation de l'antenne et les conditions de fonctionnement de l'émetteur pour être conformes en matière d'exposition aux RF.

## CANADA

### Déclaration d'Industrie Canada

Cet appareil contient des émetteurs/ récepteurs exempts de licence conformes au(x) norme(s) RSS d'exemption de licence RSS d'Industrie Canada. Son utilisation est soumise aux deux conditions suivantes :

1. Cet appareil ne doit pas provoquer causer d'interférences nuisibles,
2. Cet appareil doit accepter toute interférence reçue, y compris celles susceptibles d'occasionner un fonctionnement inopportun.

### Informations sur l'exposition aux

## **radiofréquences (RF)**

La puissance de sortie rayonnée de l'appareil sans fil est inférieure aux limites d'exposition aux fréquences radio d'Industrie Canada (IC). Le dispositif sans fil doit être utilisé de manière à réduire au minimum le risque de contact humain en fonctionnement normal. Cet appareil a été évalué et démontré conforme aux exigences d'exposition RF de l'ISED dans des conditions d'exposition à des appareils portables (antennes situées à plus de 20 cm du corps).

normal operation is minimized. This device has also been evaluated and shown compliant with the ISED RF Exposure limits under mobile exposure conditions (antennas are greater than 20 cm from a person's body).

## 7. AVERTISSEMENT, MISE EN GARDE ET AVIS

### WARNING

AVERTISSEMENT : indique une situation dangereuse qui, faute d'être évitée, peut entraîner la mort ou des blessures graves.

### CAUTION

ATTENTION : indique une situation dangereuse qui, faute d'être évitée, pourrait entraîner des blessures légères ou modérées.

### NOTICE

AVIS : est utilisé pour des pratiques liés au soin de blessures qui ne sont pas physiques.

### WARNING

#### HAUT-PARLEUR

- Ce haut-parleur est extrêmement fort en volume. Faites attention quand vous êtes placé devant ou près du haut-parleur pendant la diffusion de son car cela peut résulter en dommages auditifs.
- Si vous constatez des signes de dommages éventuels, tels que du plastique fondu, des températures anormalement élevées ou des odeurs provenant de votre haut-parleur, éteignez le dispositif et contactez SOUNDBOKS via [info@SOUNDBOKS.com](mailto:info@SOUNDBOKS.com).
- Si l'appareil dégage de la fumée, des odeurs de brûlé ou émet des sons inhabituels, débranchez-le immédiatement du secteur ou de la batterie et ne l'utilisez plus. contactez SOUNDBOKS via [info@SOUNDBOKS.com](mailto:info@SOUNDBOKS.com).
- Un sol instable peut faire basculer l'enceinte et blesser ou même tuer quelqu'un ; les enfants sont particulièrement à risque. Évitez un grand nombre d'accidents en prenant les précautions suivantes :

- Toujours utiliser sur une surface stable. Placez votre haut-parleur SOUNDBOKS Go à un endroit sans risque de chute, afin de ne blesser personne
- Si le haut-parleur SOUNDBOKS n'est pas monté correctement, ne l'utilisez pas dans des véhicules, dans des endroits instables, sur des trépieds ou des meubles vacillants, dont les supports sont insuffisants, etc.
- Placez le haut-parleur SOUNDBOKS de manière à l'empêcher de se renverser par inadvertance et assurez-vous que les câbles ne présentent pas de risque de trébuchement.
- Lorsque vous rangez le haut-parleur SOUNDBOKS, veillez également à ce qu'il soit bien en place, et qu'il ne puisse pas être retourné ou écrasé.

## CHARGEUR

- Veillez à lire le chapitre des instructions concernant le chargeur et le câble CA avant de les utiliser.
- Pour éviter le risque de choc ou d'endommagement du produit, veillez à utiliser le haut-parleur SOUNDBOKS avec le chargeur approuvé tel que celui qui est fourni avec l'appareil.
- Ne transportez jamais le chargeur par le câble.
- Le câble d'alimentation et l'adaptateur secteur sont réservés à un usage intérieur.
- Utilisez uniquement un chargeur SOUNDBOKS officiel.
- Ne branchez jamais le chargeur directement sur le haut-parleur sans que la batterie soit connectée

## BATTERIE

- Veillez à lire le chapitre des instructions concernant la batterie avant de l'utiliser.
- Une manipulation incorrecte des batteries rechargeables peut provoquer un incendie ou une explosion.
- Conservez la batterie rechargeable à l'abri des trombones, pièces de monnaie, clés, vis ou autres petits objets métalliques qui pourraient provoquer un pontage des contacts. Un court-circuit entre les contacts de la batterie rechargeable peut entraîner des brûlures ou un incendie.
- N'utilisez que des batteries SOUNDBOKS officielles.
- L'utilisation de batteries de voiture ou de batteries non officielles peut entraîner des situations dangereuses, notamment des risques d'incendie ou d'explosion.
- En cas d'utilisation incorrecte, de l'acide corrosif peut s'échapper de la batterie rechargeable. N'y touchez surtout pas. En cas de contact accidentel, rincez immédiatement et abondamment à l'eau, puis consultez un médecin.
- Ne transportez jamais la batterie rechargeable par le câble.
- Évitez les chocs et les tensions brusques.
- Risque d'incendie ou d'explosion si la batterie est remplacée par un type incorrect.
- La destruction d'une batterie dans un feu ou dans un four chaud, ou écrasement ou coupure mécanique d'une batterie, pouvant entraîner une explosion.
- Laisser une batterie dans un environnement à température extrêmement élevée pouvant entraîner une explosion ou une fuite de liquide ou de gaz inflammable.
- Une batterie soumise à une pression d'air extrêmement basse peut entraîner une

explosion ou une fuite de liquide ou de gaz inflammable.

## GÉNÉRALITÉS

- Ne laissez jamais les enfants utiliser des appareils électriques sans surveillance.
- N'ouvrez jamais le boîtier de l'appareil. Confiez les réparations à un atelier spécialisé agréé. Dans ce processus, seules les pièces correspondant aux caractéristiques d'origine de l'appareil peuvent être utilisées.
- N'utilisez que des accessoires spécifiés par le fabricant.
- En cas d'éclaboussures d'eau ou de débris dans le boîtier du haut-parleur, débranchez immédiatement la fiche principale et retirez la batterie rechargeable. Contactez ensuite notre service clientèle SOUNDBOKS via [info@SOUNDBOKS.com](mailto:info@SOUNDBOKS.com).
- Ne modifiez en aucun cas l'appareil. Toute intervention non autorisée peut affecter sa sécurité, sa fonctionnalité et la garantie. La seule pièce pouvant être modifiée est la grille frontale.
- Cet appareil et ses accessoires peuvent vous exposer à des produits chimiques, notamment le plomb, qui est connu dans l'État de Californie pour causer le cancer et des anomalies congénitales ou d'autres troubles de la reproduction.

## CAUTION

Une écoute prolongée à volume élevé peut entraîner une perte auditive. Pour éviter toute atteinte à la santé, évitez l'écoute prolongée à volume élevé.

## NOTICE

- Cet appareil fonctionne dans les bandes de fréquences suivantes (pour BT, BLE & 2.4G) : 2 402 ~ 2 480 MHz. La puissance radiofréquence maximale transmise est de 8,4 dBm

- Une mauvaise utilisation et un entretien incorrect constituent les principales causes d'endommagement des batteries rechargeables haute performance.
- Évitez une décharge trop importante, de moins de 20 % pour une alimentation optimale de la batterie rechargeable.
- Rechargez fréquemment votre batterie rechargeable.
- Rangez la batterie rechargeable dans un endroit frais, mais à l'abri du gel, idéalement à 15 °C/59 °F. Des températures plus élevées entraînent un taux d'autodécharge plus important et raccourcissent les intervalles entre les charges.
- N'exposez pas la batterie rechargeable à la lumière directe du soleil ni à d'autres sources de chaleur.
- Une décharge trop importante endommagera la batterie rechargeable. La cause la plus fréquente de décharge importante tient au stockage prolongé ou la non-utilisation d'une batterie rechargeable partiellement déchargée. Ne rangez la batterie rechargeable qu'une fois qu'elle est complètement chargée.
- Si le produit SOUNDBOKS est soumis à des températures élevées après avoir été refroidi (par ex. après son transport), il se peut que de la condensation s'y forme. Le cas échéant, attendez au moins 2 heures avant de brancher et d'activer le produit SOUNDBOKS.
- Ne placez pas de sources de flammes ouvertes telles que des bougies allumées ou autres sur le haut-parleur SOUNDBOKS.
- Ne placez pas les produits SOUNDBOKS à proximité de sources de chaleur (p. ex. appareils de chauffage, fours).
- Veillez à une ventilation suffisante.
- Ne couvrez pas les événements avec des

rideaux, des couvertures, des affiches ou tout objet similaire. L'accumulation de chaleur à l'intérieur d'un produit SOUNDBOKS peut réduire sa durée de vie.

- Si le produit SOUNDBOKS doit rester sans surveillance pendant une période prolongée (par exemple pendant les vacances), mettez l'appareil hors tension et débranchez-le. Veillez à ranger votre produit SOUNDBOKS dans un endroit propre, sec et protégé.
- Évitez les charges ou décharges électrostatiques. N'utilisez jamais de chiffons ou d'éponges synthétiques pour nettoyer la batterie rechargeable, mais un chiffon humidifié, sans produits nettoyants.

## 8. UTILISATION VISÉE

Ce produit est un haut-parleur destiné à diffuser de la musique et du son en connexion avec un appareil sonore tel qu'un smartphone, une tablette ou d'autres appareils compatibles. Il ne doit pas être utilisé à d'autres fins. Tout autre usage que celui autorisé aux termes des présentes est considéré comme inapproprié et peut entraîner des blessures corporelles ou des dommages matériels. Aucune responsabilité ne sera prise de notre part en cas de dommages provenant d'un emploi inapproprié.

## 9. INFORMATIONS CONCERNANT LA MISE AU REBUT



Ce produit contient des batteries et des composants électroniques recyclables. Pour protéger l'environnement, ne pas jeter avec les déchets ménagers, mais apporter aux points de collecte locaux appropriés.

Les matériaux d'emballage de la SOUNDBOKS peuvent être recyclés. Nous recommandons de trier séparément les parties marquées de symboles de recyclage lors de la mise au rebut.



## 10. MARQUAGE



La marque et les logos Bluetooth® sont des marques déposées appartenant à Bluetooth SIG, Inc. et leur utilisation est donc soumise à licence.

iPhone® est une marque déposée d'Apple, Inc.

Android™ est une marque commerciale de Google, Inc.



Le Badge Compatible SKAA de votre appareil signifie que ce dernier a été testé, qu'il est entièrement compatible avec toutes les exigences du standard SKAA, et qu'il a obtenu la certification SKAA. Ce produit fonctionnera en symbiose avec les autres dispositifs d'émission et de réception audio de l'écosystème SKAA. Pour plus d'informations sur le standard SKAA, veuillez consulter le site [www.SKAA.com](http://www.SKAA.com). Le nom SKAA®, ainsi que ses marques, logos et icônes, sont les marques déposées de Eleven Engineering Incorporated.

## 11. DERNIÈRES OBSERVATIONS

Nous espérons que vous passerez un excellent moment avec votre haut-parleur SOUNDBOKS. N'hésitez pas à nous contacter si vous avez des questions, des idées ou pour toute autre remarque. Nous serons ravis de discuter avec vous !

N'hésitez pas à nous écrire sur [info@SOUNDBOKS.com](mailto:info@SOUNDBOKS.com)

### **Adresse de l'entreprise aux États-Unis :**

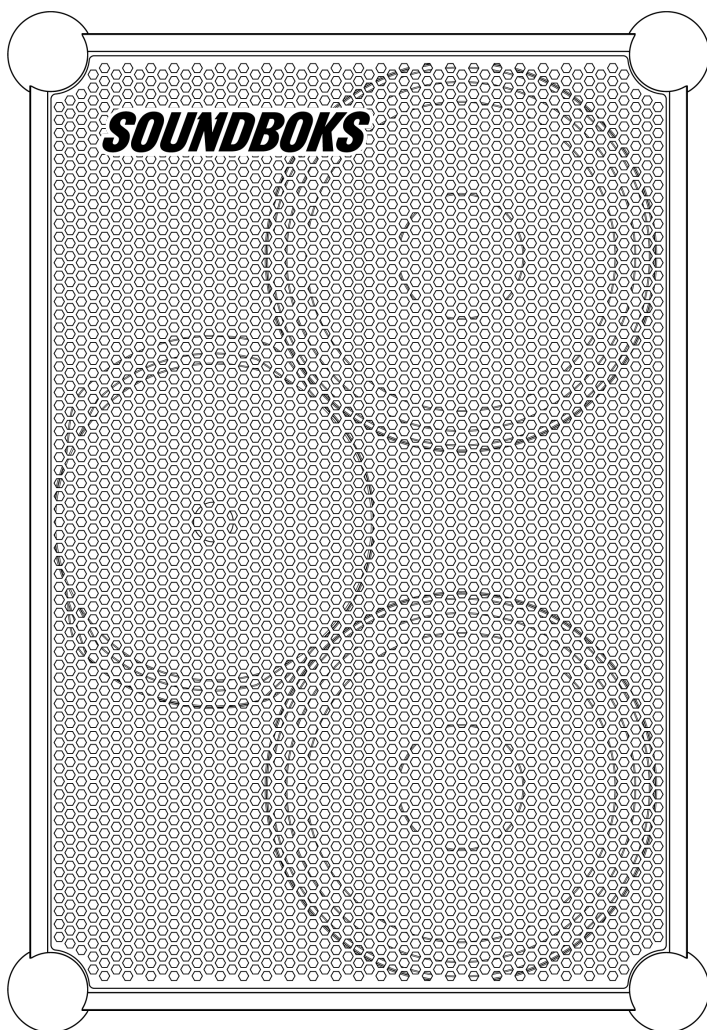
SOUNDBOKS Inc.  
1968 S. Coast Hwy #2510  
Laguna Beach CA 92651  
United States of America

### **Pour le reste du monde :**

SOUNDBOKS ApS  
CVR : 36457597  
Esromgade 15, 1107  
2200 Copenhagen N  
Denmark

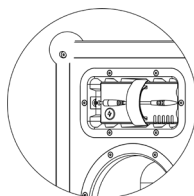
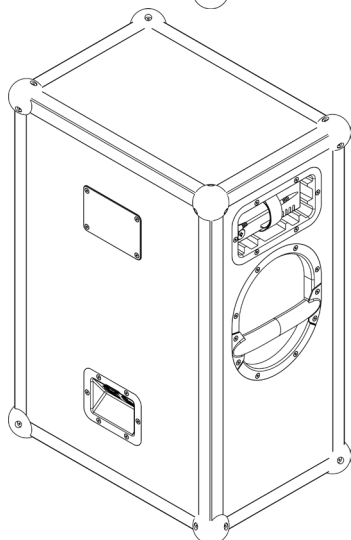
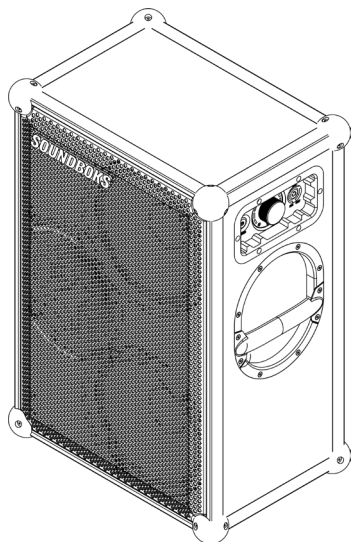
***SOUNDBOKS***

# **SOUNDBOKS (GEN. 4) MANUAL DE USO**

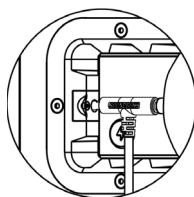


# LA ÚLTIMA GENERACIÓN DE SOUNDBOKS

Aproveche de toda la potencia de un nuevo nivel de sonido, diseño y rendimiento por Bluetooth. Esto es SOUNDBOKS (Gen. 4).

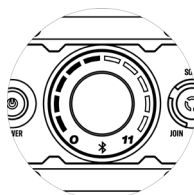


- 01** Cargue completamente su batería BATTERYBOKS durante aproximadamente 3,5 horas para optimizar el rendimiento.
- 02** Una vez cargada, deslice (sin forzar) la BATTERYBOKS en la ranura de la batería hasta que encajen perfectamente. Tras ello, enchufe el conector de CC.



**!** Nunca enchufe el conector directamente al altavoz sin la batería. Su cargador no es una fuente de alimentación.

- 03** El cargador no es una fuente de alimentación. El SOUNDBOKS está diseñado para funcionar solo con batería. El cargador con conector en T ha sido diseñado para usarse junto con su batería solo mientras reproduce sonido a un volumen moderado. Si desea reproducir sonido y cargar el SOUNDBOKS al mismo tiempo, reduzca el volumen a la mitad o menos (las 12 en punto en el selector con cinco luces iluminadas)..



- 04** Encienda su altavoz presionando el botón de encendido. Cuando se enciendan los LED alrededor de la rueda de volumen, podrá conectar el altavoz.
- 05** Para conectarlo, vaya a la configuración de Bluetooth de su dispositivo, busque y seleccione SOUNDBOKS #YourTeamID. La ID de su equipo se encuentra en la parte posterior del altavoz.
- 06** Elija su canción favorita, suba el volumen, salga a la calle y vaya Más Allá del Ruido.



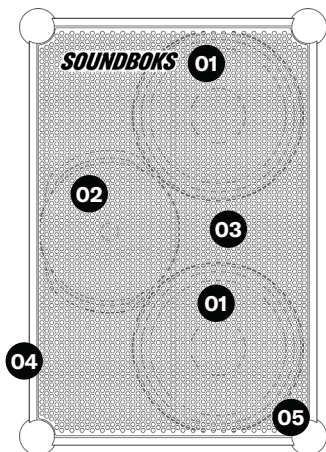
**¿Alguna pregunta?  
Consulte respuestas  
rápidas aquí.**

<b>1. SOUNDBOKS (GEN. 4)</b>	<b>62</b>
1.1 Descripción general	
1.2 Especificaciones	
1.3 Funcionamiento de los LED	
1.4 Personalización	
1.5 SKAA y botón Bond	
<b>2. BATTERYBOKS Y CARGADOR</b>	<b>72</b>
2.1 Descripción general	
2.2 Carga de las BATTERYBOKS	
<b>3. GARANTÍA Y SERVICIO</b>	<b>74</b>
<b>4. LIMITACIÓN DE RESPONSABILIDAD</b>	<b>76</b>
<b>5. DESCARGO DE RESPONSABILIDAD</b>	<b>77</b>
<b>6. CUMPLIMIENTO DE NORMATIVAS</b>	<b>78</b>
<b>7. ADVERTENCIA, PRECAUCIÓN Y AVISO</b>	<b>80</b>
<b>8. USO PREVISTO</b>	<b>83</b>
<b>9. INFORMACIÓN SOBRE EL DESECHO</b>	<b>84</b>
<b>10. MARCAS</b>	<b>85</b>
<b>11. OBSERVACIONES FINALES</b>	<b>86</b>

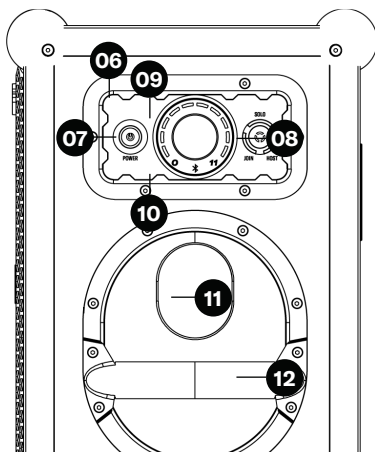
# 1. SOUNDBOKS (GEN. 4)

## 1.1 Descripción general

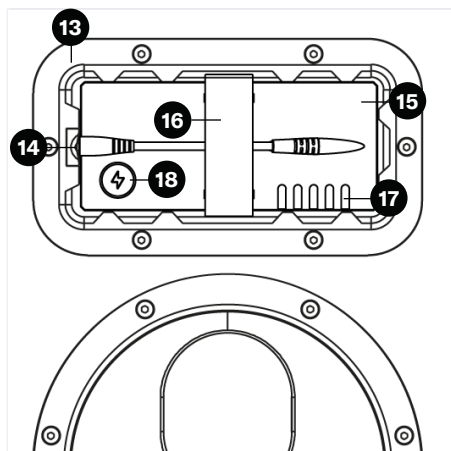
- 1.2 Especificaciones
- 1.3 Funcionamiento de los LED
- 1.4 Personalización
- 1.5 SKAA y botón Bond



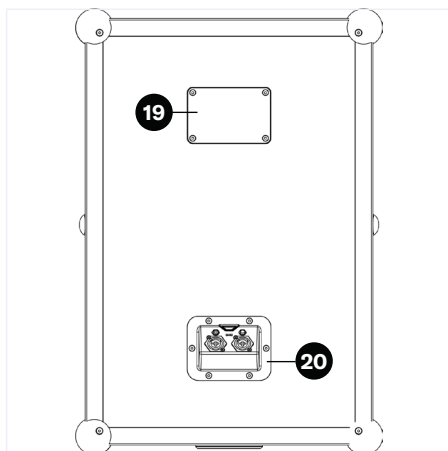
- 01** Transductores de los bajos
- 02** Tweeter
- 03** Rejilla fija
- 04** Ángulos de aluminio con imprimación en polvo
- 05** Esquinas con bolas de silicona



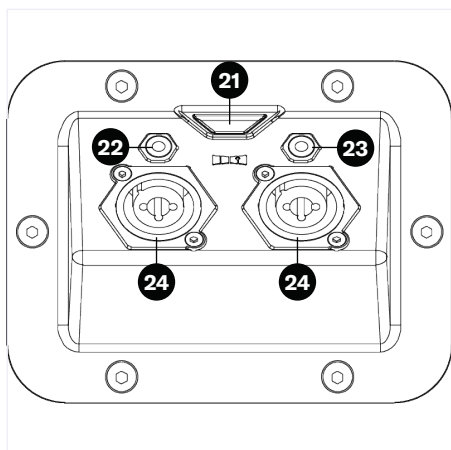
- 06** Panel de la interfaz del usuario
- 07** Botón de ENCENDIDO
- 08** Botón TeamUP (SOLO/HOST/JOIN)
- 09** Ruedecilla de VOLUMEN
- 10** Indicador LED de Bluetooth
- 11** Toma de reflejo de pulso
- 12** Mango de acero con imprimación en polvo



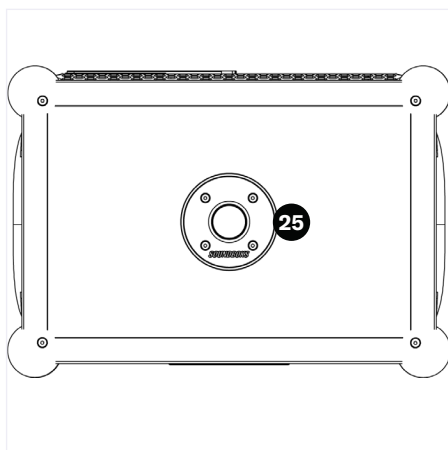
- 13** Toma de la batería
- 14** Entrada de CC
- 15** BATTERYBOKS
- 16** Correa
- 17** Indicador LED de duración de la batería
- 18** Botón de estado del nivel de batería



- 19** ID único del equipo SOUNDBOKS (Gen. 4)
- 20** Pro-Panel



- 21** Botón Bond de SKAA e indicador LED
- 22** Entrada estéreo de 3,5 mm (1/8")
- 23** Salida estéreo de 3,5 mm (1/8")
- 24** Entradas combinadas de micrófono/  
instrumento (XLR, 1/4")



- 25** Poste de instalación

# 1. SOUNDBOKS (GEN. 4)

- 1.1 Descripción general
- 1.2 Especificaciones**
- 1.3 Funcionamiento de los LED
- 1.4 Personalización
- 1.5 SKAA y botón Bond

## SONIDO

### Amplificador

Amplificadores Merus Audio eximo®  
Tres amplificadores de clase D de 72 W RMS  
DSP de graves avanzado

### Transductores

Dos woofers de 10"  
Un tweeter con controlador de compresión  
de 1"

### Acústica

Rango de frecuencia efectivo: 40 Hz - 20 kHz  
Perfil de sonido personalizado con  
potenciador de graves  
Toma de reflejo de pulso personalizada

### Conectividad

Bluetooth 5.0  
Conexión inalámbrica TeamUp con hasta  
cinco productos de SOUNDBOKS compatibles  
con SKAA

### Compatibilidad

Compatible con iPhone® y Android™

### Pro Panel

Dos entradas combinadas de micrófono e  
instrumento (XLR, 1/4")  
Una entrada estéreo de 3,5 mm (1/8")  
Una salida estéreo de 3,5 mm (1/8")  
Botón Bond de SKAA

## ESTRUCTURA

### Dimensiones

66 × 43 × 32 cm (25,6 × 17 × 13 pulgadas (Al.  
× An. × Pr.))



## Peso

16,1 kg / 35,5 libras

## Materiales

Caja de álamo

Bastidor de aluminio con imprimación en polvo

Mangos de acero con imprimación en polvo

Rejilla de acero con imprimación en polvo o líquida (dependiendo del color)

Esquinas con bolas de silicona

## Características

Rejilla y baterías intercambiables

Toma de reflejo de pulso

1 × Poste de instalación de Ø35 mm

Panel de la interfaz con el usuario:

Control de volumen

Modo HOST/JOIN para TeamUP

inalámbrico

## Temperatura

Uso general: -20 °C a 55 °C

Almacenamiento recomendado: 5 °C a 20 °C para una vida útil óptima del producto

## BATERÍA

### Diseño

Indicador LED de duración de la batería de cinco niveles

Conector de CC reforzado

### Tipo de celda

Batería recargable de iones de litio

Litio-ferrofosfato (LiFePO4)

## Rendimiento de la batería

Salida: 12.8V  $\text{---}$

Temperatura de descarga - 20 °C a 55 °C (-4 °F a 131 °F)

Temperatura de carga 0 °C a 40 °C (32 °F a 104 °F)

Capacidad: 99,84 Wh o 7,8 Ah



## Duración de la batería

40 horas a volumen medio

5 horas a todo volumen

3,5 horas para recarga completa


## Sistema de gestión de la batería (BMS)

Protección contra descargas excesivamente altas o bajas

Protección contra cortocircuitos

Protección contra sobrecalentamientos

Gestión de tensión de celda

El modo de suspensión comienza después de 14 días de inactividad. Presione el  para reactivarlo.

## Transporte

La batería cuenta con certificado de seguridad para el transporte seguro según UN38.3

## CARGADOR

### Rendimiento del cargador

Entrada: 100-240 V ~ 50-60 Hz, 1,2 A máx.

Salida: 14.0V  $\text{---}$  3.3A

# 1. SOUNDBOKS (GEN. 4)

1.1 Descripción general

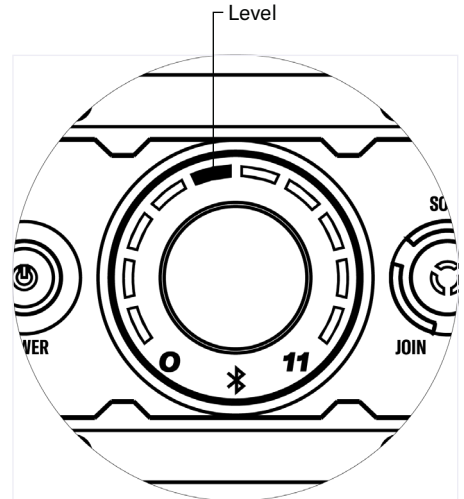
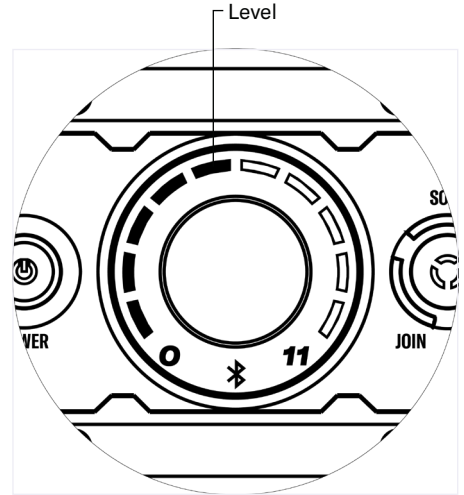
1.2 Especificaciones

## 1.3 Funcionamiento de los LED

1.4 Personalización

1.5 SKAA y botón Bond

Su SOUNDBOKS (Gen. 4) desactiva los LED de los niveles anteriores una vez transcurridos 10 segundos a volumen constante para ahorrar energía.

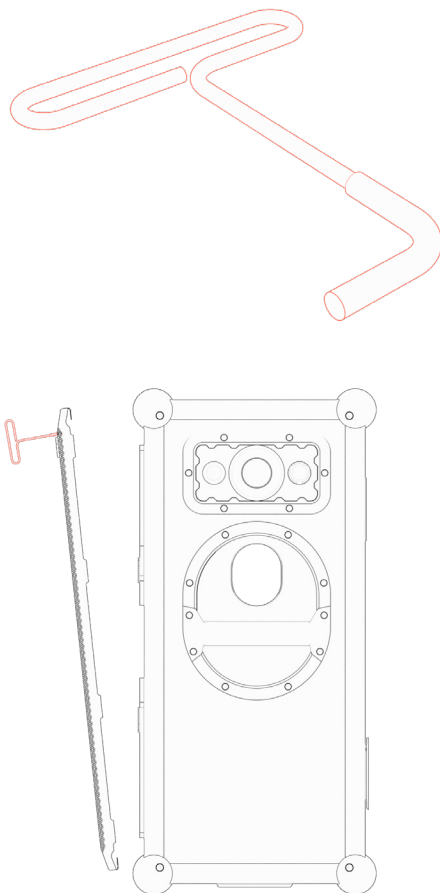


# 1. SOUNDBOKS (GEN. 4)

- 1.1 Descripción general
- 1.2 Especificaciones
- 1.3 Funcionamiento de los LED
- 1.4 Personalización**
- 1.5 SKAA y botón Bond

La última versión de la rejilla de SOUNDBOKS está diseñada para facilitar la personalización: extráigala, retire el logo, confíe en su creatividad y transforme su nuevo SOUNDBOKS en una obra de arte.

Esta es una guía detallada para comenzar la personalización.



## Extracción de la rejilla

La rejilla de SOUNDBOKS (Gen. 4) utiliza un broche a presión para sujetarse al altoparlante, y puede retirarse con la herramienta de extracción de rejillas que se incluye. Esta herramienta consta de un mango

y una punta de goma.

Enganche la punta de goma en los orificios de la rejilla para extraerla. Tire de las esquinas de la rejilla para facilitar la extracción.

Con cuidado, comience a sacar la rejilla del altoparlante. Afloje la rejilla de manera uniforme en múltiples puntos del borde hasta que se desprenda y se pueda quitar con la mano.

### **Eliminación del logotipo de SOUNDBOKS**

Mantenga el logotipo limpio. Desenrosque el logotipo y guárdelo en un lugar seguro.

### **Exprésese**

Convierta su SOUNDBOKS en algo suyo. La rejilla admite la mayoría de pinturas; solo tiene que asegurarse de aplicar una capa de imprimación antes y un sellador después para que dure.

### **Que empiece la fiesta**

Ponga el logotipo de vuelta en la rejilla, y coloca la rejilla de vuelta en el altoparlante. Conecte su música, suba el volumen y saque su SOUNDBOKS a la calle.

# 1. SOUNDBOKS (GEN. 4)

- 1.1 Descripción general
- 1.2 Especificaciones
- 1.3 Funcionamiento de los LED
- 1.4 Personalización

## 1.5 SKAA y botón Bond

La siguiente es la GUÍA DE USO OFICIAL DEL RECEPTOR SKAA. En ella se describe en detalle cómo utilizar el botón Bond, ubicado en el Pro Panel de la parte posterior de su SOUNDBOKS (Gen. 4), y solucionar problemas relacionados con él. El botón Bond controla el modo JOIN mediante TeamUP, la

función de conexión inalámbrica en cadena (o margarita). El receptor de SKAA® tiene una Lista Verde que recuerda sus transmisores favoritos. El Indicador Verde de su receptor señala que está escuchando o buscando un favorito. Su receptor también puede explorar para encontrar nuevos transmisores: el indicador ámbar señala que está explorando en busca de transmisores que no están en su lista verde. Un Cluster es un producto con dos o más equipos que se comportan como uno solo. El botón Bond le permite seleccionar qué transmisor está escuchando. El logotipo del botón Bond consta de dos flechas.



La insignia de compatibilidad con SKAA que se encuentra en el producto certifica que este producto ha sido probado y cumple totalmente con todos los requisitos del SKAA Standard y se le ha otorgado la SKAA Certification. Este producto funciona a la perfección con otros productos dentro del ecosistema de dispositivos de transmisión y recepción de audio de SKAA. Para obtener más información sobre el SKAA Standard, visita [www.SKAA.com](http://www.SKAA.com). El nombre SKAA®, así como sus marcas, logotipos e iconos asociados, son marcas comerciales o marcas comerciales registradas de Eleven Engineering Incorporated.

<b>Botón Bond</b>	<b>Orden</b>	<b>Indicador</b>	<b>Significado</b>
Mantener pulsado unos segundos	<b>Añadir / Eliminar</b> Añade o elimina manualmente el transmisor actual de su lista verde.	● a ● ● parpadeando	Añadido Eliminado
Mantener pulsado unos segundos	<b>Añadir automáticamente</b> SKAA añadirá automáticamente el transmisor ámbar actual a su Lista Verde si lo escucha durante 30 minutos	● a ●	Añadido
1 clic	<b>Modo Verde</b> Navegue por su lista de transmisores favoritos (lista verde); cuando se encuentra un transmisor favorito, la búsqueda se detiene y se reproduce el audio de ese transmisor.	● tenue ● flash ● brillante	Búsqueda Siguiente Vinculado
2 clics	<b>Modo Ámbar</b> Explora en busca de transmisores nuevos y desconocidos (los que todavía no están en su Lista Verde).	● tenue ● brillante	Búsqueda Vinculado
3 clics	<b>Silenciar</b> Vuelva a ejecutarlo para desactivar el silencio; al efectuar cualquier orden mediante clic, en primer lugar se desactivará el silencio y luego se realizará la función correspondiente	● , ● o ● parpadeo lento	En sourdine
4 clics	<b>Modo Rojo</b> Si hay dos o más transmisores en su lista verde, enciende solo el que quiere escuchar y se reproduce automáticamente	● tenue ● brillante	Búsqueda Vinculado
6 clics	<b>Restablecer condiciones de fábrica</b> Borra la lista verde. ¡Vuelva a empezar!	● parpadeando	Restablecimiento completado
Mantener pulsado al encender el aparato	<ol style="list-style-type: none"> <li>1. Coloque los altavoces JOIN que se añadirán en grupo a menos de 3 metros del altoparlante maestro JOIN.</li> <li>2. Apague el altoparlante HOST.</li> <li>3. Encienda todos los altavoces JOIN que se añadirán al grupo, pero mantenga apagado el altoparlante maestro JOIN.</li> <li>4. En el altoparlante maestro JOIN, mantenga presionado el botón Bond antes de presionar el botón de encendido; mantenga presionados ambos y espere hasta que comience a parpadear en rojo; primero suelte el botón de encendido y luego el botón Bond. El altoparlante maestro JOIN ahora parpadea en rojo. El resto de LED del altoparlante maestro</li> </ol>	● parpadeando  ● brillante	El receptor ha entrado en el modo de Grupo.  El grupo se ha formado satisfactoriamente

JOIN se apaga.

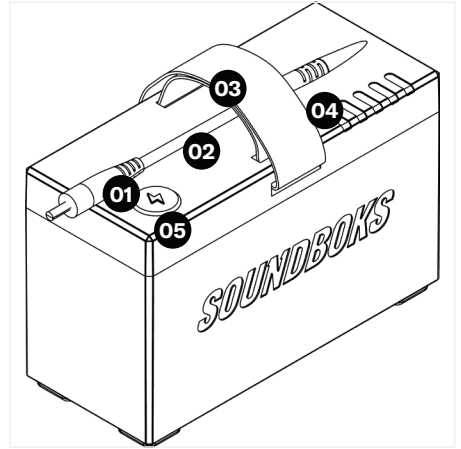
5. Mientras el LED maestro JOIN parpadea en rojo, presione el botón Connect hasta que se seleccione JOIN en todos los altavoces JOIN que desee añadir al grupo. Solo tendrá 10 segundos para completar este paso.
6. Cuando se acepten todos los altavoces JOIN en el grupo, su LED cambiará a ROJO sólido.
7. En cuanto todo los LEDs JOIN del grupo estén en rojo sólido, apague todos los altavoces JOIN.
8. Encienda el altoparlante HOST y colóquelo en modo HOST haciendo clic en el botón Connect. Conecte el audio BT o AUX para reproducir música en el altoparlante HOST.
9. Encienda los altavoces JOIN del grupo y colóquelos en modo JOIN. Todos los altavoces ahora están reproduciendo música desde el HOST. El volumen de todos los altavoces JOIN se puede controlar desde cualquiera de los altavoces JOIN del grupo; la función de 3 clics del botón Bond también se comparte entre el grupo para silenciar todos los altavoces JOIN.

El botón Bond del altoparlante maestro JOIN tiene la misma función de clic descrita anteriormente. El volumen del altoparlante HOST se controla solo y está aislado del grupo. Para cancelar el modo de grupo en una unidad, repita el paso 4. Espere a que el rojo sea sólido y haga clic 6 veces en el botón Bond

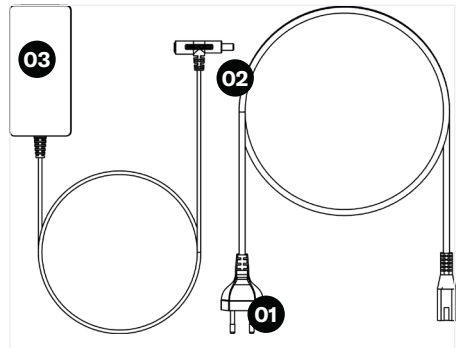
## 2. BATTERYBOKSY CARGADOR

### 2.1 Descripción general

### 2.2 Carga de las BATTERYBOKS



- 01** Enchufe de CC de la batería
- 02** Cable de CC
- 03** Correa de transporte
- 04** Indicador LED de duración de la batería
- 05** Botón de estado del nivel de la batería



Enchufe regional solo como referencia

- 01** Cable de alimentación
- 02** Entrada de CC de la batería
- 03** Enchufe de CC del cargador



## 2. BATTERYBOKS Y CARGADOR

### 2.1 Descripción general

### 2.2 Carga de las BATTERYBOKS

Recuerde desconectar la batería después de haberse cargado por completo y nunca dejarla cargando durante más de seis horas seguidas, ya que podría dañarse. Estas son las dos formas de cargar su BATTERYBOKS:

#### **Cargar la batería fuera del SOUNDBOKS (Gen. 4)**

Inserte el enchufe de CC de BATTERYBOKS en la entrada de CC de su cargador y enchufe el cable de alimentación del cargador en la toma de corriente más cercana.

#### **Cargar la batería en el SOUNDBOKS (Gen. 4)**

El cargador no es una fuente de alimentación para el altoparlante! El SOUNDBOKS está diseñado para funcionar solo con batería. El cargador con conector en T ha sido diseñado para usarse junto con su batería solo mientras reproduce sonido a un volumen moderado. Si desea reproducir sonido y cargar el SOUNDBOKS al mismo tiempo, reduzca el volumen a la mitad o menos (las 12 en punto en el selector con cinco luces iluminadas).

#### **IMPORTANTE**

Nunca utilice el SOUNDBOKS (Gen. 4) sin una BATTERYBOKS; es decir, conectando el cargador directamente al SOUNDBOKS (Gen. 4).

Utilice solo un cargador y una batería oficiales vendidos por SOUNDBOKS o otro distribuidor homologado. Todos los cargadores y baterías oficiales de SOUNDBOKS llevan el logotipo de SOUNDBOKS en la parte posterior.

### 3. GARANTÍA Y MANTENIMIENTO

SOUNDBOKS GARANTIZA (“GARANTÍA LIMITADA”) QUE EL PRODUCTO DE SOUNDBOKS ESTÁ LIBRE DE DEFECTOS MATERIALES Y DE MANUFACTURA EN EL MOMENTO DE LA COMPRA ORIGINAL POR PARTE DEL USUARIO FINAL (EL “CLIENTE” O “USTED”). ESTA GARANTÍA LIMITADA CUBRE LA OPERATIVIDAD DEL PRODUCTO DE SOUNDBOKS DURANTE SU USO NORMAL Y PREVISTO SOLAMENTE EN UN ENTORNO COMO EL QUE SE ESPECIFICA A CONTINUACIÓN. ESTA GARANTÍA NO CUBRE LOS ERRORES DE FUNCIONAMIENTO QUE RESULTEN DEL USO O MANTENIMIENTO INAPROPIADOS O NO RAZONABLES, TALY COMO SE ESPECIFICA MÁS ADELANTE EN LA SECCIÓN 4, NI NINGUNA REPARACIÓN NO AUTORIZADA, EL DESGASTE NORMAL NI CAUSAS EXTERNAS TALES COMO ACCIDENTES, ABUSO O OTRAS ACCIONES O EVENTOS QUE SE ENCUENTREN MÁS ALLÁ DE NUESTRO CONTROL RAZONABLE.

Esta Garantía Limitada se otorga al Cliente que compra un producto de SOUNDBOKS nuevo directamente a SOUNDBOKS. Esta Garantía Limitada no se puede asignar ni transferir a ningún comprador o usuario posterior. Cualquier producto de SOUNDBOKS comprado a un minorista autorizado está cubierto por las condiciones de garantía proporcionadas por dicho minorista autorizado. La Garantía Limitada se limita a la reparación o sustitución del producto de SOUNDBOKS a discreción de SOUNDBOKS; esta Garantía Limitada no cubre los costes de transporte, remoción o instalación de un producto de SOUNDBOKS. Esta Garantía Limitada tiene una duración de DOS (2) AÑOS a partir de la compra original del Cliente del producto de SOUNDBOKS. Si SOUNDBOKS recibe, durante el período en el que se aplique la garantía, un aviso válido sobre un defecto en cualquier producto de SOUNDBOKS cubierto por la garantía (consulte la lista de los productos cubiertos en SOUNDBOKS.com/help), SOUNDBOKS, a discreción de SOUNDBOKS,

- a) dentro de un tiempo razonable después de ser notificado acerca del defecto:
- b) reparará el defecto sin cargo, utilizando piezas de repuesto nuevas o reacondicionadas, o
- c) reemplazará el producto.

El tiempo de respuesta puede variar de un país a otro y está, entre otras cosas, sujeto a la disponibilidad de piezas, mano de obra y transporte.

### **PARA PEDIR ASISTENCIA: VISITE SOUNDBOKS.COM/HELP**

ESTA GARANTÍA LIMITADA LE OTORGA DERECHOS LEGALES ESPECÍFICOS; USTED TAMBIÉN PUEDE TENER OTROS DERECHOS LEGALES, QUE VARIAN EN FUNCIÓN DEL ESTADO. LIMITAMOS LA DURACIÓN Y LOS RECURSOS DE TODAS LAS GARANTÍAS IMPLÍCITAS, INCLUIDAS, ENTRE OTRAS, LAS GARANTÍAS DE COMERCIABILIDAD E IDONEIDAD PARA UN FIN DETERMINADO, A LA DURACIÓN DE ESTA GARANTÍA LIMITADA EXPRESA. ALGUNOS ESTADOS DE ESTADOS UNIDOS NO PERMITEN LIMITACIONES SOBRE LA DURACIÓN DE UNA GARANTÍA IMPLÍCITA, POR LO QUE LA LIMITACIÓN ANTERIOR PUEDE NO SER APLICABLE EN SU CASO.

LAS CONDICIONES DE LA COMPRA DE LOS PRODUCTOS DE SOUNDBOKS ESPECIFICAN LA GARANTÍA POR DEFECTOS Y CONFORMIDAD, Y UNA POSIBLE GARANTÍA COMERCIAL ADICIONAL QUE OTORGA SOUNDBOKS. LAS CONDICIONES PARA CONSUMIDORES (B2C) Y PARA NEGOCIOS COMPRADORES (B2B) SE PUEDEN ENCONTRAR EN ([www.SOUNDBOKS.com/terms](http://www.SOUNDBOKS.com/terms)). SE APLICAN CONDICIONES ESPECÍFICAS EN CASO DE QUE EL PRODUCTO SE UTILICE PARA ACTIVIDADES DE ALQUILER. ESTE DOCUMENTO DE CONDICIONES ESPECIFICA LOS DERECHOS BAJO LAS GARANTÍAS RESPECTIVAS, SUS CONDICIONES, LIMITACIONES Y RECURSOS.

LE RECOMENDAMOS LEER NUESTRAS CONDICIONES. SE RECUERDA A LOS CONSUMIDORES QUE RESIDAN EN LA UE QUE TIENEN DERECHO A UNA GARANTÍA JUDICIAL.

### **Cómo obtener servicio de garantía o presentar una reclamación de la garantía:**

En Europa:

SOUNDBOKS ApS, Esromgade 15, 2200 Copenhagen N, Dinamarca; CVR n°. 36457597, correo electrónico: [info@SOUNDBOKS.com](mailto:info@SOUNDBOKS.com).

Póngase en contacto con el proveedor del servicio y siga los procedimientos especificados por él. En los EE. UU. y Canadá: Póngase en contacto con SOUNDBOKS Inc., 1968 S. Coast Hwy #2510 Laguna Beach CA 92651, EE. UU., correo electrónico: [info@SOUNDBOKS.com](mailto:info@SOUNDBOKS.com).

Puede encontrar el número de serie de su SOUNDBOKS (Gen. 4) en el interior del compartimiento de la batería.

## **4. LIMITACIÓN DE RESPONSABILIDAD**

LOS RECURSOS DESCRITOS ARRIBA SON SUS ÚNICOS Y EXCLUSIVOS RECURSOS Y NUESTRA TOTAL RESPONSABILIDAD POR CUALQUIER INCUMPLIMIENTO DE ESTA GARANTÍA LIMITADA. NUESTRA RESPONSABILIDAD BAJO NINGUNA CIRCUNSTANCIA EXCEDERÁ LA CANTIDAD REAL PAGADA POR USTED POR EL PRODUCTO DEFECTUOSO, NI BAJO NINGUNA CIRCUNSTANCIA SEREMOS RESPONSABLES DE CUALQUIER DAÑO O PÉRDIDA INDIRECTA, ACCIDENTAL, ESPECIAL O PUNITIVA, YA SEA DIRECTA O INDIRECTA. ALGUNOS ESTADOS DE ESTADOS UNIDOS NO PERMITEN LA EXCLUSIÓN O LA LIMITACIÓN DE DAÑOS INDIRECTOS O CONSECUENTES, POR LO QUE PUEDE QUE LA LIMITACIÓN O EXCLUSIÓN ANTERIOR NO SE APLIQUE EN SU CASO.

## 5. DESCARGO DE RESPONSABILIDAD

Salvo lo dispuesto por la Garantía Limitada y en la medida en que lo permita la ley, en ningún caso y bajo ninguna circunstancia SOUNDBOKS, sus empleados, filiales, su junta directiva, cualquiera de los propietarios de la empresa o sus proveedores externos se responsabilizan por daños directos, indirectos, especiales, aleatorios o consecuentes (incluidos, entre otros, pérdidas financieras, daños personales y pérdidas de bienes y propiedades), ya sea que se basen en un contrato, agravio o cualquier otra teoría legal, en virtud del presente, entre otros, daños directos, indirectos, especiales, aleatorios o consecuentes causados por el uso descuidado, incorrecto e imprudente del producto. SOUNDBOKS debe, en relación con lo anterior, destacar especialmente el hecho de que las siguientes acciones eximen a SOUNDBOKS de toda responsabilidad:

- Conexión incorrecta de las baterías y el altoparlante
- Exposición prolongada del producto de SOUNDBOKS a cualquier forma de precipitación
- Sumergir cualquier parte del producto de SOUNDBOKS en cualquier tipo de líquido
- Usar los productos de SOUNDBOKS para otros fines distintos a los que se usan habitualmente
- Usar cargadores distintos a los producidos y entregados por SOUNDBOKS
- Usar baterías distintas a las producidas y entregadas por SOUNDBOKS
- Modificar, reconstruir o reutilizar sin autorización cualquier parte de cualquier producto de SOUNDBOKS, con la excepción de la extracción y personalización de la rejilla de SOUNDBOKS con la herramienta provista.

## 6. CUMPLIMIENTO DE NORMATIVAS

ES

78

### UE

#### CE

Por el presente documento, SOUNDBOKS ApS, el fabricante de SOUNDBOKS (Gen. 4), declara que este SOUNDBOKS (Gen. 4) cumple con los requisitos esenciales y otras disposiciones relevantes de las siguientes directivas de la UE:

Directiva de equipos de radio 2014/53/UE

Compatibilidad electromagnética 2014/30/UE

Directiva de baja tensión 2014/35/UE

Directiva de ecodiseño 2009/125/CE y  
Reglamento (UE) 2017/1369

Directiva RoHS 2011/65/UE con Directiva  
2015/863/UE

Reglamento REACH SVHC (CE) n.º 1907/2006

Directiva de RAEE 2012/19/UE

Este producto contiene baterías cubiertas por la Directiva europea sobre baterías 2006/66/CE, modificada por la Directiva 2013/56, que dispone que no se pueden desechar con la basura doméstica normal. Siga las normas locales.

Puede obtener una copia gratuita de la Declaración de conformidad poniéndose en contacto con SOUNDBOKS ApS

### ESTADOS UNIDOS

#### Importador:

SOUNDBOKS INC  
1968 S. Coast Hwy #2510  
Laguna Beach CA 92651 USA

Este dispositivo cumple con la parte 15 de las Normas de la FCC. El funcionamiento está sujeto a las siguientes dos condiciones:

- Este dispositivo no puede interferir perjudicialmente, y
- Este dispositivo debe aceptar cualquier interferencia recibida, incluida la que

pueda provocar un funcionamiento no deseado.

Este equipo ha sido probado y se ha determinado que cumple con las condiciones para ser clasificado como dispositivo digital de Clase B, de conformidad con la parte 15 de las Reglas de la FCC. Estos límites están diseñados para brindar una protección razonable contra interferencias dañinas en una instalación residencial.

Este equipo genera, usa y puede irradiar energía de radiofrecuencia y, si no se instala y usa de acuerdo con las instrucciones, puede interferir perjudicialmente en las comunicaciones por radio. Sin embargo, no hay garantía de que no se produzcan interferencias en una instalación concreta.

Si este equipo causase interferencias dañinas en la recepción de radio o televisión, algo que se puede determinar apagando y encendiendo el equipo, se recomienda al usuario que intente tome algunas de las siguientes medidas para corregir la interferencia:

- Reorientar o reubicar la antena receptora.
- Aumentar la separación entre el equipo y el receptor.
- Conectar el equipo a una toma de un circuito diferente al que está conectado el receptor.
- Consulte al distribuidor o a un técnico experimentado en radio/TV para obtener ayuda.

### **PRECAUCIÓN:**

Cualquier cambio o modificación no aprobada expresamente por el concesionario de este dispositivo podría anular la autoridad del usuario para utilizar el equipo.

### **Advertencia de exposición a RF**

Este equipo debe instalarse y utilizarse de acuerdo con las instrucciones provistas; las antenas utilizadas para este transmisor deben instalarse de modo que se deje una distancia

de separación de al menos 20 cm de todas las personas, y no deben ubicarse ni utilizarse en conjunto con cualquier otra antena o transmisor.

Los usuarios finales y los instaladores deben proporcionar las instrucciones de instalación de la antena y las condiciones de funcionamiento del transmisor para satisfacer el cumplimiento de las disposiciones sobre la exposición a RF.

## **CANADÁ**

### **Declaración del Departamento de Industria de Canadá**

Este dispositivo contiene transmisores/receptores exentos de licencia que cumplen con las normas RSS para productos exentos de licencia del departamento de Innovación, Ciencia y Desarrollo Económico de Canadá. El funcionamiento está sujeto a las siguientes dos condiciones:

1. Este dispositivo no puede causar interferencias,
2. Este dispositivo debe aceptar cualquier interferencia recibida, incluida la que pueda provocar un uso no deseado.

### **Información sobre exposición a radiofrecuencia (RF)**

La potencia de salida radiada del dispositivo inalámbrico está por debajo de los límites de exposición a radiofrecuencia de Innovation, Science and Economic Development Canada (ISED). El dispositivo inalámbrico debe usarse de tal manera que se minimice la posibilidad de contacto humano durante el funcionamiento normal. Este dispositivo también ha sido evaluado y se ha demostrado que cumple con los límites de exposición a radiofrecuencia móvil de ISED (las antenas están a más de 20 cm del cuerpo de una persona).

## 7. ADVERTENCIA, PRECAUCIÓN Y AVISO

### WARNING

ADVERTENCIA indica una situación peligrosa que, si no se evita, podría provocar la muerte o lesiones graves.

### CAUTION

PRECAUCIÓN indica una situación peligrosa que, si no se evita, podría provocar lesiones leves o moderadas.

### NOTICE

AVISO se utiliza para abordar prácticas no relacionadas con lesiones personales.

### WARNING

#### ALTOPARLANTE

- Este altoparlante es extremadamente ruidoso. Tenga cuidado al estar frente o cerca del altoparlante, ya que puede causar daños auditivos.
- Si nota algún indicio de daños, como plástico derretido, temperaturas anormalmente altas o olores provenientes del altoparlante, apague el producto, y inmediatamente póngase en contacto con SOUNDBOKS en [info@SOUNDBOKS.com](mailto:info@SOUNDBOKS.com).
- Si el dispositivo emite humo, huele a quemado, o produce sonidos extraños debe usted desenchufarlo inmediatamente de la red eléctrica o de la batería y no lo vuelva a utilizar, e SOUNDBOKS póngase en contacto con SOUNDBOKS en [info@SOUNDBOKS.com](mailto:info@SOUNDBOKS.com).
- Una base inestable puede hacer que la unidad se vuelque y lesione o incluso mate a una persona; los niños están particularmente en riesgo. Puede prevenir un gran número de accidentes tomando las siguientes precauciones:
  - Colocar siempre sobre una superficie estable. No colocar el altoparlante de SOUNDBOKS donde



pueda caerse y lastimar a alguien.

- Si el altoparlante de SOUNDBOKS no se instala de forma segura, no lo utilice en vehículos, en lugares inestables, sobre trípodes o muebles inestables, o con soportes insuficientes, etc.
- Coloque el altoparlante de SOUNDBOKS de manera que no pueda volcarse por descuido y asegúrese de que los cables no supongan un peligro de tropiezo.
- Cuando guarde el altoparlante de SOUNDBOKS, asegúrese también de que esté colocado de forma segura y de que no pueda caerse ni volcarse.

## **CARGADOR**

- Lea el capítulo de instrucciones del cargador y el cable de CA antes de usarlo.
- Para evitar el riesgo de descargas eléctricas o daños al producto, utilice siempre el altoparlante de SOUNDBOKS con el cargador homologado, como el que se proporciona con la unidad.
- Nunca transporte el cargador tirando del cable.
- El cable de alimentación y el cargador solo deben usarse en interiores.
- Utilice únicamente un cargador oficial de SOUNDBOKS.
- Nunca conecte el cargador directamente al altoparlante sin la batería conectada.

## **BATERÍA**

- Lea el capítulo de instrucciones de la batería antes de usarla.
- La manipulación inadecuada de las baterías recargables puede provocar un incendio o una explosión.
- Mantenga la batería recargable alejada de clips, monedas, llaves, tornillos o otros

objetos metálicos que puedan puentear los contactos. El cortocircuito provocado por un puente entre los contactos de la batería recargable puede provocar quemaduras o incendios.

- Utilice únicamente baterías oficiales de SOUNDBOKS.
- El uso de baterías de automóvil o baterías no oficiales puede provocar situaciones peligrosas, incluidos riesgos de incendio o explosión.
- Si se usa incorrectamente, puede filtrarse el ácido corrosivo de la batería recargable; en este caso, evite cualquier contacto con ella. En caso de contacto accidental, enjuague la zona inmediatamente con abundante agua y acuda al médico.
- Nunca transporte la batería recargable tirando del cable.
- Evite golpes y tensiones bruscas.
- Existe riesgo de incendio o explosión si la batería se reemplaza por una incorrecta.
- Al desechar una batería en el fuego o en un horno caliente, o al aplastarla o cortarla mecánicamente, puede provocarse una explosión.
- Dejar una batería en un ambiente cuya temperatura sea extremadamente alta puede provocar una explosión o la fuga de líquido o gas inflamable.
- Una batería sujeta a una presión de aire extremadamente baja puede provocar una explosión o la fuga de líquido o gas inflamable.

## **GENERAL**

- Nunca deje que los niños usen dispositivos eléctricos sin supervisión.
- Nunca abra la carcasa del dispositivo. Solo un taller especializado autorizado puede realizar reparaciones. En el proceso, solo se pueden utilizar piezas que se correspondan con los datos del

dispositivo original.

- Utilice únicamente los accesorios especificados por el fabricante.
- En caso de entrar agua o otros desechos en la carcasa, desconecte inmediatamente el enchufe principal y retire la batería recargable. Tras ello, póngase en contacto con SOUNDBOKS en [info@SOUNDBOKS.com](mailto:info@SOUNDBOKS.com).
- Nunca modifique ninguna parte del dispositivo. Las intervenciones no autorizadas pueden afectar a la seguridad, la funcionalidad y la garantía. Solo se permite modificar la rejilla delantera.
- Este dispositivo y sus accesorios pueden exponerlo a usted a productos químicos, incluido el plomo, que el estado de California reconoce como causante de cáncer, anomalías congénitas o otros problemas reproductivos.

### CAUTION

La escucha prolongada a un volumen alto puede provocar pérdida de audición. Para evitar daños a la salud, evite escuchar durante mucho tiempo a un volumen alto.

### NOTICE

- Este dispositivo funciona en las siguientes bandas de frecuencia (para BT, BLE y 2.4G); 2402~2480 MHz. La potencia máxima de radiofrecuencia transmitida es 8,4 dBm
- El mal uso y el cuidado incorrecto son las principales causas de daños en las baterías recargables de alto rendimiento.
- Evite que el nivel de carga de la batería caiga por debajo del 20 % para optimizar la potencia.
- Recargue su batería recargable con frecuencia.
- Almacene su batería recargable en una zona fresca pero libre de heladas, idealmente a 15 °C (59 °F). Cuanto mayor

sea la temperatura, mayor será la tasa de autodescarga y menos tiempo transcurrirá entre cargas.

- No exponga la batería recargable a la luz solar directa ni a otras fuentes de calor.
- La descarga profunda daña las celdas de la batería recargable. La causa más frecuente de descarga profunda es el almacenamiento prolongado o la falta de uso de una batería recargable parcialmente descargada. Guarde la batería recargable solo cuando esté completamente cargada.
- Si el SOUNDBOKS se somete a temperaturas cálidas después de haber estado sometido a frío (p. ej., después del transporte), puede producirse condensación en su interior. En este caso, espere al menos dos horas antes de conectar y activar el SOUNDBOKS.
- No coloque ningún elemento con llamas desprotegidas, como velas o artículos semejantes, sobre el SOUNDBOKS.
- No coloque el SOUNDBOKS cerca de fuentes de calor (por ejemplo, radiadores o hornos).
- Ventile suficientemente.
- No cubra el dispositivo con cortinas, mantas, carteles o elementos similares. La acumulación de calor dentro de cualquier producto de SOUNDBOKS puede acortar su vida útil.
- Si el SOUNDBOKS va a estar desatendido durante un período prolongado (por ejemplo, cuando está de vacaciones), apague y desconecte la unidad. Coloque su SOUNDBOKS en un lugar limpio, seco y protegido.
- Evite la carga o descarga electrostática. No use paños o esponjas sintéticas para limpiar ninguna parte del dispositivo; en su lugar, utilice solo paños humedecidos con agua sin aditivos.

## 8. USO PREVISTO

Este producto es un altoparlante diseñado para reproducir música y sonido en conexión con un dispositivo de música, como un teléfono inteligente, una tableta o otros aparatos compatibles. Este producto no debe utilizarse para ningún otro propósito. Cualquier otro uso se considera inadecuado y puede provocar lesiones personales o daños materiales. No se asumirá ninguna responsabilidad por los daños resultantes de un uso inadecuado.

## 9. INFORMACIÓN SOBRE EL DESECHO



Este producto contiene baterías y componentes electrónicos reciclables. Para proteger el medio ambiente, no lo deseche con los residuos domésticos generales; en su lugar, llévelo a un punto de recogida local apropiado.

Es posible reciclar el material de embalaje del SOUNDBOKS; recomendamos separar las piezas que están marcadas con símbolos de reciclaje al tirarlas a la basura.

## 10. MARQUAGE



La marca comercial y los logotipos de Bluetooth® son marcas comerciales registradas propiedad de Bluetooth SIG, Inc. y su uso se realiza bajo licencia.

iPhone® es una marca registrada de Apple, Inc.

Android™ es una marca registrada de Google, Inc.



La insignia de compatibilidad con SKAA que se encuentra en el producto certifica que este producto ha sido probado y cumple totalmente con todos los requisitos del SKAA Standard y se le ha otorgado la SKAA Certification. Este producto funciona a la perfección con otros productos dentro del ecosistema de dispositivos de transmisión y recepción de audio de SKAA. Para obtener más información sobre el SKAA Standard, visita [www.SKAA.com](http://www.SKAA.com). El nombre SKAA®, así como sus marcas, logotipos e iconos asociados, son marcas comerciales o marcas comerciales registradas de Eleven Engineering Incorporated.

# 11. OBSERVACIONES FINALES

Esperamos que lo pase genial con su producto de SOUNDBOKS. No dude en hacernos llegar cualquier pregunta, idea o sugerencia. ¡Nos encantaría hablar con usted!

Escríbanos a [info@SOUNDBOKS.com](mailto:info@SOUNDBOKS.com)

## **Dirección comercial en EE. UU.:**

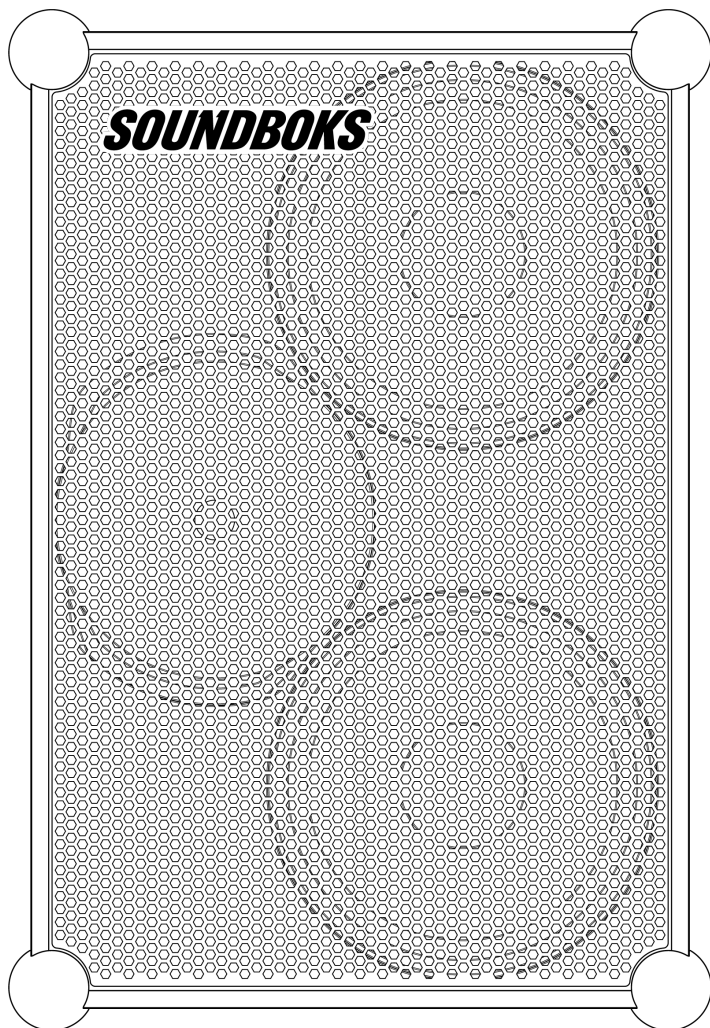
SOUNDBOKS Inc.  
1968 S. Coast Hwy #2510  
Laguna Beach CA 92651  
Estados Unidos de América

## **Para el resto del mundo:**

SOUNDBOKS ApS  
CVR: 36457597  
Esromgade 15, 1107  
2200 Copenhagen N  
Dinamarca

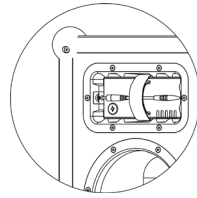
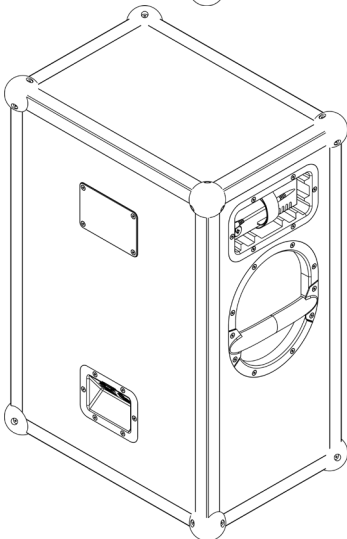
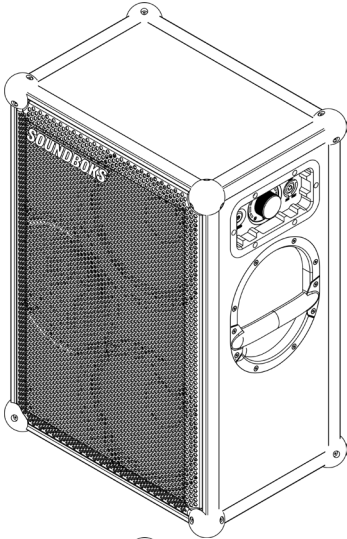
***SOUNDBOKS***

# **SOUNDBOKS (GEN. 4) BENUTZERHANDBUCH**

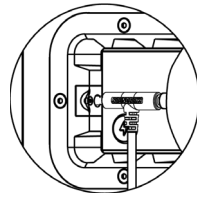


# DIE NÄCHSTE GENERATION DER SOUNDBOKS

Nutze die volle Kraft von Sound, Design und Bluetooth-Leistung auf einem neuen Level. Das ist SOUNDBOKS (Gen. 4).

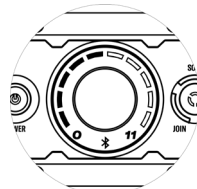


- 01** Lade deine BATTERYBOKS für eine optimale Leistung vollständig auf (ca. 3,5 Stunden).
- 02** Schiebe deine BATTERYBOKS nach dem Aufladen (ohne Gewalt) in das Akkufach, bis sie fest sitzt. Stecke dann den DC-Stecker ein.



**!** Schließe das Ladegerät niemals direkt an den Lautsprecher an, ohne den Akku einzusetzen. Dein Ladegerät ist kein Netzteil.

- 03** Das Ladegerät ist kein Netzteil. Die SOUNDBOKS ist nur für den Batteriebetrieb ausgelegt. Die T-Buchse des Ladegeräts sollte nur während der Wiedergabe mit moderater Lautstärke zusammen mit dem Akku verwendet werden. Halte deine SOUNDBOKS unter der halben Lautstärke – 12 Uhr auf dem Ziffernblatt mit 5 leuchtenden Leuchten, wenn du gleichzeitig spielst und auflädst.



- 04** Schalte den Lautsprecher ein, indem du die Power-Taste drückst. Wenn die um den Lautstärkeregler angeordneten LEDs aufleuchten, kannst du eine Verbindung herstellen.
- 05** Um eine Verbindung herzustellen, gehe zu den Bluetooth-Einstellungen deines Geräts, suche nach SOUNDBOKS #YourTeamID und wähle es aus. Deine eindeutige Team-ID befindet sich auf der Rückseite des Lautsprechers.
- 06** Wähle deinen Lieblingssong, dreh auf, geh raus, und dann heißt es: Break Through the Noise.



**Fragen?**  
Hier findest du schnelle Antworten.

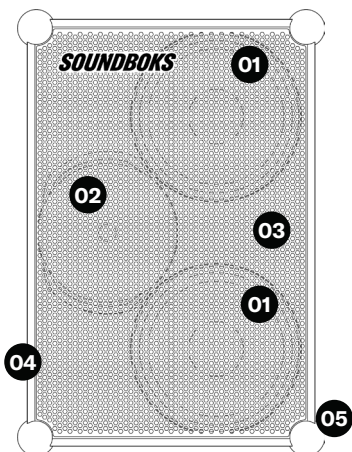


<b>1. SOUNDBOKS (GEN. 4)</b>	<b>90</b>
1.1 Übersicht	
1.2 Spezifikationen	
1.3 LED-Verhalten	
1.4 Anpassung	
1.5 SKAA & Bond-Taste	
<b>2. BATTERYBOKS &amp; LADEGERÄT</b>	<b>100</b>
2.1 Übersicht	
2.2 Laden der BATTERYBOKS	
<b>3. GEWÄHRLEISTUNG &amp; SERVICE</b>	<b>102</b>
<b>4. HAFTUNGSBESCHRÄNKUNG</b>	<b>104</b>
<b>5. HAFTUNGSAUSSCHLUSS</b>	<b>105</b>
<b>6. REGELKONFORMITÄT</b>	<b>106</b>
<b>7. WARNUNG, VORSICHT UND HINWEIS</b>	<b>109</b>
<b>8. VERWENDUNGSZWECK</b>	<b>113</b>
<b>9. ENTSORGUNGSINFORMATIONEN</b>	<b>114</b>
<b>10. MARKIERUNGEN</b>	<b>115</b>
<b>11. ABSCHLIESSENDE BEMERKUNGEN</b>	<b>116</b>

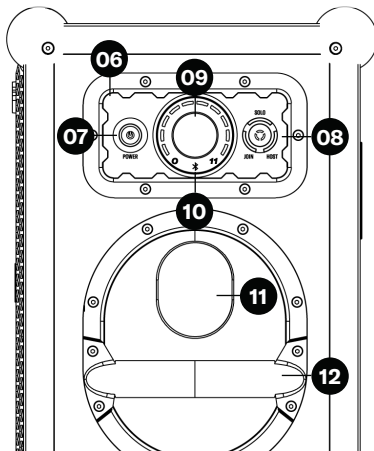
# 1. SOUNDBOKS (GEN. 4)

## 1.1 Übersicht

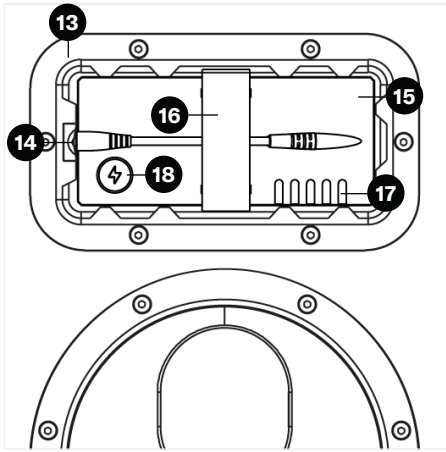
- 1.2 Spezifikationen
- 1.3 LED-Verhalten
- 1.4 Anpassung
- 1.5 SKAA & Bond-Taste



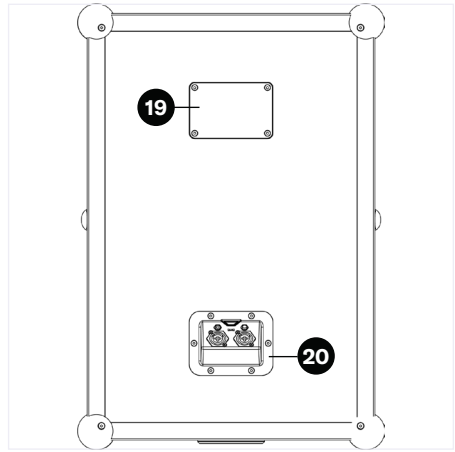
- 01 Basstreiber
- 02 Tweeter
- 03 Einrast-Grill
- 04 Pulverbeschichtete Aluminiumwinkel
- 05 Kugelecken aus Silikonkautschuk



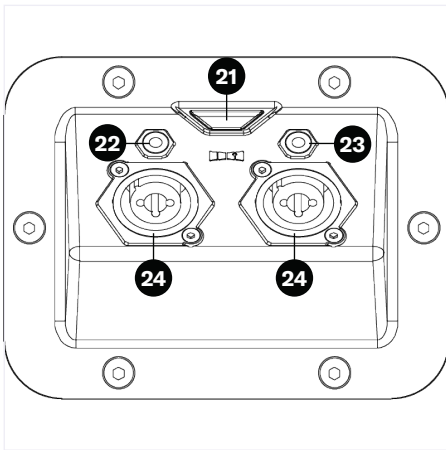
- 06 Bedienfeld
- 07 POWER-Taste
- 08 TeamUP-Taste (SOLO/HOST/JOIN)
- 09 LAUTSTÄRKE-Knopf
- 10 Bluetooth-LED-Anzeige
- 11 Pulsreflex-Anschluss
- 12 Pulverbeschichteter Stahlgriff



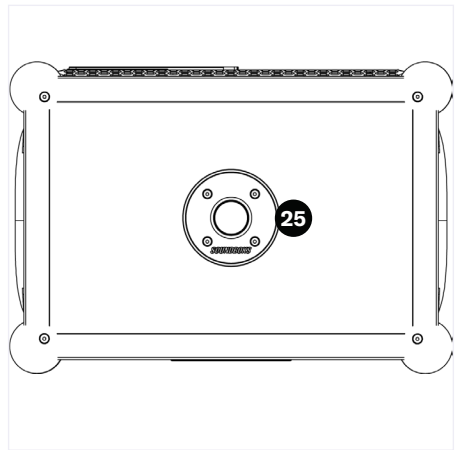
- 13** Akkuanschluss
- 14** DC-Eingang
- 15** BATTERYBOXS
- 16** Riemen
- 17** LED-Akkustandanzeige
- 18** Akkustand-Statustaste



- 19** Eindeutige SOUNDBOKS (Gen. 4) Team-ID
- 20** Pro-Panel



- 21** SKAA Bond-Taste und LED-Anzeige
- 22** 3,5-mm-Stereoeingang (1/8").
- 23** 3,5-mm-Stereoausgang (1/8").
- 24** Kombo-Eingänge für Mikrofone und Instrumente (XLR, 6,35 mm).



- 25** Stangenhalterung

# 1. SOUNDBOKS (GEN. 4)

1.1 Übersicht

**1.2 Spezifikationen**

1.3 LED-Verhalten

1.4 Anpassung

1.5 SKAA & Bond-Taste

## KLANG

### Verstärker

Merus Audio eximo® Verstärker IC  
3 × 72 W RMS-Klasse-D-Verstärker  
Moderne Bass-DSP

### Treibereinheiten

2 × 10“-Tieftöner  
1 × 1“-Kompressionstreiber-Hochtöner

### Akustik

Effektiver Frequenzbereich: 40Hz - 20kHz  
Benutzerdefiniertes Klangprofil mit  
Bassverstärker  
Benutzerdefinierter Pulsreflex-Anschluss

### Konnektivität

Bluetooth 5.0  
Kabellose TeamUp-Verbindung mit bis zu 5  
SKAA-kompatiblen SOUNDBOKS-Produkten

### Kompatibilität

Kompatibel mit iPhone® und Android™

### Pro Panel

2 × Kombi-Mikrofon-/Instrumenteneingänge  
(XLR, 1/4")  
1 × 3,5-mm-Stereoingang (1/8 ")  
1 × 3,5-mm-Stereoausgang (1/8 ").  
SKAA Bond-Taste



## AUFBAU

### Abmessungen

66 × 43 × 32 cm (25,6 × 17 × 13 " (H × B × T))

## Gewicht

16,1 kg

## Materialien

Kabinett aus Pappel-Sperrholz  
Pulverbeschichteter Aluminiumrahmen  
Griffe aus pulverbeschichtetem Stahl  
Pulverbeschichteter oder nasslackierter (je nach Farbvariante) Stahlgrill  
Kugelecken aus Silikon

## Eigenschaften

Austauschbarer Grill und Akkus  
Pulsreflex-Anschluss  
1 x Ø35mm Stangenhalterung  
Bedienfeld:

Lautstärkeregelung  
HOST/JOIN-Modus für drahtloses  
TeamUP

## Temperatur

Allgemeine Verwendung: -20 °C bis 55 °C  
Empfohlene Lagerung: 5 °C bis 20 °C für eine optimale Produktlebensdauer

## AKKU

### Design

5-stufige LED-Akkustandsanzeige  
Verstärkter DC-Anschluss

### Zelltyp

Li-Ionen-Akku  
Lithiumeisenphosphat (LiFePO4)

## Performances de la batterie

Ausgang: 12,8 V  $\text{---}$   
Entladetemperatur -20 °C bis 55 °C (-4 °F bis 131 °F)

Ladetemperatur 0 °C bis 40 °C (32 °F bis 104 °F)

Kapazität: 99,84 Wh oder 7,8 Ah



## Akkulaufzeit

40 Stunden bei mittlerer Lautstärke  
5 Stunden bei voller Lautstärke  
3,5 Stunden bis zur vollständigen Aufladung

## Battery Management System (BMS)

Über- und Unterentladungsschutz  
Kurzschlusschutz  
Überhitzungsschutz  
Zellspannungsmanagement  
Der Schlafmodus startet nach 14 Tagen Inaktivität. Taste ⚡ drücken zum Aufwecken.

## Transport

Der Akku ist sicherheitszertifiziert für den sicheren Transport gemäß UN38.3

## LADEGERÄT

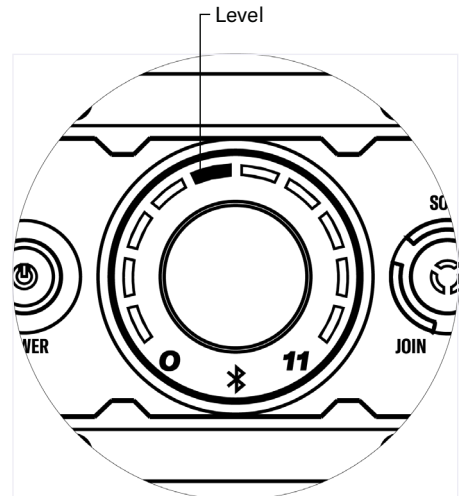
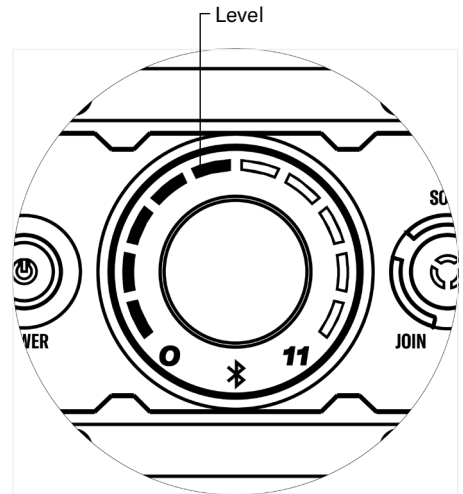
### Leistung des Ladegeräts

Eingang: 100-240 V ~ 50-60 Hz, 1,2 A MAX  
Ausgang: 14.0V  $\text{---}$  3.3A

# 1. SOUNDBOKS (GEN. 4)

- 1.1 Übersicht
- 1.2 Spezifikationen
- 1.3 LED-Verhalten**
- 1.4 Anpassung
- 1.5 SKAA & Bond-Taste

Deine SOUNDBOKS (Gen. 4) spart Strom, indem sie die nachlaufenden LEDs nach 10 Sekunden konstanter Lautstärke deaktiviert.



# 1. SOUNDBOKS (GEN. 4)

1.1

1.2

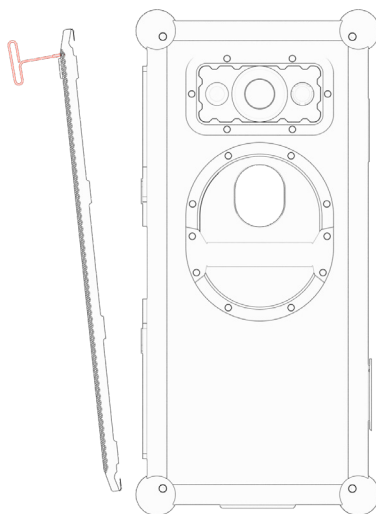
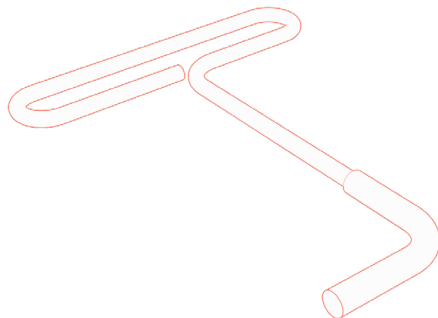
1.3

## 1.4 Anpassung

1.5 SKAA & Bond-Taste

Der neueste SOUNDBOKS-Grill ist für eine einfache Anpassung ausgelegt – du brauchst nichts weiter zu tun als den Grill abzunehmen, das Logo zu entfernen und an dein kreatives Selbst zu glauben – und schon kannst du deine neue SOUNDBOKS in ein Kunstwerk verwandeln.

Hier ist eine Schritt-für-Schritt-Anleitung für die Anpassung.



### Grill entfernen

Der Grill der SOUNDBOKS (Gen. 4) wird mit einem Schnappverschluss am Lautsprecher befestigt und kann mit dem mitgelieferten Grill Entfernungswerkzeug entfernt werden. Dieses Werkzeug besteht aus einem Griff und

einer gummierten Spitze.

Um den Grill zu entfernen, verwende die gummierte Spitze, die in die Löcher des Grills eingehakt wird. Am einfachsten ist es, an den Ecken des Grills zu ziehen. Beginne vorsichtig, den Grill vom Lautsprecher abzuziehen. Lockere den Grill gleichmäßig an mehreren Stellen entlang der Kanten, bis er sich löst und von Hand entfernt werden kann.

### **Entferne das SOUNDBOKS-Logo**

Halte das Logo sauber. Schraube das Logo ab und lege es an einen sicheren Ort.

### **Verwirkliche dich selbst**

Mach dir die SOUNDBOKS zu eigen. Der Grill eignet sich für die meisten Arten von Lack – trage aber vorher eine Schicht Grundierung und danach Versiegelung auf, damit er lange hält.

### **Party, Party**

Bringe das Logo und den Grill wieder an. Verbinde deine Musik, drehe sie auf und nimm deine individuelle SOUNDBOKS mit in die Welt.



# 1. SOUNDBOKS (GEN. 4)

- 1.1 Übersicht
- 1.2 Spezifikationen
- 1.3 LED-Verhalten
- 1.4 Anpassung
- 1.5 SKAA & Bond-Taste**

Dies ist das offizielle BENUTZERHANDBUCH für den SKAA-EMPFÄNGER. Es beschreibt detailliert die Bedienung und Fehlerbehebung der Bond-Taste, die sich auf der Rückseite deiner SOUNDBOKS (Gen. 4) auf dem Pro Panel befindet. Die Bond-Taste ist die Steuertaste für den JOIN-Modus durch die

Wireless-Daisy-Chaining-Funktion, TeamUP. Jeder SKAA®-Empfänger hat eine Green List, auf der deine Lieblingssender gespeichert sind. Eine grüne Anzeige auf deinem Empfänger bedeutet, dass du einen Favoriten hörst oder nach einem suchst. Dein Empfänger kann auch nach neuen Sendern suchen – eine gelbe Anzeige bedeutet, dass du nach Sendern suchst, die nicht auf deiner Green List stehen. Ein Cluster ist ein Produkt mit zwei oder mehr Teilen, die sich wie eins verhalten. Mit der Bond-Taste kannst du auswählen, welchen Sender du hören willst. Auf der Bond-Taste befindet sich das Logo mit zwei Pfeilen.



Die Plakette „SKAA-kompatibel“ bescheinigt, dass das Produkt getestet wurde, alle Anforderungen des SKAA-Standards vollständig erfüllt und die SKAA-Zertifizierung erhalten hat. Dieses Produkt funktioniert nahtlos mit anderen Produkten des SKAA-Ökosystems von Audioübertragungs- und -empfangsgeräten. Weitere Informationen zum SKAA-Standard findest du unter [www.SKAA.com](http://www.SKAA.com). Der Name SKAA® sowie die mit ihm verbundenen Marken, Logos und Symbole sind Warenzeichen oder eingetragene Warenzeichen von Eleven Engineering Incorporated.

Bond-Taste	Befehl	Anzeige	Bedeutung
Einige Sekunden halten	<b>Hinzufügen/ Löschen</b> Den aktuellen Sender manuell zu/von deiner Green List hinzufügen/ löschen.	● bis ● ● Blitz	Hinzugefügt Gelöscht
Einige Sekunden halten	<b>Auto Add</b> SKAA fügt automatisch den aktuellen Amber-Sender zu deiner Green List hinzu, wenn du ihn 30 Minuten lang hörst	● bis ●	Hinzugefügt
1 Klick	<b>Grüner Modus</b> Folge dem Kreis der Liste der bevorzugten Sender (Green List) – Wenn ein Liebblingssender gefunden wurde, stoppt die Suche und das Audio wird von diesem Sender abgespielt.	● dim ● Blitz ● hell	Suche Nächstes Verbunden
2 Klicks	<b>Amber-Modus</b> Suche nach neuen, unbekanntem Sendern (solche, die nicht bereits auf deiner Green List sind).	● Abm. ● hell	Suche Verbunden
3 Klicks	<b>Stumm</b> erneut drücken, um die Stummschaltung aufzuheben; jeder Klick-Befehl hebt zuerst die Stummschaltung auf und führt dann seine Funktion aus	●, ● or ● langsameres Blinken	Stumm -geschaltet
4 Klicks	<b>Roter Modus</b> Wenn du 2 oder mehr Sender auf deiner Green List hast, schalte nur den Sender ein, den du hörst willst, und er wird automatisch abgespielt	● Abm. ● hell	Suche Verbunden
6 Klicks	<b>Zurücksetzen auf Werkseinstellungen</b> Green List löschen. Neu beginnen!	● Blitz	Zurücksetzen erledigt
Beim Einschalten halten	<ol style="list-style-type: none"> <li>1. Stelle die JOIN-Lautsprecher, die zu dem Cluster hinzugefügt werden sollen, innerhalb von 3 Metern vom JOIN-Hauptlautsprecher auf.</li> <li>2. Schalte den HOST-Lautsprecher aus.</li> <li>3. Schalte alle JOIN-Lautsprecher ein, die zu dem Cluster hinzugefügt werden sollen, aber lasse den JOIN-Hauptlautsprecher ausgeschaltet.</li> <li>4. Halte am JOIN-Hauptlautsprecher die Bond-Taste gedrückt, bevor du die Power-Taste drückst – halte beide gedrückt und warte, bis die LED rot zu blinken beginnt – lasse zuerst die Power-Taste los, dann die Bond-Taste. Der JOIN-Hauptlautsprecher blinkt nun rot. Alle</li> </ol>	● Blitz   ● hell	Der Empfänger ist jetzt in den Cluster-Up-Modus gewechselt.  Der Cluster wurde erfolgreich gebildet

anderen LEDs am JOIN-Hauptlautsprecher erlöschen.

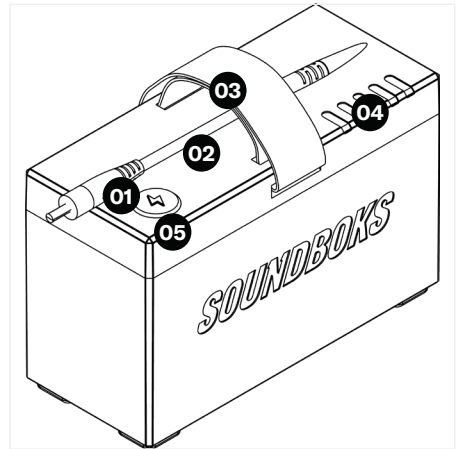
5. Während die LED am JOIN-Hauptlautsprecher rot blinkt, drücke die Connect-Taste, bis JOIN auf allen JOIN-Lautsprechern ausgewählt ist, die du zu dem Cluster hinzufügen möchtest. Für diesen Schritt hast du nur 10 Sekunden Zeit.
6. Wenn alle JOIN-Lautsprecher in den Cluster aufgenommen sind, leuchtet ihre LED dauerhaft ROT.
7. Sobald alle JOIN-LEDs des Clusters durchgehend rot leuchten, schalte alle JOIN-Lautsprecher aus.
8. Schalte den HOST-Lautsprecher ein und versetze ihn in den HOST-Modus, indem du auf die Verbinden-Taste klickst. Schließe BT-Audio oder AUX an, um Musik auf dem HOST-Lautsprecher wiederzugeben.
9. Schalte die JOIN-Lautsprecher im Cluster ein und versetze sie in den JOIN-Modus. Alle Lautsprecher spielen jetzt Musik vom HOST. Die Lautstärke aller JOIN-Lautsprecher kann von jedem der JOIN-Lautsprecher im Cluster gesteuert werden, die 3-Klick-Funktion der BOND-Taste wird auch vom Cluster geteilt, um alle JOIN-Lautsprecher stummzuschalten.

Die Bond-Taste am JOIN-Hauptlautsprecher hat die gleiche Klickfunktion wie oben beschrieben. Die Lautstärke des HOST-Lautsprechers ist selbststeuernd und vom Cluster isoliert. Um den Cluster-Modus auf einem Gerät abbrechen, wiederhole Schritt 4. Warte auf durchgehendes Rot, dann klicke 6x auf die Bond-Taste

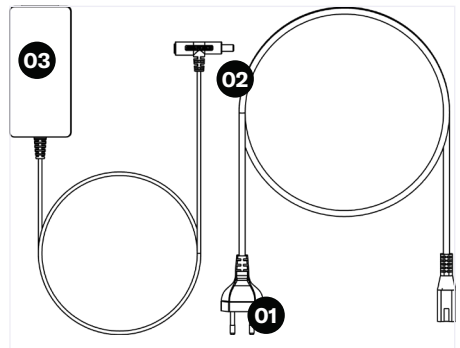
## 2. BATTERYBOKS & LADEGERÄT

### 2.1 Übersicht

#### 2.2 Laden Der BATTERYBOKS



- 01 Akku DC-Stecker
- 02 DC-Kabel
- 03 Tragegurt
- 04 LED-Akkustandanzeige
- 05 Akkustand-Statustaste



Regionalstecker nur als Referenz

- 01 Stromversorgungskabel
- 02 Akku DC-Eingang
- 03 Ladegerät DC-Stecker

## 2. BATTERYBOKS & LADEGERÄT

### 2.1 Übersicht

#### 2.2 Laden der BATTERYBOKS

Denke daran, das Kabel des Akkus zu entfernen, sobald er vollständig aufgeladen ist. Lasse ihn niemals länger als 6 Stunden am Stück laden, da er ansonsten Schaden nehmen könnte. Hier sind die zwei Möglichkeiten, deine BATTERYBOKS aufzuladen:

#### **Akku außerhalb der SOUNDBOKS laden (Gen. 4)**

Stecke den DC-Stecker der BATTERYBOKS in den DC-Eingang des Ladegeräts und das Netzkabel des Ladegeräts in die nächste Steckdose.

#### **Lade den Akku auf, während er sich in der SOUNDBOKS (Gen. 4) befindet**

Das Ladegerät ist kein Netzteil. Die SOUNDBOKS ist nur für den Batteriebetrieb ausgelegt. Die T-Buchse des Ladegeräts sollte nur während der Wiedergabe mit moderater Lautstärke zusammen mit dem Akku verwendet werden. Halte deine SOUNDBOKS unter der halben Lautstärke – 12 Uhr auf dem Ziffernblatt mit 5 leuchtenden LEDs, wenn du gleichzeitig spielst und auflädst.

#### **WICHTIG**

Verwende die SOUNDBOKS (Gen. 4) niemals ohne BATTERYBOKS. Schließe das Ladegerät nicht direkt an die SOUNDBOKS (Gen. 4) an.

Verwende nur ein offizielles Ladegerät und einen Akku von SOUNDBOKS oder einem anderen zugelassenen Händler. Alle offiziellen SOUNDBOKS Ladegeräte und Akkus tragen auf der Rückseite das SOUNDBOKS Logo.

### 3. GEWÄHRLEISTUNG UND SERVICE

SOUNDBOKS GEWÄHRLEISTET („EINGESCHRÄNKTE GEWÄHRLEISTUNG“), DASS DAS SOUNDBOKS-PRODUKT ZUM ZEITPUNKT DES URSPRÜNGLICHEN KAUFES DURCH DEN ENDBENUTZER (DER „KUNDE“ ODER „DU“) FREI VON MATERIAL- UND VERARBEITUNGSFEHLERN IST. DIESE BESCHRÄNKTE GEWÄHRLEISTUNG DECKT NUR DIE FUNKTIONALITÄT DES SOUNDBOKS-PRODUKTS FÜR SEINEN NORMAL VORGESEHENEN GEBRAUCH IN EINER UMGEBUNG WIE UNTEN BESCHRIEBEN AB UND ERSTRECKT SICH NICHT AUF FEHLFUNKTIONEN, DIE SICH AUS UNSACHGEMÄSSER ODER UNANGEMESSENER VERWENDUNG ODER WARTUNG, WIE WEITER IN ABSCHNITT 4 AUSGEFÜHRT, ERGEBEN, SOWIE NICHT AUTORISIERTE REPARATUREN, NORMALEN VERSCHLEISS ODER ÄUSSERE URSACHEN WIE UNFÄLLE, MISSBRÄUCLICHE VERWENDUNG ODER ANDERE HANDLUNGEN ODER EREIGNISSE AUSSERHALB UNSERER ANGEMESSENEN KONTROLLE.

Diese eingeschränkte Gewährleistung wird Kunden gewährt, die ein neues SOUNDBOKS-Produkt direkt bei SOUNDBOKS kaufen. Diese eingeschränkte Gewährleistung kann nicht an nachfolgende Käufer oder Benutzer abgetreten oder übertragen werden. Jedes SOUNDBOKS-Produkt, das bei einem autorisierten Einzelhändler gekauft wurde, unterliegt der Gewährleistung dieses autorisierten Einzelhändlers. Die beschränkte Gewährleistung ist auf die Reparatur oder den Ersatz des SOUNDBOKS-Produkts nach Ermessen von SOUNDBOKS beschränkt, und diese Gewährleistung deckt weder die Kosten für den Transport noch für die Entfernung oder die Installation eines SOUNDBOKS-Produkts ab. Diese beschränkte Gewährleistung erstreckt sich auf ZWEI (2) JAHRE ab dem ursprünglichen Kauf des

SOUNDBOKS-Produkts. Wenn bei SOUNDBOKS während der anwendbaren Gewährleistungszeit eine gültige Mitteilung

über einen Mangel eines SOUNDBOKS-Produkts eingeht, das unter die SOUNDBOKS-

Gewährleistung fällt, ist eine Liste der abgedeckten Produkte unter SOUNDBOKS.com/help zu finden. SOUNDBOKS wird nach eigenem Ermessen

- a) innerhalb angemessener Frist nach Mitteilung über den Mangel:
- b) den Mangel kostenlos mit neuen oder generalüberholten Ersatzteilen beheben oder
- c) das Produkt ersetzen.

Die Reaktionszeit kann von Land zu Land variieren und hängt unter anderem von der Verfügbarkeit von Bauteilen, Arbeitskräften und Transportmöglichkeiten ab.

### **IM SERVICEFALL: BESUCHE SOUNDBOKS.COM/HELP**

DIESE EINGESCHRÄNKTE GEWÄHRLEISTUNG VERLEIHT DIR BESTIMMTE RECHTE, UND DU HAST MÖGLICHERWEISE AUCH ANDERE RECHTE, DIE VON STAAT ZU STAAT UNTERSCHIEDLICH SIND. WIR BESCHRÄNKEN DIE DAUER UND RECHTSMITTEL IN BEZUG AUF ALLE STILLSCHWEIGENDEN GEWÄHRLEISTUNGEN, EINSCHLIESSLICH UND UNEINGESCHRÄNKTE GEWÄHRLEISTUNGEN DER MARKTFÄHIGKEIT UND EIGNUNG FÜR EINEN BESTIMMTEN ZWECK AUF DIE DAUER DIESER AUSDRÜCKLICH BESCHRÄNKTE GEWÄHRLEISTUNG. EINIGE US-BUNDESSTAATEN LASSEN KEINE EINSCHRÄNKUNGEN DER DAUER EINER STILLSCHWEIGENDEN GEWÄHRLEISTUNG ZU, WESHALB DIE OBENSTEHENDE EINSCHRÄNKUNG MÖGLICHERWEISE NICHT FÜR DICH GILT.

DIE GESCHÄFTSBEDINGUNGEN FÜR DEN KAUF VON SOUNDBOKS-PRODUKTEN

SPEZIFIZIEREN DIE GEWÄHRLEISTUNG FÜR MÄNGEL UND KONFORMITÄT SOWIE EINE MÖGLICHE ZUSÄTZLICHE KOMMERZIELLE GEWÄHRLEISTUNG, DIE VON SOUNDBOKS GEWÄHRT WIRD. DIE GESCHÄFTSBEDINGUNGEN FÜR VERBRAUCHER (B2C) UND FÜR GEWERBLICHE KÄUFER (B2B) FINDEST DU UNTER ([www.SOUNDBOKS.com/terms](http://www.SOUNDBOKS.com/terms)). BESONDERE GESCHÄFTSBEDINGUNGEN GELTEN FÜR DEN FALL, DASS DAS PRODUKT FÜR DIE VERMIETUNG VERWENDET WIRD. DIE RECHTE AUS DEN JEWEILIGEN GEWÄHRLEISTUNGEN, IHRE BEDINGUNGEN, EINSCHRÄNKUNGEN UND RECHTSMITTEL SIND IN DIESEN GESCHÄFTSBEDINGUNGEN FESTGELEGT. WIR EMPFEHLEN, UNSERE GESCHÄFTSBEDINGUNGEN ZU LESEN. VERBRAUCHER MIT WOHNSITZ IN DER EU WERDEN DARAUF HINGEWIESEN, DASS SIE EINEN GESETZLICHEN GARANTIEANSPRUCH HABEN.

### **Inanspruchnahme von Garantieleistungen oder Geltendmachung von Garantieansprüchen:**

In Europa:

SOUNDBOKS ApS, Esromgade 15, 2200 Kopenhagen N, Dänemark; CVR-Nr. 36457597, E-Mail: [info@SOUNDBOKS.com](mailto:info@SOUNDBOKS.com).

Wende dich an den Dienstleister und befolge die von ihm angegebenen Verfahren.

In den USA und Kanada:

Kontaktiere SOUNDBOKS Inc., 1968 S. Coast Hwy #2510 Laguna Beach CA 92651, USA, E-Mail: [info@SOUNDBOKS.com](mailto:info@SOUNDBOKS.com).

Die Seriennummer deiner SOUNDBOKS (Gen. 4) findest du auf der Innenseite des Akkufachs.

## 4. HAFTUNGSBESCHRÄNKUNG

DIE OBEN BESCHRIEBENEN RECHTSMITTEL SIND DEINE EINZIGEN UND AUSSCHLIESSLICHEN RECHTSMITTEL UND STELLEN UNSERE GESAMTE HAFTUNG FÜR JEDE VERLETZUNG DIESER BESCHRÄNKTEN GEWÄHRLEISTUNG DAR. UNSERE HAFTUNG ÜBERSTEIGT UNTER KEINEN UMSTÄNDEN DEN TATSÄCHLICHEN BETRAG, DEN DU FÜR DAS DEFEKTE PRODUKT BEZAHLT HAST, UND WIR HAFTEN UNTER KEINEN UMSTÄNDEN FÜR DIREKTE ODER INDIREKTE FOLGESCHÄDEN, BEILÄUFIG ENTSTANDENE SCHÄDEN, BESONDERE SCHÄDEN ODER VERLUSTE MIT STRAFCHARAKTER. EINIGE US-BUNDESSTAATEN LASSEN DEN AUSSCHLUSS ODER DIE EINSCHRÄNKUNG VON BEILÄUFIGEN ODER FOLGESCHÄDEN NICHT ZU, SODASS DIE OBIGE EINSCHRÄNKUNG ODER DER AUSSCHLUSS MÖGLICHERWEISE NICHT AUF DICH ZUTREFFEN.



## 5. HAFTUNGSAUSSCHLUSS

Außer wie in der beschränkten Gewährleistung vorgesehen und soweit gesetzlich zulässig, können SOUNDBOKS, seine Mitarbeitenden, verbundenen Unternehmen, sein Vorstand, einige oder alle Eigentümer des Unternehmens oder seine Drittanbieter in keinem Fall und unter keinen Umständen für direkte, indirekte, besondere oder beiläufige Schäden oder Folgeschäden (einschließlich, aber nicht beschränkt auf finanzielle Verluste, persönliche Schäden und den Verlust von Vermögenswerten und Eigentum) verantwortlich gemacht werden, unabhängig davon, ob sie auf einem Vertrag, einer unerlaubten Handlung oder einer anderen Rechtstheorie beruhen, darunter, aber nicht beschränkt auf direkte, indirekte, besondere, zufällige oder Folgeschäden, die durch unvorsichtigen, falschen und unzweckmäßigen Gebrauch des Produkts verursacht wurden. SOUNDBOKS muss im Zusammenhang mit Vorstehendem besonders darauf hinweisen, dass die folgenden Handlungen SOUNDBOKS von jeglicher Verantwortung freistellen:

- Falsches Einstecken von Akkus und Lautsprecher
- Längere Einwirkung jeglicher Art von Niederschlag auf das SOUNDBOKS-Produkt
- Eintauchen jeglicher Teile des SOUNDBOKS-Produkts in Flüssigkeiten
- Verwendung von SOUNDBOKS-Produkten für andere Zwecke als die, für die sie normalerweise verwendet werden
- Verwendung anderer Ladegeräte als den von SOUNDBOKS Hergestellten und Gelieferten
- Verwendung anderer Akkus als der von SOUNDBOKS Hergestellten und Gelieferten
- Nicht genehmigte Modifizierung, Umrüstung oder Umnutzung von Teilen eines SOUNDBOKS-Produkts, mit Ausnahme des Entfernens und Anpassens des SOUNDBOKS-Grills unter Verwendung des bereitgestellten Werkzeugs

# 6. COMPLIANCE

## EU



Hiermit erklärt SOUNDBOKS ApS, der Hersteller der SOUNDBOKS (Gen. 4), dass diese SOUNDBOKS (Gen. 4) mit den grundlegenden Anforderungen und anderen relevanten Bestimmungen der folgenden EU-Richtlinien übereinstimmt:

Richtlinie 2014/53/EU über Funkanlagen

Elektromagnetische Verträglichkeit 2014/30/EU

Niederspannungsrichtlinie 2014/35/EU

Ökodesign-Richtlinie 2009/125/EG und Verordnung (EU) 2017/1369

RoHS-Richtlinie 2011/65/EU mit Richtlinie 2015/863/EU

REACH-Verordnung (SVHC) (EG) Nr. 1907/2006

WEEE-Richtlinie 2012/19/EU

Dieses Produkt enthält Akkus, die unter die europäische Batterierichtlinie 2006/66/EG, geändert durch die Richtlinie 2013/56, fallen und nicht mit dem normalen Hausmüll entsorgt werden dürfen. Bitte beachte die örtlichen Vorschriften.

Du kannst von SOUNDBOKS ApS eine kostenlose Kopie der Konformitätserklärung erhalten.

Vous pouvez obtenir un exemplaire gratuit de la Déclaration de conformité en contactant SOUNDBOKS ApS

## VEREINIGTE STAATEN

### Importeur:

SOUNDBOKS INC

1968 S. Coast Hwy #2510

Laguna Beach CA 92651 USA

Dieses Gerät entspricht Teil 15 der FCC-Bestimmungen. Der Betrieb unterliegt den folgenden zwei Bedingungen:

- Dieses Gerät darf keine schädlichen Interferenzen verursachen und
- Dieses Gerät muss alle empfangenen Interferenzen akzeptieren, einschließlich solcher, die einen unerwünschten Betrieb verursachen können.

Dieses Gerät wurde geprüft und entspricht den Grenzwerten für digitale Geräte der Klasse B gemäß Teil 15 der FCC-Vorschriften. Diese Grenzwerte sollen einen angemessenen Schutz vor schädlichen Interferenzen bei einer Installation in Wohngebieten bieten.

Dieses Gerät erzeugt und verwendet Hochfrequenzenergie und kann diese ausstrahlen. Es kann, wenn es nicht gemäß den Anweisungen installiert und verwendet wird, schädliche Störungen des Funkverkehrs verursachen. Es kann jedoch nicht gewährleistet werden, dass bei einer bestimmten Installation keine Interferenzen auftreten.

Wenn dieses Gerät schädliche Interferenzen beim Radio- oder Fernsehempfang verursacht (dies kann durch Ein- und Ausschalten des Geräts festgestellt werden), wird dem Benutzer der Versuch empfohlen, die Störung durch eine oder mehrere der folgenden Maßnahmen zu beheben:

- Die Empfangsantenne neu ausrichten oder positionieren.
- Den Abstand zwischen Gerät und Empfänger vergrößern.
- Das Gerät über eine Steckdose mit einem anderen Stromkreis als dem verbinden, an den der Empfänger angeschlossen ist.
- Wenn du Hilfe benötigst, wende dich an den Händler oder einen erfahrenen Radio- oder Fernsehtechniker.

**VORSICHT:**

Jegliche Änderungen oder Modifikationen, die nicht ausdrücklich vom Konzessionsgeber dieses Geräts genehmigt wurden, können zum Erlöschen der Berechtigung des Benutzers zum Betrieb des Geräts führen.

**Warnung vor HF-Exposition**

Dieses Gerät muss gemäß den bereitgestellten Anweisungen installiert und betrieben werden, und die für diesen Sender verwendete(n) Antenne(n) muss/müssen so installiert werden, dass ein Mindestabstand von 20 cm zu allen Personen gegeben ist, und dürfen nicht zusammen mit anderen Antennen oder Sendern betrieben werden.

Endnutzer und Installateure müssen Anweisungen für die Antenneninstallation und die Betriebsbedingungen des Senders bereitstellen, um die die HF-Exposition betreffenden Anforderungen zu erfüllen.

**KANADA**

**Erklärung von Industry Canada**

Dieses Gerät enthält lizenzfreie Sender/ Empfänger, die den lizenzfreien RSS(s) von Innovation, Science and Economic Development Canada entsprechen. Der Betrieb unterliegt den folgenden zwei Bedingungen:

1. Dieses Gerät darf keine Interferenzen verursachen,
2. Dieses Gerät muss alle Interferenzen akzeptieren, einschließlich solcher, die seinen unerwünschten Betrieb verursachen können.

**Informationen zur Hochfrequenzexposition (HF).**

Die abgestrahlte Leistung des drahtlosen Geräts liegt unter den ISSED-Grenzwerten (Innovation, Science and Economic Development Canada) für Hochfrequenzbelastung. Das drahtlose Gerät sollte so verwendet werden, dass

die Möglichkeit eines Kontakts mit Menschen während des normalen Betriebs minimiert wird. Dieses Gerät wurde auch bewertet und erfüllt die ISED-Grenzwerte für die HF-Exposition unter mobilen Expositionsbedingungen (Antennen sind mehr als 20 cm vom Körper entfernt).

## 7. WARNUNG, VORSICHT UND HINWEIS

### WARNING

WARNUNG weist auf eine gefährliche Situation hin, die, wenn sie nicht vermieden wird, zum Tod oder zu schweren Verletzungen führen kann.

### CAUTION

VORSICHT weist auf eine gefährliche Situation hin, die, wenn sie nicht vermieden wird, zu leichten oder mittelschweren Verletzungen führen kann.

### NOTICE

HINWEIS bezieht sich auf Praktiken, die nicht mit Personenschäden in Zusammenhang gebracht werden.

### WARNING

## LAUTSPRECHER

- Dieser Lautsprecher ist extrem laut. Sei achtsam, wenn du vor oder in der Nähe des Lautsprechers stehst, da dies zu Hörschäden führen kann.
- Schalte dein Produkt aus, wenn du Anzeichen möglicher Schäden wie z. B. geschmolzenes Plastik, ungewöhnlich hohe Temperaturen oder Gerüche aus deinem Lautsprecher bemerkst. Kontaktiere SOUNDBOKS über [info@SOUNDBOKS.com](mailto:info@SOUNDBOKS.com).
- Wenn aus dem Gerät Rauch austritt oder wenn das Gerät verbrannt riecht oder ungewöhnliche Geräusche von sich gibt, trenne es sofort vom Stromnetz oder vom Akku und betreibe es nicht weiter. Kontaktiere SOUNDBOKS über [info@SOUNDBOKS.com](mailto:info@SOUNDBOKS.com).
- Ein instabiler Untergrund kann dazu führen, dass das Gerät umkippt und jemanden verletzt oder sogar tötet; Kinder sind besonders gefährdet. Viele Unfälle können durch Einhaltung der folgenden Vorsichtsmaßnahmen vermieden werden:

- Verwende das Gerät immer auf einer stabilen Oberfläche. Stelle den SOUNDBOKS Lautsprecher an keinen Orten auf, von denen er herunterfallen und jemanden verletzen könnte.
- Wenn der SOUNDBOKS-Lautsprecher nicht sicher installiert ist, verwende ihn nicht in Fahrzeugen, an instabilen Standorten, auf wackeligen Stativen oder Möbeln, mit unzureichenden Halterungen usw.
- Stelle den SOUNDBOKS Lautsprecher so auf, dass er nicht versehentlich umgestoßen werden kann und achte darauf, dass die Kabel keine Stolpergefahr darstellen.
- Achte bei der Lagerung des SOUNDBOKS Lautsprechers auch darauf, dass er sicher steht und nicht umgestoßen oder umgeworfen werden kann.

## LADEGERÄT

- Lies vor der Verwendung unbedingt das Kapitel mit den Anweisungen für das Ladegerät und das Netzkabel.
- Um das Risiko eines Stromschlags oder Produktschäden zu vermeiden, verwende den SOUNDBOKS-Lautsprecher immer mit dem zugelassenen Ladegerät, z. B. dem mit dem Gerät gelieferten.
- Trage das Ladegerät niemals am Kabel.
- Das Netzkabel und das Ladegerät sind nur für den Innengebrauch bestimmt.
- Verwende nur ein offizielles SOUNDBOKS-Ladegerät.
- Schließe das Ladegerät niemals ohne angeschlossenen Akku direkt an den Lautsprecher an.

## AKKU

- Lies vor der Verwendung unbedingt das Kapitel mit den Anweisungen für den Akku.
- Der unsachgemäße Umgang mit wiederaufladbaren Akkus kann zu einem Brand oder einer Explosion führen.
- Halte den Akku fern von Büroklammern, Münzen, Schlüsseln, Schrauben oder anderen metallischen Gegenständen, die die Kontakte überbrücken könnten. Ein Kurzschluss, der durch überbrückte Akkukontakte verursacht wird, kann zu Verbrennungen oder zu einem Brand führen.
- Verwende nur offizielle SOUNDBOKS-Akkus.
- Die Verwendung von Autobatterien oder inoffiziellen Batterien kann zu gefährlichen Situationen führen, einschließlich Brand- und Explosionsgefahr.
- Bei unsachgemäßer Verwendung kann ätzende Batteriesäure aus dem Akku austreten, vermeide in diesem Fall jeden Kontakt mit der Batteriesäure. Bei versehentlichem Kontakt sofort mit viel Wasser spülen und ärztliche Hilfe in Anspruch nehmen.
- Den Akku niemals am Kabel tragen.
- Stöße und abrupte Belastungen vermeiden.
- Brand- oder Explosionsgefahr, wenn der Akku durch einen falschen Typ ersetzt wird.
- Das Werfen eines Akkus ins Feuer oder in einen heißen Ofen oder das mechanische Zerkleinern oder Zerschneiden eines Akkus kann zu einer Explosion führen.
- Das Hinterlassen eines Akkus in einer Umgebung mit extrem hohen Temperaturen kann zu einer Explosion oder zum Austreten brennbarer

Flüssigkeiten oder Gase führen.

- Ein Akku, der einem extrem niedrigen Luftdruck ausgesetzt ist, kann zu einer Explosion oder zum Austreten von entflammaren Flüssigkeiten oder Gasen führen.

## ALLGEMEINES

- Kinder niemals unbeaufsichtigt elektrische Geräte bedienen lassen.
- Das Gerätegehäuse niemals öffnen. Reparaturen dürfen nur von einer autorisierten Fachwerkstatt durchgeführt werden. Dabei dürfen nur Teile verwendet werden, die den Original-Gerätedaten entsprechen.
- Nur die vom Hersteller angegebenen Zubehörprodukte verwenden.
- Wenn Wasser oder andere Verunreinigungen in das Gehäuse eindringen, sofort den Netzstecker ziehen und den Akku entfernen. Danach SOUNDBOKS über [info@SOUNDBOKS.com](mailto:info@SOUNDBOKS.com) kontaktieren.
- Keine Teile des Geräts dürfen verändert werden. Unbefugte Eingriffe können die Sicherheit, Funktionalität und Gewährleistung beeinträchtigen. Das einzige Teil, das modifiziert werden darf, ist der Frontgrill.
- Durch dieses Gerät und sein Zubehör kannst du Chemikalien ausgesetzt werden, darunter Blei, das im US-Bundesstaat Kalifornien als krebserregend, geburtsschädigend oder fortpflanzungsgefährdend bekannt ist.

### CAUTION

Längeres Hören bei hoher Lautstärke kann zu Hörverlust führen. Um gesundheitliche Schäden zu vermeiden, vermeide längeres Hören mit hoher Lautstärke.

### NOTICE

- Dieses Gerät arbeitet in den folgenden Frequenzbändern (für BT, BLE & 2.4G); 2402~2480MHz. Die maximal übertragene Hochfrequenzleistung beträgt 8,4 dBm
- Grober Fehlgebrauch und falsche Pflege sind die Hauptgründe für Schäden an Hochleistungsakkus.
- Vermeide eine Tiefenentladung unter 20 % für eine optimale Akkuleistung.
- Lade deinen Akku regelmäßig auf.
- Lager deinen Akku kühl, aber frostfrei, idealerweise bei 15 °C. Höhere Temperaturen führen zu einer stärkeren Selbstentladung und verkürzen die Ladeintervalle.
- Setze den Akku nicht direkter Sonneneinstrahlung oder anderen Wärmequellen aus.
- Eine Tiefenentladung schädigt die Akkuzellen. Die häufigste Ursache für eine Tiefenentladung ist eine längere Lagerung oder Nichtbenutzung eines teilentladenen Akkus. Lagere den Akku nur, wenn er vollständig geladen ist.
- Wenn eine SOUNDBOKS nach dem Abkühlen (z. B. nach dem Transport) warmen Temperaturen ausgesetzt wird, kann sich im Inneren Kondenswasser bilden. Warte in diesem Fall mindestens 2 Stunden, bevor du die SOUNDBOKS anschließt und aktivierst.
- Stelle keine offenen Feuerquellen wie brennende Kerzen oder Ähnliches auf die SOUNDBOKS.
- Platziere die SOUNDBOKS nicht in die Nähe von Wärmequellen (z. B. Heizungen, Öfen).
- Für ausreichende Belüftung sorgen.
- Nicht mit Gardinen, Decken, Plakaten oder Ähnlichem abdecken. Ein Wärmestau in einem SOUNDBOKS-Produkt kann seine Lebensdauer verkürzen.

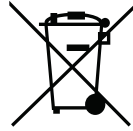
- Wenn eine SOUNDBOKS für längere Zeit unbeaufsichtigt bleibt (z. B. im Urlaub), sollte das Gerät ausgeschaltet und vom Stromnetz getrennt werden. Achte darauf, deine SOUNDBOKS an einem sauberen, trockenen und geschützten Ort zu befestigen.
- Elektrostatische Aufladung oder Entladung sollte vermieden werden. Verwende niemals synthetische Tücher oder Schwämme, um Teile des Geräts zu reinigen; verwende stattdessen nur mit Wasser angefeuchtete Tücher ohne Zusätze.



## 8. VERWENDUNGSZWECK

Dieses Produkt ist ein Lautsprecher zur Wiedergabe von Musik und Ton in Verbindung mit einem Musikgerät wie einem Smartphone, Tablet oder einem anderen kompatiblen Gerät. Dieses Produkt darf nicht für andere Zwecke verwendet werden. Jede andere Verwendung oder Nutzung unter anderen Betriebsbedingungen gilt als unsachgemäß und kann zu Personen- oder Sachschäden führen. Für Schäden aus unsachgemäßer Verwendung wird keine Haftung übernommen.

## 9. ENTSORGUNGS- INFORMATIONEN



Dieses Produkt enthält Akkus und recycelbare Elektronikteile. Zum Schutz der Umwelt sollte es nicht mit dem Hausmüll entsorgt, sondern zu der entsprechenden lokalen Sammelstelle gebracht werden.

Das Verpackungsmaterial von SOUNDBOKS ist recycelbar, und wir empfehlen, mit Recycling-Symbolen gekennzeichnete Teile bei der Entsorgung getrennt zu sortieren.

## 10. KENNZEICHNUNGEN



Die Bluetooth®-Marke und -Logos sind eingetragene Marken im Eigentum von Bluetooth SIG, Inc. und ihre Verwendung erfolgt unter Lizenz.

iPhone® ist eine eingetragene Marke von Apple, Inc.

Android™ ist eine Marke von Google, Inc.



Die Plakette „SKAA-kompatibel“ bescheinigt, dass das Produkt getestet wurde, alle Anforderungen des SKAA-Standards vollständig erfüllt und die SKAA-Zertifizierung erhalten hat. Dieses Produkt funktioniert nahtlos mit anderen Produkten des SKAA-Ökosystems von Audioübertragungs- und -empfangsgeräten. Weitere Informationen zum SKAA-Standard findest du unter [www.SKAA.com](http://www.SKAA.com). Der Name SKAA® sowie die mit ihm verbundenen Marken, Logos und Symbole sind Warenzeichen oder eingetragene Warenzeichen von Eleven Engineering Incorporated.

## 11. ABSCHLIESSENDE BEMERKUNGEN

Wir hoffen, dass du viel Spaß mit deinem SOUNDBOKS-Produkt haben wirst. Bei Fragen, Ideen oder anderen Anliegen zögere nicht, uns zu kontaktieren. Wir freuen uns, mit dir zu sprechen!

Schreibe uns gerne an [info@SOUNDBOKS.com](mailto:info@SOUNDBOKS.com)

### **Geschäftsadresse in den USA:**

SOUNDBOKS Inc.  
1968 S. Coast Hwy #2510  
Laguna Beach CA 92651  
United States of America

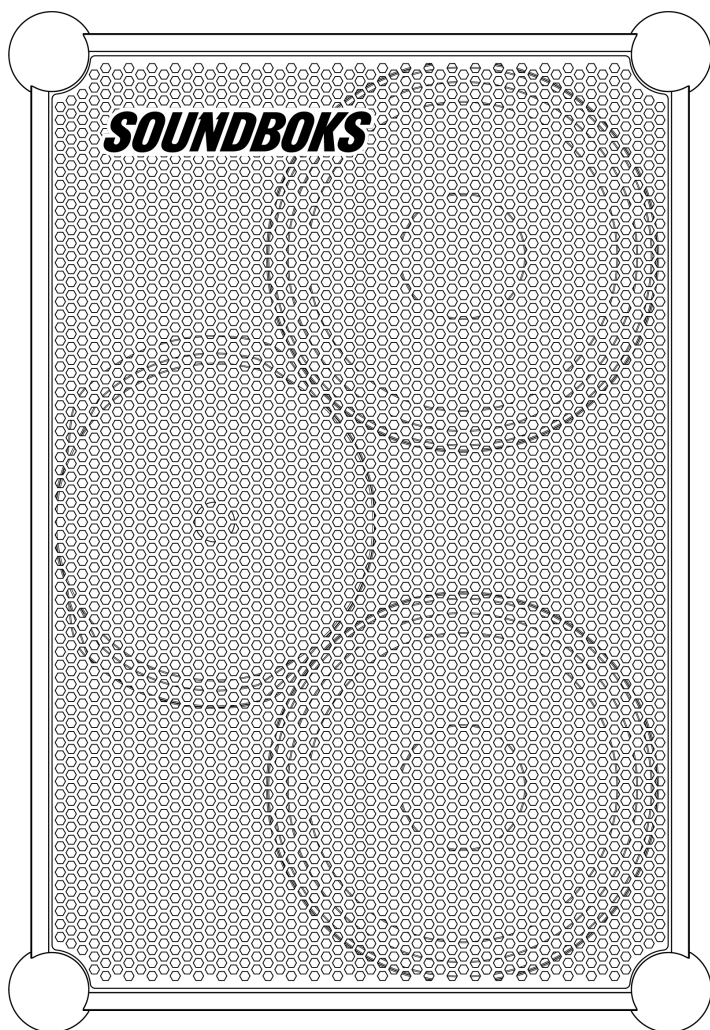
### **Für den Rest der Welt:**

SOUNDBOKS ApS  
CVR : 36457597  
Esromgade 15, 1107  
2200 Copenhagen N  
Denmark

***SOUNDBOKS***

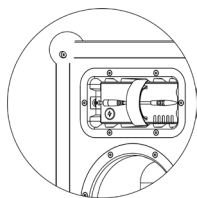
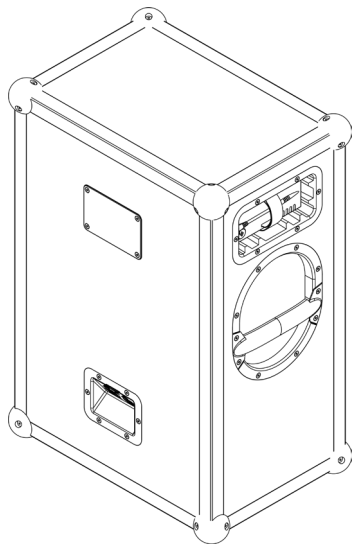
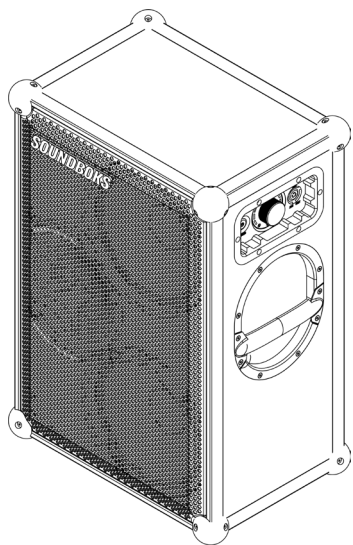
# **SOUNDBOKS (第4代)**

## **用户手册**



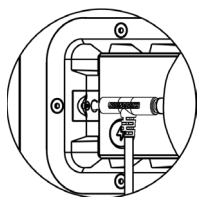
# 下一代SOUNDBOKS

尽享音质、设计和蓝牙性能的全新境界。  
这是SOUNDBOKS（第4代）。



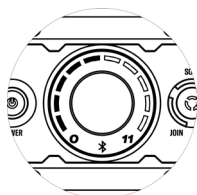
**01** BATTERYBOKS充满电需要约3.5小时，以获得最佳性能。

**02** 充电后，将BATTERYBOKS滑入（不要用力）电池槽，直到贴合。然后插入DC接口。



**!** 切勿在无电池的情况下将充电器直接插入音箱。充电器不是电源。

**03** 充电器不是电源。SOUNDBOKS仅可用电池供电。充电器T型接头仅在中等音量播放时与电池一起使用。在同时播放和充电时，将SOUNDBOKS的音量控制在二分之一以下，表盘上的12点钟位置，5个指示灯亮起。



**04** 按下电源按钮启动音箱。在音量旋钮周围的LED亮起时即可连接。

**05** 要连接，请前往设备的蓝牙设置，找到并选择SOUNDBOKS #YourTeamID。您的唯一Team ID位于音箱背面。

**06** 选择最喜欢的歌曲，调大音量，走出去，打破喧嚣。



有问题？

在这里快速找到答案。

<b>1. SOUNDBOKS (第4代)</b>	<b>120</b>
1.1 概述	
1.2 规格	
1.3 LED状态	
1.4 定制	
1.5 SKAA & 键合按钮	
<b>2. BATTERYBOKS和充电器</b>	<b>130</b>
2.1 概述	
2.2 为BATTERYBOKS充电	
<b>3. 质保和服务</b>	<b>132</b>
<b>4. 责任限制</b>	<b>134</b>
<b>5. 免责声明</b>	<b>135</b>
<b>6. 合规</b>	<b>136</b>
<b>7. 警告、小心和注意</b>	<b>138</b>
<b>8. 预定用途</b>	<b>141</b>
<b>9. 处理信息</b>	<b>142</b>
<b>10. 标识</b>	<b>143</b>
<b>11. 结束语</b>	<b>144</b>

# 1. SOUNDBOKS (第4代)

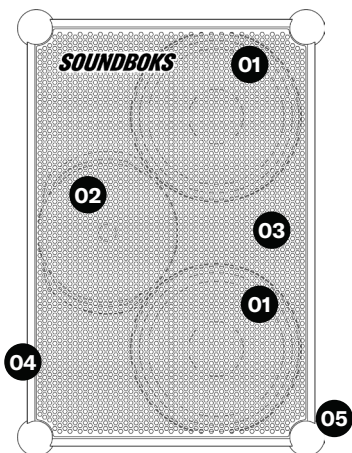
## 1.1 概述

## 1.2 规格

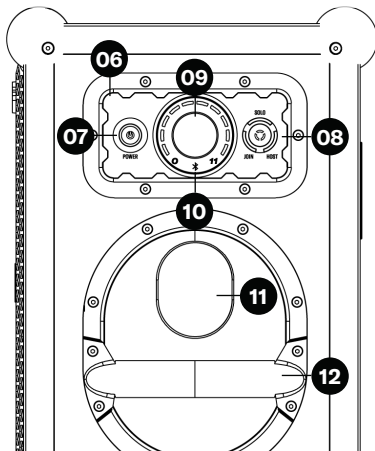
## 1.3 LED状态

## 1.4 定制

## 1.5 SKAA & 键合按钮

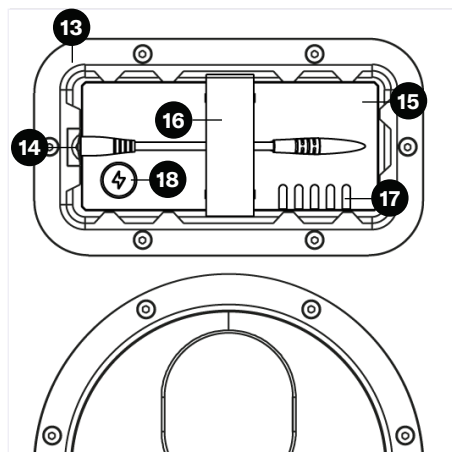


- 01 低音驱动器
- 02 高音喇叭
- 03 锁定网罩
- 04 粉末喷涂角铝
- 05 硅胶球型护角

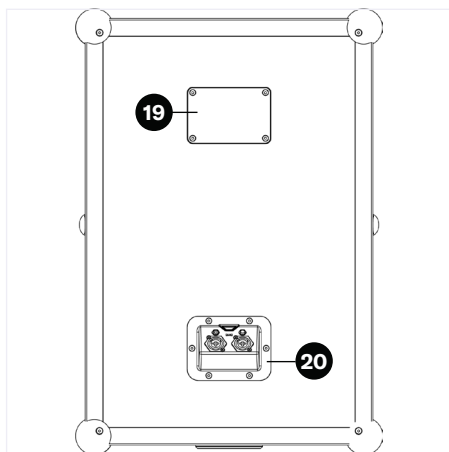


- 06 UI面板
- 07 电源按钮
- 08 TeamUP按钮 (SOLO/HOST/JOIN)
- 09 音量旋钮
- 10 蓝牙LED指示灯
- 11 脉冲反射端口
- 12 粉末喷涂钢手柄

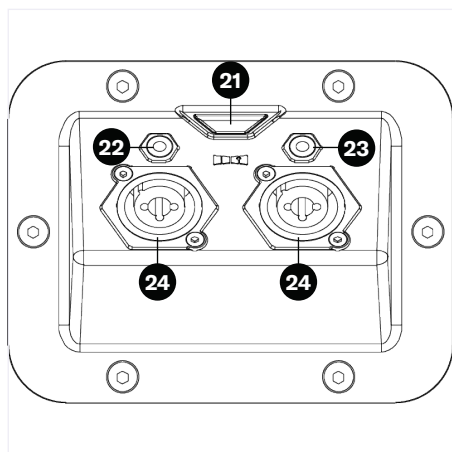




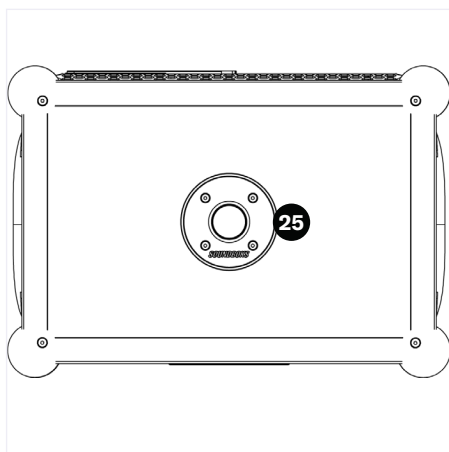
- 13 电池接口
- 14 直流输入
- 15 BATTERYBOX
- 16 带子
- 17 LED电池寿命指示灯
- 18 电池电量状态按钮



- 19 唯一的SOUNDBOKS (第4代) Team ID
- 20 专业面板



- 21 SKAA键合按钮和LED指示灯
- 22 3.5mm (1/8" ) 立体声输入
- 23 3.5mm (1/8" ) 立体声输出
- 24 组合麦克风/乐器 (XLR, 1/4" ) 输入



- 25 立杆安装

# 1. SOUNDBOKS (第4代)

1.1 概述

1.2 规格

1.3 LED状态

1.4 定制

1.5 SKAA & 键合按钮

## 声音

### 功放

Merus Audio eximo®功放开关  
3 × 72W RMS D类功放  
高级低音DSP

### 驱动器装置

2 × 10" 低音扬声器  
1 × 1" 压缩驱动器高音喇叭

### 声学

有效频率范围: 40Hz - 20kHz  
配备低音增强的定制声音模式  
自定义脉冲反射端口

### 连接性

蓝牙5.0  
TeamUp无线连接, 最多支持5个SKAA兼容  
SOUNDBOKS产品

### 兼容性

与iPhone®和Android™兼容

### 专业面板

2 × 组合麦克风/乐器 (XLR, 1/4" ) 输入  
1 × 3.5mm (1/8" ) 立体声输入  
1 × 3.5mm (1/8" ) 立体声输出  
SKAA键合按钮



## 版本

### 尺寸

66 × 43 × 32 厘米 (25.6 × 17 × 13 英寸 (高 × 宽 × 深))

## 重量

16.1千克/35.5磅



## 材质

杨木箱体  
粉末喷涂铝制框架  
粉末喷涂钢手柄  
粉末喷涂或液体涂装（取决于不同颜色）钢网罩  
硅胶球型护角

## 特性

插拔网罩和电池  
脉冲反射端口  
1 × Ø35mm 立杆安装  
UI面板：

音量调节

无线TeamUP的HOST/JOIN模式

## 温度

日常使用：-20°C至55°C  
推荐存放：5°C至20°C，以获得最佳产品寿命

## 电池

### 设计

5级LED电池寿命指示灯  
增强型DC接口

### 电池类型

锂离子充电电池  
磷酸铁锂 (LiFePO4)


### 电池性能

输出：12.8V  $\pm$   
放电温度 -20°C至55°C (-4° F至131° F)  
充电温度 0°C至40°C (32° F至104° F)  
电量：99.84Wh或7.8Ah

## 电池寿命

中等音量40小时  
最大音量5小时  
3.5小时充满电

## 电池管理系统 (BMS)

过度放电和放电不足保护  
短路保护  
过热保护  
电池电压管理  
在14天不活动后将启动睡眠模式。按下  按钮唤醒。

## 运输

电池已通过UN38.3安全运输安全认证

## 充电器

### 充电器性能

输入：最大100-240V ~ 50-60Hz, 1.2A  
输出：14.0V  $\pm$  3.3A

# 1. SOUNDBOKS (第4代)

1.1 概述

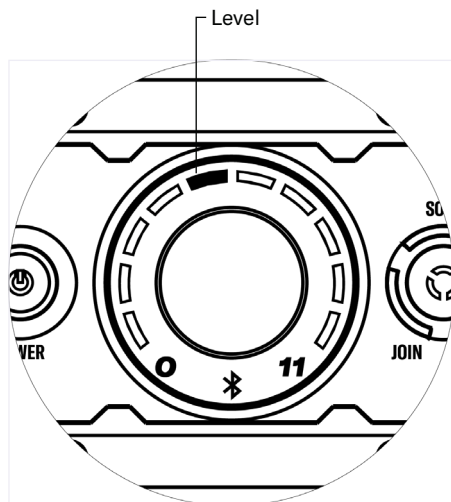
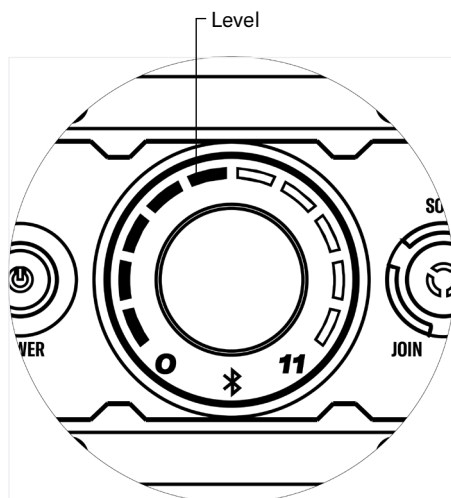
1.2 规格

**1.3 LED状态**

1.4 定制

1.5 SKAA & 键合按钮

SOUNDBOKS (第4代) 将在10秒恒定音量后关闭拖尾LED以省电。



# 1. SOUNDBOKS (第4代)

1.1 概述

1.2 规格

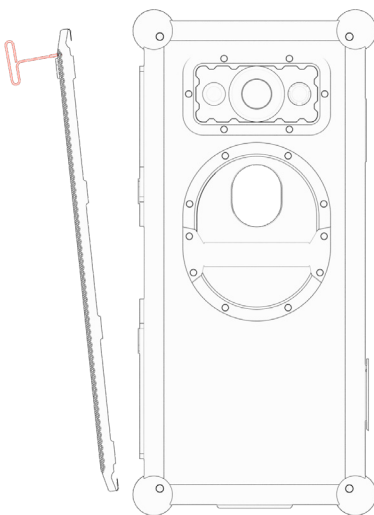
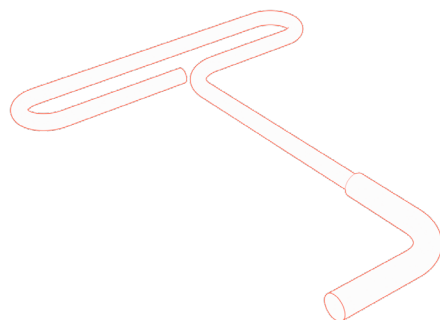
1.3 LED状态

**1.4 定制**

1.5 SKAA & 键合按钮

最新SOUNDBOKS网罩专为轻松定制而打造，只需拆下网罩，移除标志，相信自己的创造力，即可将全新SOUNDBOKS变成一件艺术品。

以下是开始定制的分步指南。



## 移除网罩

SOUNDBOKS (第4代) 网罩采用卡扣式紧固件连接到音箱，可用附带的网罩拆卸工具移除。该工具由手柄和橡胶头组成。

要移除网罩，用橡胶头钩入网罩的孔。拉动网罩的角落是最简单的方式。小心地开始将网罩从音箱上拉下。沿边缘在多个点均匀松动网罩，直到脱落，可用手移除。

## 移除SOUNDBOKS标志

保持标志清洁。拧下标志并置于安全的地方。

## 表现自我

使SOUNDBOKS个性化。网罩可以刷大多数种类的漆，一定要在之前刷一层底漆，之后刷一层密封剂，以使其经久耐用。

## 派对开始

更换标志，重新扣上网罩。连接音乐，调高音量，向全世界展示您的定制SOUNDBOKS。

# 1. SOUNDBOKS (第4代)

- 1.1 概述
- 1.2 规格
- 1.3 LED状态
- 1.4 定制
- 1.5 SKAA & 键合按钮

以下是SKAA接收器官方用户指南。它详细介绍了如何操作位于SOUNDBOKS (第4代) 背面专业面板上的键合按钮，并对其进行故障排除。键合按钮是JOIN模式的控制按钮，通过

无线菊花链功能TeamUP实现。每个SKAA®接收器都有一个绿色清单，可以记住您喜欢的发射器。接收器上的绿色指示灯表示正在收听或搜寻喜欢的。接收器还可以寻找新的发射器，琥珀色指示灯表示正在寻找不在绿色清单中的发射器。集群是有两个或多个部件共同运行的产品。键合按钮使您能选择收听哪个发射器。键合按钮的标志由两个箭头组成。



产品上的SKAA兼容徽章表明该产品经过测试，完全符合SKAA标准的所有要求，并获得了SKAA认证。该产品将与SKAA音频传输和接收设备生态系统中的其它产品无缝协作。有关SKAA标准的更多信息，请访问[www.SKAA.com](http://www.SKAA.com)。SKAA®名称及其相关标记、标志和图标是Eleven Engineering Incorporated的商标或注册商标。

键合按钮	指令	指示灯	含义
按住几秒钟	<b>添加/删除</b> 向/从绿色清单手动添加/删除当前发射器。	● 至 ● ● 闪烁	已添加 已删除
按住几秒钟	<b>自动添加</b> 如果收听30分钟, SKAA会自动将当前琥珀色发射器添加至绿色清单	● 至 ●	已添加
单击	<b>绿色模式</b> 在您喜欢的发射器列表 (绿色清单) 间轮换 — 在找到喜欢的发射器时, 搜索停止并播放来自那个发射器的音频。	● 变暗 ● 闪烁 ● 变亮	正在搜寻 下一个 已键合
点击2下	<b>琥珀色模式</b> 寻找新的未知发射器 (不在绿色清单上的)。	● 变暗 ● 变亮	正在搜寻 已键合
点击3下	<b>静音</b> 再次操作取消静音; 任何点击命令都将首先取消静音, 然后起效	●, ● 或 ● 慢速闪烁	已静音
点击4下	<b>红色模式</b> 如果绿色清单上有2个或更多发射器, 只打开想听的那个, 它就会自动播放	● 变暗 ● 变亮	正在搜寻 已键合
点击6下	<b>恢复出厂设置</b> 清除绿色清单。重新开始!	● 闪烁	重置完成
开机时按住	<ol style="list-style-type: none"> <li>将要添加到集群的JOIN音箱置于Master JOIN 音箱的3米范围内。</li> <li>关闭HOST音箱。</li> <li>打开要添加到集群的所有JOIN音箱, 但Master JOIN音箱保持关闭。</li> <li>在Master JOIN音箱上, 按住键合按钮, 然后按下电源按钮, 同时按住两个按钮, 等待红灯开始闪烁, 首先松开电源按钮, 然后是键合按钮。Master JOIN音箱现在闪烁红灯。Master JOIN音箱上的所有其它LED熄灭。</li> <li>在Master JOIN LED闪烁红灯时, 按下连接按钮, 直到要添加到集群的所有JOIN音箱都选择JOIN。这一步只有10秒的时间。</li> </ol>	● 闪烁  ● 变亮	接收器已进入集群运行模式。  集群已成功创建



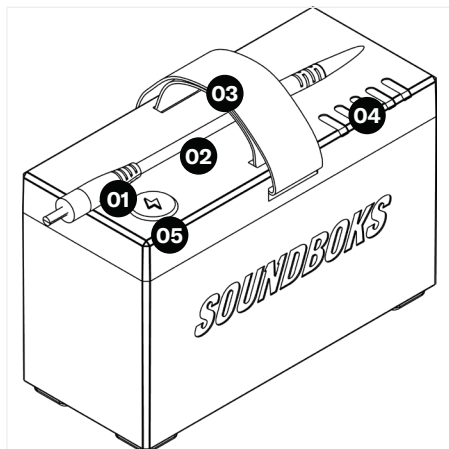
6. 在所有JOIN音箱都被集群接受时，其LED将变为常亮的红色。
7. 在所有集群JOIN LED都呈红色常亮后，关闭所有JOIN音箱。
8. 点击连接按钮，打开HOST音箱并将其置于HOST模式。连接BT音频或AUX，以在HOST音箱上播放音乐。
9. 打开集群中的JOIN音箱，并将其置于JOIN模式。所有音箱现在都在播放来自HOST的音乐。所有JOIN音箱的音量都可以从集群中的任何JOIN音箱控制，键合按钮的3次点击功能也可在集群之间共享，以使所有JOIN音箱静音。

Master JOIN音箱上的键合按钮有与上述相同的点击功能。HOST音箱的音量由自身控制，独立于集群。要取消设备的集群模式，重复第4步。等待红色常亮，然后点击6下键合按钮

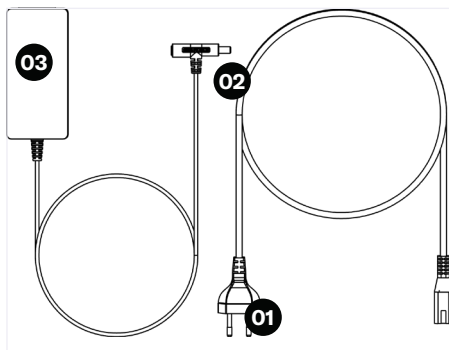
## 2. BATTERYBOKS & 充电器

### 2.1 概述

### 2.2 为BATTERYBOKS充电



- 01 电池 DC 插头
- 02 直流电缆
- 03 背带
- 04 LED 电池寿命指示灯
- 05 电池电量状态按钮



- 01 电源线
- 02 电池直流输入
- 03 充电器DC插头

## 2. BATTERYBOKS & 充电器

### 2.1 概述

### 2.2 为BATTERYBOKS充电

请记住在充满电后拔掉电池插头，一次充电不得超过6小时，因为这可能会损坏电池。以下是为BATTERYBOKS充电的两种方式：

#### 在SOUNDBOKS（第4代）外部为电池充电

将BATTERYBOKS DC插头插入充电器的直流输入，并将充电器的电源线插入最近的电源插座。

#### 电池在SOUNDBOKS（第4代）内时为其充电

充电器不是电源。SOUNDBOKS仅可用电池供电。充电器T型接头仅在中等音量播放时与电池一起使用。在同时播放和充电时，将SOUNDBOKS的音量控制在一半以下，表盘上的12点钟位置，5个指示灯亮起。

#### 重要事宜

切勿在没有BATTERYBOKS的情况下使用SOUNDBOKS（第4代），即将充电器直接插入SOUNDBOKS（第4代）。

仅使用SOUNDBOKS或其它经认可经销商销售的官方充电器和电池。所有SOUNDBOKS官方充电器和电池背面均印有SOUNDBOKS标志

### 3. 质保和服务

SOUNDBOKS保证（“有限质保”）终端用户（“客户”或“您”）最初购买时，SOUNDBOKS产品在材料和工艺方面没有缺陷。本有限质保仅涵盖SOUNDBOKS产品在如下所述的环境中正常、以预定用途使用时的功能，不涵盖因下文第4节进一步说明的不当或不合理使用或维护而导致的故障，以及任何擅自维修、正常磨损或外部原因，例如事故、滥用或超出我们合理控制范围的其它行为或事件。

本有限质保适用于直接从SOUNDBOKS购买全新SOUNDBOKS产品的客户。本有限质保不得出让或转让给任何后续购买者或用户。向授权零售商购买的任何SOUNDBOKS产品由该授权零售商提供的质保条款涵盖。有限质保仅限于SOUNDBOKS酌情决定维修或更换SOUNDBOKS产品，运输、拆卸或安装SOUNDBOKS产品的费用不在本有限质保范围内。本有限质保的期限为客户最初购买SOUNDBOKS产品后的

两(2)年。如果SOUNDBOKS在适用质保期内收到关于SOUNDBOKS质保范围内任何SOUNDBOKS产品存在缺陷

的有效通知，有关涵盖产品的列表，请访问 [SOUNDBOKS.com/help](https://www.soundboks.com/help)。SOUNDBOKS将酌情决定，

- a) 在收到缺陷通知后的合理时间内；
- b) 用全新或翻新的替换件免费修复缺陷，或
- c) 更换产品。

响应时间可能因国家而异，还取决于零件、劳动力和运输的可用性等等。

#### **获取服务：访问 [SOUNDBOKS.COM/HELP](https://www.soundboks.com/help)**

本有限质保赋予您特定的法律权利，您可能还拥有其它法律权利，这些权利因国家而异。我们将所有默示保证的期限和补救措施限制在本明示有限质保的期限内，包括但不限于适销性和特定用途适用性保证。美国一些州不允许限制默示保证的持续时间，因此上述限制可能不适用于您。

购买SOUNDBOKS产品的条款和条件规定了缺陷及合规性保证，以及OUNDBOKS授予的

可能的额外商业保证。有关消费者(B2C)和商业采购者(B2B)的条款和条件，请访问([www.SOUNDBOKS.com/terms](http://www.SOUNDBOKS.com/terms))。如果产品用于租赁活动，则适用特定条款和条件。这些条款和条件规定了相应保证下的权利、条件、限制和补救措施。我们建议您阅读我们的条款和条件。居住在欧盟的消费者有权获得法律保障。

#### **如何获得质保服务或提出质保申请：**

欧洲：

SOUNDBOKS ApS, Esromgade 15,  
2200 Copenhagen N, Denmark;  
CVR nr.36457597, 电子邮件: [info@SOUNDBOKS.com](mailto:info@SOUNDBOKS.com)。

联系服务提供商，并遵循服务提供商指定的程序。美国和加拿大：

联系人 SOUNDBOKS Inc., 1968 S. Coast  
Hwy #2510 Laguna Beach CA 92651,  
USA, 电子邮件: [info@SOUNDBOKS.com](mailto:info@SOUNDBOKS.com)。

SOUNDBOKS (第4代) 的序列号可在电池盒内找到。

## 4. 责任限制

上述补救措施是唯一且排他性补救措施，是我们对任何违反本有限质保的行为承担的全部责任。在任何情况下，我们的责任都不应超过您为有缺陷产品支付的实际金额，在任何情况下，我们也不应对任何间接、附带、特殊或惩罚性损害或损失负责，无论是直接还是间接。美国一些州不允许排除或限制附带或间接损害，因此上述限制或排除可能不适用于您。

## 5. 免责声明

除非有限质保规定且在法律允许的范围内，否则在任何情况下，SOUNDBOKS、其员工、附属机构、董事会、任何和/或公司所有者，或其第三方供应商均不对直接、间接、特殊、随机或结果性损害（包括但不限于经济损失、人身损害，以及资产和财产损失）负责，无论是基于合同、侵权行为还是任何其它法律理论，但不限于因粗心、错误和不当使用产品而造成的直接、间接、特殊、随机或结果性损害。连同上述内容，SOUNDBOKS需要特别提请注意，以下行为将免除SOUNDBOKS的任何责任：

- 错误插入电池和音箱
- SOUNDBOKS产品长时间暴露于任何形式的降水下
- 将SOUNDBOKS产品的任何部分浸入任何形式的液体中
- 将SOUNDBOKS产品用于常规用途之外的其它用途
- 使用非SOUNDBOKS生产和交付的充电器
- 使用非SOUNDBOKS生产和交付的电池
- 对任何SOUNDBOKS产品的任何部分进行私自改装、改造或改动，用所提供工具移除和定制SOUNDBOKS网罩除外

## 6. 合规

### 欧盟

#### CE

SOUNDBOKS (第4代) 的制造商  
SOUNDBOKS ApS特此声明, 该  
SOUNDBOKS (第4代) 符合以下欧盟指令的  
基本要求和其它相关规定:

无线设备指令2014/53/EU

电磁兼容性2014/30/EU

低压指令2014/35/EU

生态设计指令2009/125/EC和法规(EU)  
2017/1369

RoHS指令2011/65/EU和指令2015/863/  
EU

REACH SVHC法规 (EC) No 1907/2006

WEEE指令2012/19/EU

本产品包含2006/66/EC欧洲电池指令 (经指  
令2013/56修订) 涵盖的电池, 不能与普通生  
活垃圾一起处理。请遵守当地法规。

您可以联系SOUNDBOKS ApS获取免费的合  
规性声明副本

### 美国

#### 进口商:

SOUNDBOKS INC  
1968 S. Coast Hwy #2510  
Laguna Beach CA 92651 USA

本设备符合FCC规则第15部分。操作需满足以  
下两个条件:

- 该设备不得造成有害干扰, 并且
- 该设备必须接受收到的任何干扰, 包括可  
能导致非预期运行的干扰。
- 

根据FCC规则第15部分, 本设备经过测试, 符  
合B类数字设备的限制。这些限制旨在提供合理  
的保护, 防止住宅设施中的有害干扰。

本设备会产生、使用并可能发射射频能量, 如  
果未按照说明安装和使用, 可能会对无线电通  
讯造成有害干扰。但不能保证在特定设施中不  
会发生干扰。



如果该设备确实对无线电或电视接收造成有害干扰（可通过关闭和打开设备来确定），建议用户尝试通过以下一种或多种措施来消除干扰：

- 调整接收天线的方向或位置。
- 增大设备和接收器之间的距离。
- 将设备连接到与接收器连接的电路不同电路上的电源插座。
- 咨询经销商或有经验的无线电/电视技师寻求帮助。

### **小心：**

任何未经本设备受让人明确批准的更改或改装都可能导致用户无权操作设备。

### **射频接触警告**

该设备必须按照提供的说明进行安装和操作，用于该发射器的天线必须安装在与所有人员至少20厘米的距离之外，并且不得与任何其它天线或发射器一起放置或操作。

终端用户和安装人员必须提供天线安装说明和发射器操作条件，以满足RF接触要求。

## **加拿大**

### **加拿大工业部声明**

本设备包含符合加拿大创新、科学和经济发展部免许可RSS的免许可发射器。操作需满足以下两个条件：

1. 该设备不得造成干扰，
2. 该设备必须接受任何干扰，包括可能导致设备非预期运行的干扰。

### **射频(RF)接触信息**

无线设备的辐射输出功率低于加拿大创新、科学和经济发展部(ISED)射频接触限制。无线设备的使用应尽量减少正常操作期间与人体接触的可能性。该设备还经过评估，证明符合移动接触条件下的ISED RF接触限制（天线距离人体大于20厘米）。

## 7. 警告、小心和注意

### WARNING

警告表示如果不可避免，可能导致死亡或重伤的危险情况。

### CAUTION

小心表示如果不可避免，可能导致轻度或中度受伤的危险情况。

### NOTICE

注意用于指与人身伤害无关的做法。

### WARNING

## 音箱

- 这款音箱非常响亮。站在音箱前或附近时要小心，因为这可能导致听力受损。
- 如果注意到任何可能损坏的迹象，例如塑料熔化、异常高温或音箱发出异味，请关闭产品。通过[info@SOUNDBOKS.com](mailto:info@SOUNDBOKS.com)联系SOUNDBOKS。
- 如果设备冒烟、有烧焦味或发出异响，请立即将其与电源或电池断开，不要继续操作。通过[info@SOUNDBOKS.com](mailto:info@SOUNDBOKS.com)联系SOUNDBOKS。
- 底座不稳固可能导致设备倾倒，从而伤人甚至导致死亡；儿童尤其有危险。通过采取以下预防措施，可预防大量事故：
  - 始终在稳定的表面上使用。请勿将SOUNDBOKS音箱置于可能坠落伤人的地方。
  - 如果SOUNDBOKS音箱未牢固架设，请勿在车辆内、不稳定的地方、摇晃的三脚架或家具上、支架不足等情况下使用。
  - 将SOUNDBOKS音箱置于不会被无意撞翻的位置，并确保电缆不会把人绊倒。

- 存放SOUNDBOKS音箱时，还要确保其稳固直立，不会被撞倒或撞翻。

## 充电器

- 使用前请务必阅读充电器和交流电源线的说明章节。
- 为避免触电或产品损坏，请始终将SOUNDBOKS音箱与经认可的充电器一起使用，例如设备附带的充电器。
- 切勿用电缆提起充电器。
- 电源线和充电器仅供室内使用。
- 仅使用官方SOUNDBOKS充电器。
- 切勿在未连接电池的情况下将充电器直接连接至音箱。

## 电池

- 使用前请务必阅读电池的说明章节。
- 充电电池使用不当可能导致起火或爆炸。
- 使充电电池远离曲别针、硬币、钥匙、螺丝或其它可能桥接触点的金属物体。桥接充电电池触点引起的短路可能导致灼伤或起火。
- 仅可使用官方SOUNDBOKS电池。
- 使用汽车电池或非官方电池可能导致危险，包括起火或爆炸。
- 如果使用不当，腐蚀性电池酸液可能会从充电电池中泄漏，避免与之接触。如不慎接触，立即用大量清水冲洗并就医。
- 切勿用电缆提起充电电池。
- 避免颠簸和突然的应力。
- 如果更换的电池型号不正确，则有起火或爆炸的风险。
- 将电池置于火中或热烤箱中，或机械挤压或切割电池可能导致爆炸
- 将电池置于极端高温的环境中可能导致爆炸或易燃液体或气体泄漏。
- 电池承受极低气压可能导致爆炸或易燃液体或气体泄漏。

## 常规

- 切勿让儿童在无人看管的情况下操作电气设备。
- 切勿打开设备外壳。维修只能由授权的专业车间进行。在此过程中，只能使用与原始设备数据相符的零件。
- 仅使用制造商指定的配件产品。
- 如果水或其它杂质进入外壳，立即拔下主插头并移除充电电池。然后通过info@SOUNDBOKS.com联系SOUNDBOKS。
- 切勿改装设备的任何部分。擅自干预可能会影响安全、功能和质保。唯一允许改装的部分是前网罩。
- 本设备及其配件可能会使您接触到包括铅在内的化学物质，加利福尼亚州已知铅会导致癌症、先天缺陷或其它生殖危害。

### CAUTION

以大音量长时间收听可能导致听力损失。为避免损害健康，请避免以大音量长时间收听。

### NOTICE

- 该设备在以下频段运行（适用于BT、BLE和2.4G）；2402~2480MHz。发射的最大射频功率为8.4dBm
- 严重误用和不正确护理是导致高性能充电电池损坏的主要原因。
- 避免低于20%的深度放电，以获得最佳充电电池电量。
- 经常为充电电池充电。
- 将充电电池存放在凉爽但无霜的区域，理想温度为15°C/59°F。较高的温度会导致较高的自放电率，缩短充电间隔。
- 请勿将充电电池暴露在阳光直射或其它热源下。
- 深度放电会损坏充电电池。深度放电最常见的原因是长时间存放或未使用部分放电的充电电池。仅在充电电池充满电后才可存放。
- 如果SOUNDBOKS在冷却后（例如运输后）温度升高，其内部可能会发生冷凝。

在这种情况下，请至少等待2小时，然后再连接并启动SOUNDBOKS。

- 请勿在SOUNDBOKS上放置明火源，例如燃烧的蜡烛或类似物品。
- 请勿将SOUNDBOKS置于热源附近（例如加热装置、烤箱）。
- 确保充分通风。
- 不要用窗帘、毯子、海报或类似物品遮盖。任何SOUNDBOKS产品内部的热量积聚都可能缩短其使用寿命。
- 如果SOUNDBOKS长时间无人看管（例如度假时），请关闭电源并断开设备。请务必将SOUNDBOKS存放在干净、干燥、有遮蔽的地方。
- 避免静电或放电。切勿使用合成织物或海绵清洁设备的任何部分；而只能使用以不含任何添加剂的水浸湿的布。

## 8. 预定用途

本产品为扩音器，用于与音乐设备（例如智能手机、平板电脑或其它兼容设备）连接播放音乐和声音。本产品不得用于任何其它用途。任何其它用途或在其它操作条件下使用均视为不当，可能导致人身伤害或财产损失。对因使用不当造成的损坏概不负责。

## 9. 处理信息



本产品包含电池和可回收电子产品。为保护环境，请勿与一般生活垃圾一起处置，而应带到适当的当地收集点。

SOUNDBOKS包装材料可回收利用，我们建议在处理时将标有回收符号的零件单独分类。

## 10. 标识



Bluetooth®商标和标志是Bluetooth SIG, Inc. 拥有的注册商标，其使用已获得许可。

iPhone®是Apple, Inc.的注册商标

Android™是Google, Inc.的商标



产品上的SKAA兼容徽章表明该产品经过测试，完全符合SKAA标准的所有要求，并获得了SKAA认证。该产品将与SKAA音频传输和接收设备生态系统中的其它产品无缝协作。有关SKAA标准的更多信息，请访问[www.SKAA.com](http://www.SKAA.com)。SKAA®名称及其相关标记、标志和图标是Eleven Engineering Incorporated的商标或注册商标。

## 11. 结束语

我们希望您能享受SOUNDBOKS产品，如果有任何问题、想法或任何其它要求，请随时与我们联系。我们很愿意与您交谈！

请随时给我们发送邮件至[info@SOUNDBOKS.com](mailto:info@SOUNDBOKS.com)

### **美国公司地址：**

SOUNDBOKS Inc.  
1968 S. Coast Hwy #2510  
Laguna Beach CA 92651  
United States of America

### **世界其它地区：**

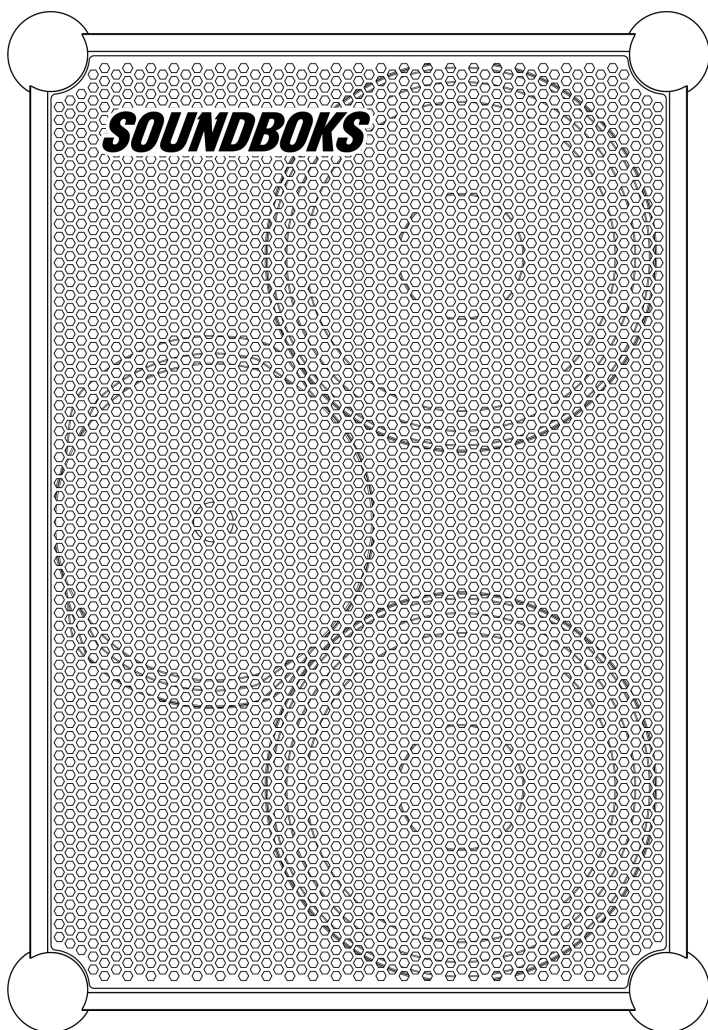
SOUNDBOKS ApS  
CVR : 36457597  
Esromgade 15, 1107  
2200 Copenhagen N  
Denmark



**SOUNDBOKS**

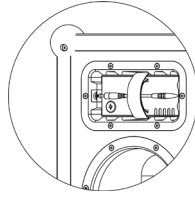
(الجيل 4) SOUNDBOKS

دليل المستخدم



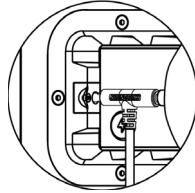
## الجيل القادم من SOUNDBOKS

تحكّم في القوة الكاملة لأفاق جديدة من الصوت والتصميم وأداء  
البلوتوث، مع SOUNDBOKS (الجيل 4).



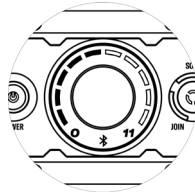
01 اشحن BATTERYBOKS بالكامل لمدة 3.5 ساعات  
تقريبًا للحصول على أفضل أداء.

02 عند اكتمال الشحن، أدخل BATTERYBOKS (بلطف)  
في فتحة البطارية إلى أن تتناسب معها بشكل مريح. ثم وصل  
موصل التيار المستمر.



ⓘ تجنب دائمًا توصيل الشاحن  
بمكبر الصوت مباشرة من دون  
البطارية، حيث إن الشاحن  
الذي زُوِّدت به ليس مصدرًا  
للطاقة.

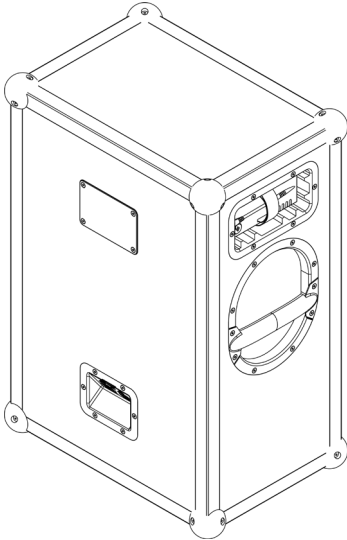
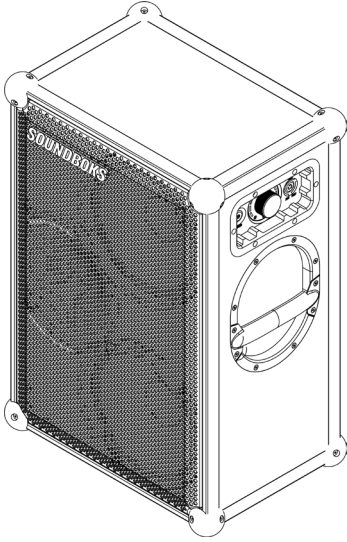
03 الشاحن ليس مصدرًا للطاقة. صُممت  
SOUNDBOKS للعمل من خلال البطارية فقط. صُمم مقبس الشاحن  
بنمط حرف "T" لاستخدامه مع بطارياتك فقط أثناء  
التشغيل بمستويات صوت معتدلة. أبقى مستوى صوت  
SOUNDBOKS أقل من النصف، مثل توقف عقرب  
الساعة على الميناء عند الساعة 12 مع إضاءة 5 مؤشرات، عند  
التشغيل والشحن في آن واحد.



04 شغّل مكبر الصوت بالضغط على زر التشغيل. عندما  
تضيء مصابيح LED الموجودة حول زر مستوى الصوت،  
فأنت جاهز للاتصال.

05 للتوصيل، انتقل إلى إعدادات البلوتوث على جهازك،  
وابحث عن #YourTeamID الخاص بـ SOUNDBOKS  
وحده. يوجد معرف Team الفريد الخاص بك على الجزء  
الخلفي لمكبر الصوت.

06 اختر أغنيتك المفضلة، وارفع الصوت، واخرج لتجذب  
الانتباه.



لديك أسئلة؟

احصل على إجابات سريعة هنا.



148

## 1. **SOUNDBOKS** (الجيل 4)

1.1 نظرة عامة

1.2 المواصفات

1.3 معالجة إضاءة LED

1.4 التخصيص

1.5 SKAA ووزر الربط

158

## 2. **BATTERYBOKS** والشاحن

2.1 نظرة عامة

2.2 شحن BATTERYBOKS

160

## 3. الضمان والخدمة

162

## 4. تحديد المسؤولية

163

## 5. إخلاء المسؤولية

164

## 6. الامتثال

166

## 7. التحذير والتنبيه والإشعار

169

## 8. الاستخدام المحدد

170

## 9. معلومات التخلص من المنتج

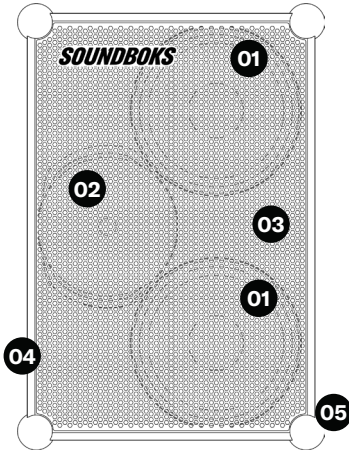
171

## 10. العلامات

172

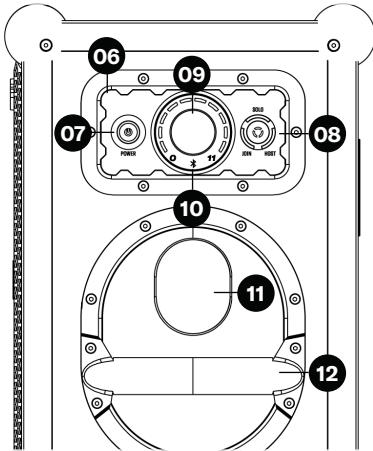
## 11. الملاحظات النهائية

# 1. (الجيل 4) SOUNDBOKS

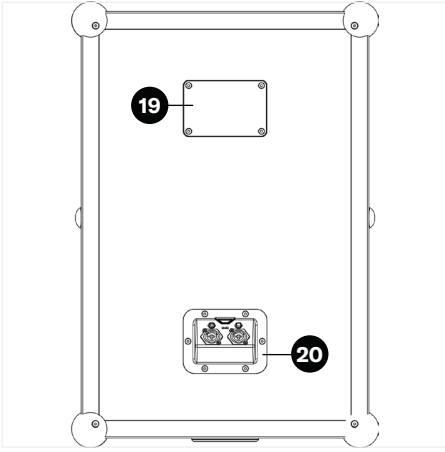


- 01 السماعات الداخلية لصوت الجهير
- 02 مكبر التردد العالي
- 03 شبكة القفل
- 04 زوايا ألومنيوم مطلية بمسحوق طلاء
- 05 زوايا بنمط كرات مطاطية من السيليكون

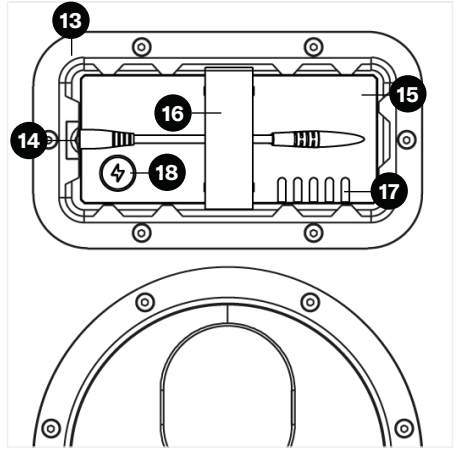
- 1.1 نظرة عامة
- 1.2 المواصفات
- 1.3 معالجة إضاءة LED
- 1.4 التخصيص
- 1.5 SKAA وزر الربط



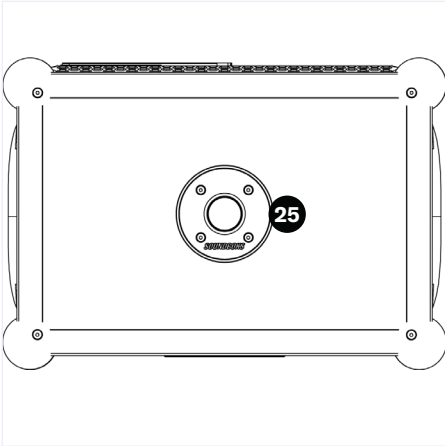
- 06 لوحة واجهة المستخدم
- 07 زر التشغيل
- 08 زر TeamUP (للتشغيل المنفرد/ المضيف/ الربط)
- 09 زر مستوى الصوت
- 10 مؤشر LED للبلوتوث
- 11 منفذ انعكاس النبض
- 12 مقبض استيل مطلي بمسحوق طلاء



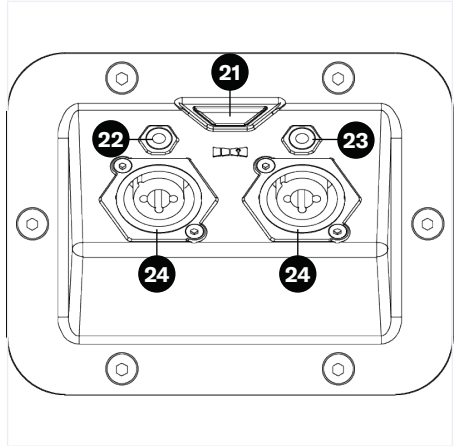
SOUNDBOKS معرف Team الفريد الخاص بوحدة (الجيل 4)  
20 اللوحة الاحترافية



13 منفذ البطارية  
14 مدخلات التيار المستمر (DC)  
BATTERYBOKS 15  
16 شريط  
17 مؤشر LED لعمر البطارية  
18 زر حالة مستوى البطارية



25 مسند قائم



21 زر الربط "Bond" المتوافق مع SKAA ومؤشر LED  
22 مدخل استريو مقاس 3.5 مم (1/8 بوصة)  
23 مخرج استريو مقاس 3.5 مم (1/8 بوصة)  
24 مداخل مجموعة ميكروفونات/ الآلات الموسيقية (XLR, 1/4 بوصة)

# 1. SOUNDBOKS (الجيل 4)

## الصوت

### مضخم الصوت

تقنية تبديل مضخم الصوت Merus Audio eximo\*  
مضخمات 3 × 72 واط RMS فئة D.  
معالج الإشارة الرقمية (DSP) المتطور لصوت الجهير

### وحدات السماعات الداخلية

مكبرات الصوت للتردد المنخفض 2 × 10 بوصات  
مكبر صوت الضغط للتردد العالي 1 × 1 بوصة

### الصوتيات

نطاق التردد الفعال: 40 هرتز - 20 كيلو هرتز  
مخطط سرعة الصوت مخصص مع محسن الجهير  
منفذ منعكس النبض المخصص

### التوصيل

بلوتوث 5.0  
إمكانية توصيل TeamUp لاسلكي مع ما يصل إلى 5 منتجات  
SOUNDBOKS متوافقة مع SKAA

### التوافق

يتوافق المنتج مع iPhone® و Android™

### اللوحة الاحترافية

مدخلان لمجموعة ميكروفونات/ الآلات الموسيقية (XLR، 1/4 بوصة)  
مدخل استريو مقاس 1 × 3.5 مم (1/8 بوصة)  
مخرج استريو مقاس 1 × 3.5 مم (1/8 بوصة)



## الهيكل

### الأبعاد

66 × 43 × 32 سم (25.6 × 17 × 13 بوصة (الارتفاع × العرض × العمق))

1.1 نظرة عامة

1.2 المواصفات

1.3 معالجة إضاءة LED

1.4 التخصيص

1.5 SKAA وزر الربط

السعة: 99.84 واط / الساعة أو 7.8 أمبير/ الساعة

الوزن

16.1 كجم / 35.5 رطلاً



#### المواد

#### عمر البطارية

40 ساعة وفقاً لمستوى الصوت المتوسط  
5 ساعات وفقاً لأعلى مستوى صوت  
3.5 ساعات للشحن الكامل

كابينة من خشب الحور

إطاراً ألومنيوم مطلي بمسحوق طلاء

مقابض استيبل مطلية بمسحوق طلاء

شبكة استيبل مطلية بمسحوق أو سائل طلاء (بحسب تغيير اللون)

زوايا بنمط كرة من السيليكون

#### الخصائص

#### نظام إدارة البطارية (BMS)

حماية من التفريغ الزائد والتفريغ المستنفد

حماية ضد المماس الكهربائي

حماية من الحرارة الزائدة

إدارة جهد الخلية

يبدأ وضع النوم بعد 14 يوماً من عدم النشاط. اضغط على الزر ⚡ للاستيقاظ

شبكة وبطاريات قابلة للتبديل

منفذ انعكاس النبض

مسند قائم مقياس 1 × 35 Ø مم

لوحة واجهة المستخدم:

التحكم في مستوى الصوت

وضع المضيف / الربط لتوصيل TeamUP اللاسلكي

#### النقل

البطارية معتمدة من حيث السلامة للنقل الآمن وفقاً لمعيار UN38.3

#### درجة الحرارة

الاستخدام العام: 20- درجة مئوية إلى 55 درجة مئوية

التخزين الموصى به: 5 درجات مئوية إلى 20 درجة مئوية للحصول

على أفضل عمر للمنتج

## الشاحن

#### البطارية

#### أداء الشاحن

التصميم

مؤشر LED من 5 درجات لعمر البطارية

موصل التيار المستمر المعزز

المدخلات: 100 - 240 فولت ~ 50 - 60 هرتز، 1.2 أمبير كحد

أقصى

الناتج: 14.0 فولت --- أمبير

#### نوع الخلية

بطارية ليثيوم أيون قابلة لإعادة الشحن

فوسفات حديد الليثيوم (LiFePO4)



#### أداء البطارية

الناتج: 12.8 فولت ---

درجة حرارة التفريغ - 20 درجة مئوية إلى 55 درجة مئوية (4-

درجات فهرنهايت إلى 131 درجة فهرنهايت)

درجة حرارة الشحن من 0 درجة مئوية إلى 40 درجة مئوية (32

درجة فهرنهايت إلى 104 درجات فهرنهايت)

ستحافظ SOUNDBOKS (الجيل 4) على الطاقة عن طريق إيقاف التشغيل المتعاقب لمؤشرات LED بعد 10 ثوانٍ من ثبات مستوى الصوت.

## 1. (الجيل 4) SOUNDBOKS

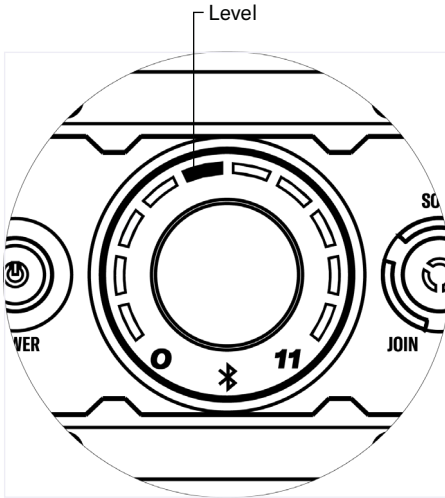
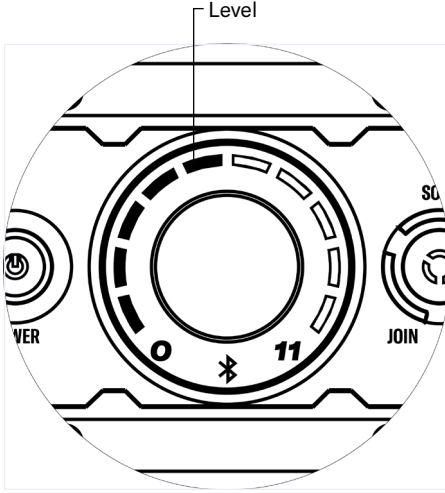
1.1 نظرة عامة

1.2 المواصفات

**1.3** معالجة إضاءة LED

1.4 التخصيص

1.5 SKAA ووزر الربط





# 1. SOUNDBOKS (الجيل 4)

صُممت أحدث شبكة لـ SOUNDBOKS بهدف تسهيل التخصيص، أي كل ما عليك فعله هو إخراج الشبكة وإزالة الشعار والإيمان بإبداعك الداخلي، ويمكنك تحويل SOUNDBOKS الجديدة إلى تحفة فنية.

إليك الدليل لبدء التخصيص خطوة بخطوة.

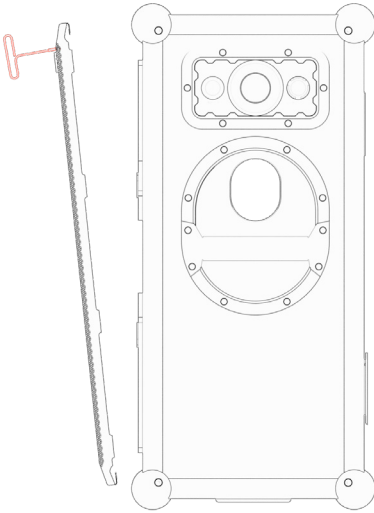
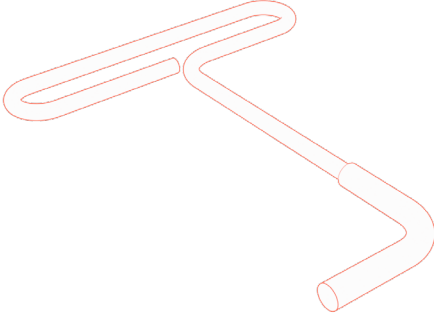
1.1 نظرة عامة

1.2 المواصفات

1.3 معالجة إضاءة LED

1.4 التخصيص

1.5 SKAA وزر الربط



## إزالة الشبكة

تُثبت شبكة SOUNDBOKS (الجيل 4) بمكبر الصوت باستخدام إبرزم سريع الإطباق، ويمكن إزالتها باستخدام أداة المرفقة لإزالة الشبكة. تتكون هذه الأداة من مقبض وطرف معالج بالمطاط.

لإزالة الشبكة، استخدم الطرف المعالج بالمطاط للربط في فتحات الشبكة. سيكون السحب من زوايا الشبكة أسهل. ابدأ بسحب الشبكة من مكبر الصوت بحذر. فك الشبكة في نقاط

متعددة على حد سواء بطول الحواف حتى تنفصل ويمكن إزالتها يدويًا.

### إزالة شعار SOUNDBOKS

أبقى هذا الشعار نظيفًا، فك الشعار واحتفظ به في مكان آمن.

### عبر عن هويتك

اجعل SOUNDBOKS جزءًا منك. يمكن للشبكة أن تتعامل مع معظم أنواع الطلاء، فما عليك سوى التأكد من وضع طبقة من طلاء التأسيس أولاً، ثم المادة المانعة للتسرب بعد لتدوم طويلًا.

### وقت الحماس

استبدل الشعار وأعد الشبكة مرة أخرى. وصل موسيقاك وشغلها واصطحب SOUNDBOKS المخصصة معك إلى العالم الخارجي.

# 1. SOUNDBOKS (الجيل 4)

1.1 نظرة عامة

1.2 المواصفات

1.3 معالجة إضاءة LED

1.4 التخصيص

1.5 SKAA وزر الربط

فيما يلي دليل المستخدم الرسمي لجهاز استقبال SKAA. يستعرض تفصيلاً طريقة التشغيل واستكشاف الأخطاء وإصلاحها في زر الربط "Bond"، الموجود في الجزء الخلفي لـ SOUNDBOKS (الجيل 4) على اللوحة الاحترازية. زر الربط "Bond" هو زر التحكم في وضع الربط من خلال ميزة الربط اللاسلكي على التوالي، TeamUP. يحتوي كل جهاز استقبال من SKAA\* على قائمة خضراء تحتفظ بأجهزة الإرسال المفضلة لديك. يشير المؤشر الأخضر بجهاز الاستقبال إلى أنك تستمع إلى أغنية مفضلة أو تبحث عن واحدة. يمكن لجهاز الاستقبال أيضاً الاستكشاف للعثور على أجهزة إرسال جديدة، ويشير المؤشر الكهربائي إلى أنك تستكشف أجهزة الإرسال غير المدرجة في قائمتك الخضراء. المجموعة هي منتج مكون من قطعتين أو أكثر تعمل كقطعة واحدة. يتيح لك زر الربط "Bond" تحديد جهاز الإرسال الذي تستمع إليه. يتضمن زر الربط "Bond" شعاراً يتكون من سهمين.



تشهد علامة التوافق مع SKAA الموجودة على المنتج أن هذا المنتج قد تم اختباره وأنه متوافق تمامًا مع جميع متطلبات معيار SKAA وتم منحه شهادة SKAA. سيعمل هذا المنتج بسلاسة مع المنتجات الأخرى في نظام SKAA البيئي لأجهزة إرسال واستقبال الصوت. لمزيد من المعلومات حول معيار SKAA، يرجى زيارة [www.SKAA.com](http://www.SKAA.com). يعد اسم SKAA\* والعلامات والشعارات والأيقونات المرتبطة به علامات تجارية أو علامات تجارية مسجلة لشركة Eleven Engineering Incorporated

المضمون	المؤشر	الأمر	زر الربط "Bond"
تم الإضافة تم الحذف	● إلى ● وميض	الإضافة/ الحذف إضافة جهاز الإرسال الحالي يدويًا إلى القائمة الخضراء لديك أو حذفه منها.	الانتظار بضع ثوانٍ
تم الإضافة	● إلى	ستضيف ميزة الإضافة التلقائية (Auto Add) من جهاز SKAA إرسال Amber الحالي تلقائيًا إلى قائمتك الخضراء إذا استمعت إليها لمدة 30 دقيقة	الانتظار بضع ثوانٍ
البحث الخيار التالي تم الربط	● خافت ● وميض ● ساطع	<b>الوضع الكهربائي</b> يتم التقلب عبر قائمة أجهزة الإرسال المفضلة لديك (القائمة الخضراء)، وعند العثور على جهاز الإرسال المفضل لديك، يتوقف البحث ويتم تشغيل الصوتمن جهاز الإرسال هذا.	نقرة واحدة
البحث تم الربط	● خافت ● ساطع	<b>الوضع الكهربائي</b> استكشاف أجهزة الإرسال الجديدة غير المعروفة (غير المدرجة بالفعل في قائمتك الخضراء).	نقرتان
وميض تم كتم الصوت	● أو ● بطيء	<b>كتم الصوت</b> يتم النقر مرة أخرى لإلغاء كتم الصوت؛ أي أمر بالنقر سيُلغى كتم الصوت أولاً، ثم بعد ذلك سيؤدي وظيفته	3 نقرات
البحث تم الربط	● خافت ● ساطع	<b>الوضع الأحمر</b> إذا كان لديك جهازَي إرسال أو أكثر في قائمتك الخضراء، فيمكنك تشغيل الجهاز الذي ترغب في الاستماع إليه فحسب ويتم تشغيله تلقائيًا	4 نقرات
تم إعادة الضبط	● وميض	<b>إعادة ضبط المصنع</b> مسح القائمة الخضراء. ابدأ من جديد!	6 نقرات
جهاز الاستقبال في وضع Cluster Up تم إنشاء المجموعة بنجاح	● وميض ● ساطع	1. تُبث مكبرات صوت الربط "JOIN" لإضافتها إلى المجموعة على بعد 3 أمتار من مكبر صوت الربط الرئيسي "Master JOIN". 2. أوقف تشغيل مكبر الصوت المضيف "HOST". 3. شغل جميع مكبرات صوت الربط "JOIN" لإضافتها إلى المجموعة، ولكن استمر في إيقاف تشغيل مكبر صوت الربط الرئيسي "Master JOIN". 4. بالنسبة لمكبر صوت الربط الرئيسي "Master JOIN"، اضغط باستمرار على زر الربط "Bond" قبل الضغط على زر التشغيل، أي اضغط باستمرار وانتظر حتى يبدأ الوميض الأحمر بالإضاءة، حرر زر التشغيل أولاً، ثم زر الربط "Bond". سيومض مكبر صوت الربط الرئيسي "Master JOIN" باللون الأحمر. ستطفأ جميع مصابيح LED الأخرى على مكبر صوت الربط الرئيسي "Master JOIN". 5. عندما يومض مؤشر LED الخاص بمكبر صوت الربط الرئيسي "Master JOIN" باللون الأحمر، اضغط على زر الاتصال	الاستمرار في الضغط أثناء التشغيل

”Connect“ حتى يتم تحديد الربط ”JOIN“ على جميع سماعات الربط ”JOIN“ التي تريد إضافتها إلى المجموعة. سيتوفر لديك 10 ثوانٍ فحسب لهذه الخطوة.

6. عندما يتم قبول جميع مكبرات صوت الربط ”JOIN“ في المجموعة، ستتحول مؤشرات LED إلى اللون الأحمر الثابت.

7. بمجرد أن تصبح جميع مؤشرات LED لربط كل مجموعة باللون الأحمر الثابت، قم بإيقاف تشغيل جميع سماعات الربط ”JOIN“.

8. شغّل مكبر الصوت المضيف ”HOST“ وضعه في وضع المضيف ”HOST“، بالنقر فوق زر الاتصال ”Connect“. قم بتوصيل الصوت عن طريق البلوتوث أو AUX لتشغيل الموسيقى على مكبر الصوت المضيف ”HOST“.

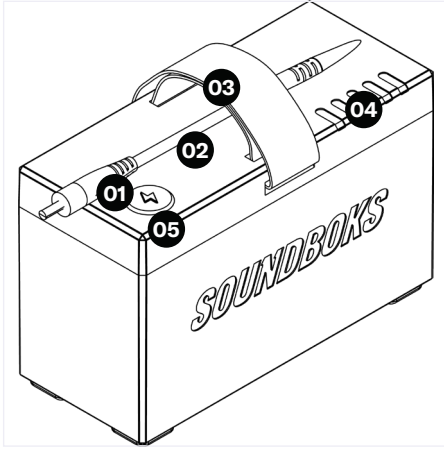
9. شغّل مكبرات صوت الربط ”JOIN“ في المجموعة وضعها في وضع الربط ”JOIN“. تعمل جميع مكبرات الصوت الآن على تشغيل الموسيقى من المضيف ”HOST“. يمكن التحكم في مستوى الصوت في جميع مكبرات صوت الربط ”JOIN“ من أي من مكبرات صوت الربط ”JOIN“ في المجموعة، ويتم كذلك مشاركة وظيفة النقر الثلاثي لزر الربط ”BOND“ بين المجموعة لكتم صوت جميع سماعات الربط ”JOIN“.

يتضمن زر الربط ”Bond“ في مكبر صوت الربط الرئيسي ”Master JOIN“ وظيفة النقر ذاتها كما هو موضح أعلاه. يتم التحكم في مستوى صوت مكبر صوت الربط ”HOST“ منفرداً حيث ينعزل عن المجموعة. لإلغاء وضع المجموعة في الوحدة، كرّر الخطوة 4. انتظر إلى أن يستقر اللون الأحمر، ثم انقر 6 مرات فوق زر الربط ”Bond“

## 2. BATTERYBOKS وشاحن

2.1 نظرة عامة

2.2 المواصفات



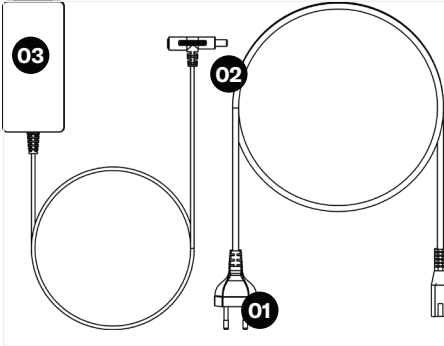
01 قايِس التيار المستمر للبطارية

02 كابل التيار المستمر

03 حزام الحمل

04 مؤشّر LED لعمر البطارية

05 زر حالة مستوى البطارية



القايِس الإقليمِي للاستخدام المرجعي فقط

01. كابل التيار الكهربائي

02 مدخلات التيار المستمر للبطارية

03 قايِس التيار المستمر للشاحن

## 2. BATTERYBOKS وشاحن

2.1 نظرة عامة

2.2 المواصفات

لا تنسَ فصل البطارية بعد شحنها بالكامل ولا تتركها في الشحن لأكثر من 6 ساعات في الشحنة الواحدة، لأن ذلك قد يؤدي إلى إتلاف البطارية. فيما يلي طريقتان لشحن BATTERYBOKS:

### شحن البطارية خارج SOUNDBOKS (الجيل 4)

أدخل قابس التيار المستمر لوحدة BATTERYBOKS في مدخل التيار المستمر للشاحن الذي زُوِّدت به وقم بتوصيل كابل التيار الكهربائي بأقرب منفذ طاقة لديك.

### شحن البطارية داخل SOUNDBOKS (الجيل 4)

الشاحن ليس مصدرًا للطاقة. صُممت SOUNDBOKS للعمل من خلال البطارية فقط. صُمم مقبس الشاحن بنمط حرف "T" لاستخدامه مع بطاريته فقط أثناء التشغيل بمستويات صوت معتدلة. أبقى مستوى صوت SOUNDBOKS أقل من النصف، مثل توقف عقرب الساعة على الميناء عند الساعة 12 مع إضاءة 5 مؤشرات، عند التشغيل والشحن في آن واحد.

### هام

تجنب دائماً استخدام SOUNDBOKS (الجيل 4) من دون BATTERYBOKS، أي عن طريق توصيل الشاحن مباشرة بوحدة SOUNDBOKS (الجيل 4).

استخدم فقط شاحنًا مرخصًا به وبطارية تُباع من SOUNDBOKS أو من خلال موزع معتمد آخر. تحمل جميع شواحن وبطاريات SOUNDBOKS الرسمية شعار SOUNDBOKS على العلامة الخلفية

تضمن SOUNDBOKS ("الضمان المحدود") خلو منتج SOUNDBOKS من عيوب المواد والتصنيع وقت الشراء الأصلي للمستخدم النهائي ("العميل" أو "أنت"). يغطي هذا الضمان المحدود وظائف منتج SOUNDBOKS للاستخدام المقصود على نحو طبيعي في البيئة الواردة أدناه فقط، ولا يشمل الأعطال التي تنتج عن الاستخدام غير المناسب أو غير المعقول أو الوارد كذلك في قسم 4 أدناه، بالإضافة إلى أي إصلاح غير مصرح به أو الاستهلاك العادي أو أسباب خارجية، مثل وقوع حوادث أو إساءة استخدام أو تصرفات أو حوادث أخرى خارجة عن سيطرتنا المعقولة.

يُصدر هذا الضمان المحدود للعميل الذي يشتري منتج SOUNDBOKS الجديد من SOUNDBOKS مباشرةً. لا يمكن التنازل عن هذا الضمان المحدود أو نقله إلى أي مشترٍ أو مستخدم تباغًا. يخضع أي منتج من SOUNDBOKS يتم شراؤه من بائع تجزئة معتمد لشروط الضمان التي يوفرها بائع التجزئة المعتمد هذا. يقتصر الضمان المحدود على إصلاح منتج SOUNDBOKS أو استبداله وفقًا لتقدير SOUNDBOKS، ولا يشمل هذا الضمان المحدود تكاليف نقل منتج SOUNDBOKS أو فكّه أو تثبيته. يمتد هذا الضمان المحدود لمدة عامين (2) من تاريخ الشراء الأصلي للعميل

لمنتج SOUNDBOKS. في حال تلقي SOUNDBOKS، أثناء فترة الضمان المطبقة، إشعارًا صالحًا بوجود عيب في أي منتج من منتجات SOUNDBOKS الذي يخضع لتغطيته ضمان SOUNDBOKS.

للاطلاع على قائمة بالمنتجات المتضمنة في الضمان، يرجى الانتقال إلى [SOUNDBOKS.com/help](http://SOUNDBOKS.com/help). ستجري SOUNDBOKS، وفقًا

لاختيارها، ما يلي

(أ) في غضون فترة زمنية مناسبة من تلقي الإخطار بالعيب:

(ب) إصلاح العيب من دون مقابل، باستخدام قطع غيار جديدة أو مجدية.

(ج) أو استبدال المنتج.

قد يختلف وقت الرد من بلد إلى آخر، ويعتمد، من بين أمور أخرى، على مدى توفر قطع الغيار والعمالة والنقل.

**لتلقي الخدمة: تفضل بزيارة [SOUNDBOKS.COM/HELP](http://SOUNDBOKS.COM/HELP)**

يمنحك هذا الضمان المحدود بعض الحقوق القانونية المحددة وقد تتمتع أيضًا بحقوق قانونية أخرى، التي تختلف من ولاية إلى أخرى. تُقيد مدة جميع الضمانات الضمنية وسبل جبر ضررها، بما يشمل، على سبيل المثال لا الحصر، ضمانات صلاحية العرض في السوق والملاءمة لغرض معين، بمدة هذا الضمان المحدود الصريح. لا تتيج بعض الولايات في الولايات المتحدة الأمريكية فرض قيود على مدة سريان الضمان الضمني، لذا، قد لا تنطبق عليك القيود المذكورة أعلاه.



تُحدّد الشروط والأحكام الخاصة بشراء منتجات SOUNDBOKS الضمان الخاص بالعيوب والمطابقة، والضمان التجاري الإضافي المحتمل، الذي تمنحه SOUNDBOKS. يمكن الاطلاع على الشروط والأحكام الخاصة بالمستهلكين (من العميل إلى المستهلك "B2C") وللمشتريين التجاريين (من العميل إلى العميل "B2B") عبر ([www.SOUNDBOKS.com/terms](http://www.SOUNDBOKS.com/terms)). تطبق الشروط والأحكام المحددة في حال استخدام المنتج لنشاط الاستئجار. ترد الحقوق بموجب الضمانات المعنية وشروطها وقيودها وسبل جبر الضرر في هذه الشروط والأحكام. ننصحك بقراءة الشروط والأحكام المطبقة لدينا. نذكر المستهلكين المقيمين في الاتحاد الأوروبي بأن من حقهم الحصول على ضمان قانوني.

**كيفية الحصول على خدمة الضمان أو تقديم مطالبة الضمان:**  
في أوروبا:

SOUNDBOKS ApS, Esromgade 15, 2200 Copenhagen  
info@[SOUNDBOKS.com](mailto:info@SOUNDBOKS.com), N, Denmark; CVR nr. 36457597

اتصل بمزود الخدمة واتبع الإجراءات المحددة من مزود الخدمة. في الولايات المتحدة وكندا: تواصل مع SOUNDBOKS Inc., 1725 S. Coast Hwy #2510 1968

Laguna Beach CA 92651, USA، البريد الإلكتروني: info@[SOUNDBOKS.com](mailto:info@SOUNDBOKS.com)

يمكن الاطلاع على الرقم التسلسلي لوحدة SOUNDBOKS (الجيل 4) داخل الجزء المخصص للبطارية.

## 4. تحديد المسؤولية

تُعد سبل جبر الضرر الموضحة أعلاه الوحيدة والحصريّة لك ومسؤوليتنا الكاملة عن أي خرق لهذا الضمان المحدود. لا يجوز أن تتجاوز مسؤوليتنا تحت أي ظرف من الظروف المبلغ الفعلي الذي دفعته مقابل المنتج المعيب، ولن نكون مسؤولين تحت أي ظرف من الظروف عن أي تعويضات أو أضرار تبعية أو عرضية أو خاصة أو عقابية، سواء كانت مباشرة أو غير مباشرة. لا تتيح بعض الولايات في الولايات المتحدة الأمريكية استثناء التعويضات العرضية أو التبعية، أو تقييدها، لذا، قد لا ينطبق عليك التقييد أو الاستثناء الوارد أعلاه.

باستثناء ما ورد في الضمان المحدود، وإلى الحد الذي يسمح به القانون، لا يجوز بأي حال من الأحوال وتحت أي ظرف من الظروف أن تتحمل SOUNDBOKS وموظفوها والشركات التابعة لها ومجلس إدارتها و/ أو أي من مالكي الشركة أو مورديها التابعين لجهات خارجية، المسؤولية عن التعويضات المباشرة أو غير المباشرة أو الخاصة أو العشوائية أو التبعية (هما يشمل على سبيل المثال لا الحصر الخسارة المالية والأضرار الشخصية وفقدان الأصول والممتلكات) سواء كان ذلك استناداً إلى عقد أو مسؤولية تقصيرية أو أي نظرية قانونية أخرى، أو بموجب هذا الدليل على سبيل المثال لا الحصر التعويضات المباشرة أو غير المباشرة أو الخاصة أو العشوائية أو التبعية الناتجة عن الاستخدام المهمل والخاطئ وغير المناسب للمنتج. تتطلب SOUNDBOKS، فيما يتعلق بما سبق ذكره، استرعاء الانتباه تحديداً إلى حقيقة أن التصرفات التالية ستعفي SOUNDBOKS من أي مسؤولية:

- توصيل البطاريات ومكبر الصوت بشكل خاطئ
- تعرض منتج SOUNDBOKS لأي شكل من أشكال السقوط باستمرار
- غمر أي جزء من أجزاء منتج SOUNDBOKS بالسوائل، بجميع أشكالها
- استخدام منتجات SOUNDBOKS لأغراض أخرى بخلاف الأغراض التي تستخدم لها بانتظام
- استخدام شواحن أخرى بخلاف التي تنتجها أو تُسلمها SOUNDBOKS
- استخدام بطاريات أخرى بخلاف التي تنتجها أو تُسلمها SOUNDBOKS
- إجراء تعديل أو تجديد أو إعادة تحديد الغرض لأي أجزاء من أي منتج من منتجات SOUNDBOKS، دون تصريح بذلك، باستثناء فك شبكة SOUNDBOKS وتخصيصها، باستخدام الأداة المزود بها المنتج

## الاتحاد الأوروبي



موجب هذا الدليل، تعلن SOUNDBOKS ApS، بصفتها الشركة المصنعة لوحدة SOUNDBOKS (الجيل 4)، أن SOUNDBOKS (الجيل 4) تمتاز للمتطلبات الأساسية والأحكام الأخرى ذات الصلة لتوجيهات الاتحاد الأوروبي التالية:

توجيه المعدات اللاسلكية EU/2014/53

التوافق الكهرومغناطيسي EU/2014/30

توجيه الجهد المنخفض EU/2014/35

توجيه التصميم البيئي EC/2009/125 ولائحة (الاتحاد الأوروبي) 2017/1369

التوجيه المتعلق بتقييد استخدام المواد الخطرة EU/2011/65  
وتوجيه EU/2015/863

لائحة المادة المثيرة للقلق الشديد لتسجيل وتقييم المواد الكيميائية وإصدار التراخيص لها "REACH SVHC" (المفوضية الأوروبية) رقم 1907/2006

توجيه نفايات المعدات الكهربائية والإلكترونية (WEEE) 2012/19/EU

يحتوي هذا المنتج على بطاريات تدرج ضمن التوجيه الأوروبي للبطارية EC/2006/66، المعدل بالتوجيه 2013/56، أي لا يمكن التخلص منها مع النفايات المنزلية العادية. يرجى اتباع اللوائح المحلية.

يمكنك الحصول على نسخة مجانية من إعلان المطابقة عن طريق التواصل مع SOUNDBOKS ApS

## الاتحاد الأوروبي

المستورد:

SOUNDBOKS INC  
S. Coast Hwy #2510 1968  
Laguna Beach CA 92651  
الولايات المتحدة الأمريكية

يتوافق هذا الجهاز مع قسم 15 من قواعد لجنة الاتصالات الفيدرالية FCC. تخضع العملية للشروطين التاليين:

- لا يمكن أن يتسبب هذا الجهاز في حدوث تداخل ضار.
- يجب أن يقبل هذا الجهاز أي تداخل يستقبله، بما يشمل التداخل الذي قد يؤدي إلى تشغيل غير مرغوب فيه.

ويجب أن يقبل هذا الجهاز أي تداخل، بما يشمل التداخل الذي قد يؤدي إلى تشغيل للجهاز غير مرغوب ف

خضع هذا الجهاز للاختبار، وثبت أنه يتوافق مع حدود الأجهزة الرقمية من الفئة ب، وفقاً لقسم 15 من قواعد لجنة الاتصالات الفيدرالية (FCC). صُممت هذه الحدود لتوفير الحماية المناسبة ضد التداخل الضار في المنشآت السكنية.

1. لا يمكن أن يتسبب هذا الجهاز في حدوث تداخل،

2. ويجب أن يقبل هذا الجهاز أي تداخل، بما يشمل التداخل الذي قد يؤدي إلى تشغيل للجهاز غير مرغوب فيه.

يعمل هذا الجهاز على إنشاء طاقة تردد لاسلكي واستخدامها وإمكانية نشرها، وإذا لم يُثبت ويُستخدم وفقاً للإرشادات، فقد يتسبب في حدوث تداخل ضار في الاتصالات اللاسلكية. ومع ذلك، لا يوجد ما يضمن تجنب حدوث تداخل في حالة تثبيت معين.

#### معلومات التعرض للترددات اللاسلكية (RF)

لا تتجاوز طاقة الخرج المشعّة للجهاز اللاسلكي حدود التعرض للترددات اللاسلكية التي تفرضها وزارة الابتكار والعلوم والتنمية الاقتصادية الكندية (ISED). يجب استخدام الجهاز اللاسلكي بطريقة تحدّ من إمكانية الاتصال البشري أثناء التشغيل العادي. فضلاً عن ذلك، خضع هذا الجهاز للتقييم، وثبتت توافقه مع حدود التعرض للترددات اللاسلكية التي تفرضها وزارة الابتكار والعلوم والتنمية الاقتصادية الكندية (ISED)، في ظل ظروف التعرض للأجهزة المحمولة (تبتعد الهوائيات مسافة 20 سم عن جسم الإنسان).

إذا تسبب هذا الجهاز في حدوث تداخل ضار لاستقبال الراديو أو التلفزيون، ويمكن تحديد ذلك عن طريق إيقاف تشغيل الجهاز وتشغيله مرة أخرى، فإننا نحث المستخدم على محاولة تصحيح التداخل باتباع أحد الإجراءات التالية أو أكثر:

- إعادة توجيه هوائي الاستقبال أو نقله إلى مكان آخر.
- زيادة المسافة الفاصلة بين الجهاز وجهاز الاستقبال.
- توصيل الجهاز بمنفذ ذي دائرة مختلفة عن التي يتصل بها جهاز الاستقبال.
- استشارة الموزع أو الفني المتخصص في الراديو/ التلفزيون لتلقي المساعدة.

#### تحذير:

قد يؤدي إجراء أي تغييرات أو تعديلات دون الموافقة عليها صراحة من الطرف الضامن لهذا الجهاز إلى إلغاء صلاحية المستخدم لتشغيل الجهاز.

#### تحذير التعرض للترددات اللاسلكية

يجب تثبيت هذا الجهاز وتشغيله وفقاً للتعليمات المزود بها، ويجب تثبيت الهوائي (الهوائيات) المستخدم لجهاز الإرسال هذا مع توفير مسافة فصل لا تقل عن 20 سم من جميع الأشخاص ويجب تجنب وضعه في موقع مشترك أو تشغيله بالتزامن مع أي هوائي أو جهاز إرسال آخر.

يجب على المستخدمين النهائيين ومسؤولي التركيب تجهيز تعليمات تركيب الهوائي وظروف تشغيل جهاز الإرسال لاستيفاء الامتثال للتعرض للتردد اللاسلكي.

#### كندا

بيان وزارة الصناعة في كندا.

يحتوي هذا الجهاز على جهاز (أجهزة) إرسال/ استقبال معفاة من الترخيص مما يمثل لمواصفات معايير الراديو (RSS) المعفاة من الترخيص لدى وزارة الابتكار والعلوم والتنمية الاقتصادية الكندية. تخضع العملية للشروط التاليين:  
لا يمكن أن يتسبب هذا الجهاز في حدوث تداخل،

**WARNING**

يشير التحذير إلى حدوث موقف خطير، وإذا لم يتم تجنبه، فقد يؤدي إلى الوفاة أو التعرض لإصابة خطيرة.

**CAUTION**

يشير التنبيه إلى حدوث موقف خطير، وإذا لم يتم تجنبه، فقد يؤدي إلى التعرض لإصابة طفيفة أو متوسطة.

**NOTICE**

يُستخدم الإشعار للتعامل مع الممارسات غير المتعلقة بالإصابة الشخصية.

**WARNING****مكبر الصوت**

- يرتفع مستوى صوت مكبرات الصوت لدرجة عالية للغاية. لذا، يجب توخي الحذر عند الوقوف أمام مكبر الصوت أو الوجود بالقرب منه، حيث يمكن أن يؤدي ذلك إلى تلف السمع.
- إذا لاحظت أي علامات تدل على حدوث تلف محتمل، مثل انصهار البلاستيك أو الارتفاع غير الطبيعي في درجات الحرارة أو انبعاث روائح خارج مكبر الصوت، فأوقف تشغيل المنتج. تواصل مع SOUNDBOKS عبر [info@SOUNDBOKS.com](mailto:info@SOUNDBOKS.com).
- في حال انبعاث دخان من الجهاز، أو شم رائحة احتراق، أو صدور أصوات غريبة، بادر بفصله من التيار الكهربائي أو البطارية فوراً، وتجنب تشغيله مرة أخرى. تواصل مع SOUNDBOKS عبر [info@SOUNDBOKS.com](mailto:info@SOUNDBOKS.com).
- قد يتسبب عدم استقرار القاعدة في انحدار الوحدة وإصابة شخص ما أو حتى قتله؛ تزيد احتمالية تعرض الأطفال للخطر. يمكنك منع وقوع عدد كبير من الحوادث من خلال اتخاذ الاحتياطات التالية:
  - استخدم المنتج على سطح مستقر دائماً. تجنب وضع مكبر صوت SOUNDBOKS في مكان قد يسقط منه ويتسبب في إصابة شخص ما.
  - إذا تعذر تركيب مكبر الصوت SOUNDBOKS بإحكام، فلا تستخدمه داخل المركبات، أو في الأماكن غير المستقرة، أو على الحوامل الثلاثية أو الأثاث غير المستقر، أو مع تدعيمات غير كافية، وغير ذلك.

• وضع مكبر صوت SOUNDBOKS بطريقة لا يمكن أن يصطدم أحد بها دون قصد، وتأكد من أن الكابلات لا تشكل خطر التعثر بها.

• عند تخزين مكبر صوت SOUNDBOKS، تأكد أيضًا من تثبيتها بأمان، وعدم إمكانية إسقاطها أو الاصطدام بها.

#### الشاحن

• احرص على قراءة فصل التعليمات الخاص بالشاحن وكابل التيار المتردد قبل الاستخدام.

• لتجنب خطر التعرض لصدمة كهربائية أو تلف المنتج، استخدم مكبر الصوت SOUNDBOKS مع الشاحن المعتمد دائمًا، مثل الشاحن المرفق مع الوحدة.

• تجنب دائمًا حمل الشاحن من الكابل...

• يُستخدم سلك الكهرباء والشاحن للاستخدام الداخلي فقط.

• استخدم شاحن SOUNDBOKS الرسمي فقط.

• تجنب دائمًا توصيل الشاحن بالسماعة مباشرة دون توصيل البطارية.

#### البطارية

• احرص على قراءة فصل التعليمات الخاص بالبطارية قبل الاستخدام.

• قد يؤدي التعامل الخاطئ مع البطاريات القابلة لإعادة الشحن إلى نشوب حريق أو حدوث انفجار.

• ابقِ البطارية القابلة لإعادة الشحن بعيدًا عن المشابك الورقية أو العملات المعدنية أو المفاتيح أو البراغي أو الأجسام المعدنية الأخرى التي يمكن أن توصل بين الملامسات الكهربائية. قد يؤدي قصر الدائرة الناتج عن ملامسات البطارية القابلة لإعادة الشحن إلى الإصابة بحروق أو نشوب حريق.

• استخدم بطاريات SOUNDBOKS الرسمية فقط.

• قد يؤدي استخدام بطاريات السيارات أو البطاريات غير الرسمية إلى حدوث مواقف خطيرة، بما يشمل مخاطر نشوب حريق أو حدوث انفجار.

• إذا استُخدمت على نحو خاطئ، فقد يتسرب حمض البطارية التآكلي من داخل البطارية القابلة لإعادة الشحن، وتجنب أي تلامس لها. في حال التلامس العرضي لها، فيجب شطف الجلد فورًا بكمية كبيرة من الماء والحصول على العناية الطبية.

• تجنب حمل البطارية القابلة لإعادة الشحن من الكابل.

• تجنب الارتطامات والضغط الحاد.

• يوجد خطر نشوب حريق أو حدوث انفجار إذا تم استبدال البطارية بنوع غير مناسب.

• يمكن أن يؤدي التخلص من البطارية في النار أو فرن ساخن، أو تسكيرها أو قطعها ميكانيكيًا إلى حدوث انفجار

• قد يؤدي ترك البطارية في بيئة محيطة ذات درجة حرارة مرتفعة للغاية إلى حدوث انفجار أو تسرب سائل أو غاز قابل للاشتعال.

• تتعرض البطارية لضغط هواء منخفض للغاية؛ ما قد يؤدي إلى حدوث انفجار أو تسرب سائل أو غاز قابل للاشتعال.

#### تعليمات عامة

• تجنب السماح للأطفال بتشغيل الأجهزة الكهربائية دون الإشراف عليهم.

• تجنب دائمًا فتح غطاء الجهاز. لا يجوز إجراء الإصلاحات إلا من خلال ورشة عمل متخصصة معتمدة. في هذه العملية، لا يمكن استخدام سوى قطع الغيار التي تتوافق مع بيانات الجهاز الأصلية فقط.

• لا تستخدم سوى الملحقات المحددة من الشركة المصنعة.

• إذا وصلت المياه أو أي حطام آخر واخترقت الغطاء؛ فيادر بسحب القابس الرئيسي وإزالة البطارية القابلة لإعادة الشحن فورًا. ثم تواصل مع SOUNDBOKS عبر [info@SOUNDBOKS.com](mailto:info@SOUNDBOKS.com).

• تجنب دائمًا تعديل أي قطعة في الجهاز. قد تؤثر التعديلات غير المصرح بها على السلامة والوظائف والضمان. لا يُسمح بالتعديلات سوى الشبكة الأمامية.

• يمكن أن يعرضك هذا الجهاز وملحقاته للمواد الكيميائية، بما يشمل الرصاص، المعروف في ولاية كاليفورنيا بأنه يسبب السرطان والتشوهات الخلقية أو غيرها من الأضرار التناسلية.

#### CAUTION

• قد يؤدي الاستماع إلى الأصوات العالية لفترات طويلة إلى فقدان السمع. لتجنب الإضرار بالصحة، تجنب الاستماع إلى أصوات عالية لفترات طويلة.

#### NOTICE

• يعمل هذا الجهاز في نطاقات التردد التالية (للبليوتوث وBLE و2.4 جيجا هرتز)؛ 2402 ~ 2480 ميغا هرتز. يبلغ الحد الأقصى لقوة الترددات اللاسلكية 8.4 ديسيبل ملي واط

• يعد سوء الاستخدام الجسم والرعاية الخاطئة من الأسباب الرئيسية لتلف البطاريات القابلة لإعادة الشحن عالية الأداء.

• تجنب التفريغ العميق الذي يقل عن 20% للاستمتاع بأمثل طاقة للبطارية القابلة لإعادة الشحن.

- اشحن بطاريته القابلة لإعادة الشحن بشكل متكرر.
- خزن بطاريته القابلة لإعادة الشحن في منطقة فاترة، ولكنها خالية من الصقيع، من الناحية المثالية عند 15 درجة مئوية/ 59 درجة فهرنهايت، يؤدي ارتفاع درجات الحرارة إلى ارتفاع معدل التفريغ الذاتي وتقليص الفترات الفاصلة بين الشحنات.
- تجنب عرض البطارية القابلة لإعادة الشحن لأشعة الشمس المباشرة أو مصادر الحرارة الأخرى.
- يؤدي التفريغ العميق إلى إتلاف خلايا البطارية القابلة لإعادة الشحن. يُعد التخزين المطول أو عدم استخدام البطارية القابلة لإعادة الشحن المفرغة جزئيًا من الأسباب الأكثر شيوعًا للتفريغ العميق. تجنب تخزين البطارية القابلة لإعادة الشحن إلا بعد شحنها بالكامل.
- إذا تعرضت SOUNDBOKS لدرجات حرارة دافئة بعد أن كانت باردة (على سبيل المثال بعد النقل)، فقد يحدث تكثف داخليًا. في هذه الحالة، انتظر ساعتين على الأقل قبل التوصيل وتنشيط SOUNDBOKS.
- تجنب وضع مصادر النار المكشوفة، مثل الشموع المشتعلة أو ما شابه ذلك على SOUNDBOKS.
- تجنب وضع SOUNDBOKS بالقرب من مصادر الحرارة (مثل السخانات والأفران).
- تأكد من وجود تهوية كافية.
- تجنب تغطية المنتج بالسائتر أو البطانيات أو الملصقات أو ما شابه ذلك. يمكن أن يؤدي تراكم الحرارة داخل أي منتج من منتجات SOUNDBOKS إلى قصر عمره الافتراضي.
- إذا كنت ستترك SOUNDBOKS دون مراقبة لفترة طويلة (على سبيل المثال عندما تكون في إجازة)؛ فاقطع التيار وافصل الوحدة. تأكد من الحفاظ على SOUNDBOKS في مكان نظيف وجاف ومحمي.
- تجنب الشحن أو التفريغ الكهروستاتيكي. تجنب دائمًا استخدام الأقمشة الاصطناعية أو الإسفنج لتنظيف أي جزء من الجهاز، بدلاً من ذلك، استخدم الملابس المبللة بالماء فقط دون أي إضافات.



## 8. الاستخدام المحدد

هذا المنتج مكبر صوت، ويُقصد منه تشغيل الموسيقى والصوت فيما يتعلق بجهاز الموسيقى، مثل الهاتف الذكي أو الحاسوب اللوحي أو الأجهزة الأخرى المتوافقة معه. يجب عدم استخدام هذا المنتج لأي أغراض أخرى. يُعد أي استخدام آخر أو الاستخدام في ظل ظروف تشغيل أخرى غير لائق وقد يؤدي إلى حدوث إصابة شخصية أو تلف في الممتلكات. لن نتحمل أي مسؤولية عن الأضرار الناتجة عن الاستخدام الخاطئ.



يحتوي هذا المنتج على بطاريات وإلكترونيات قابلة لإعادة التدوير. لحماية البيئة، تجنب التخلص من النفايات المنزلية العامة، وبدلاً من ذلك، أرسلها إلى نقاط التجميع المحلية المناسبة.

يمكن إعادة تدوير مواد التعبئة من SOUNDBOKS، ونوصي بفرز الأجزاء المميزة برموز إعادة التدوير بشكل منفصل أثناء التخلص من المنتج.



تُعد علامة Bluetooth\* التجارية وشعاراتها علامات تجارية مسجلة مملوكة لشركة Bluetooth SIG, Inc. وتُستخدم بموجب ترخيص.

iPhone\* هي علامة تجارية مسجلة لشركة Apple, Inc.

Android™ هي علامة تجارية لشركة Google, Inc.



تشهد علامة التوافق مع SKAA الموجودة على المنتج أن هذا المنتج قد تم اختباره وأنه متوافق تمامًا مع جميع متطلبات معيار SKAA وتم منحه شهادة SKAA. سيعمل هذا المنتج بسلاسة مع المنتجات الأخرى في نظام SKAA البيئي لأجهزة إرسال واستقبال الصوت. لمزيد من المعلومات حول معيار SKAA، يرجى زيارة [www.SKAA.com](http://www.SKAA.com). يعد اسم SKAA\* والعلامات والشعارات والأيقونات المرتبطة به علامات تجارية أو علامات تجارية مسجلة لشركة Eleven Engineering Incorporated

## 11. الملاحظات النهائية

نأمل أن تحظى بوقت رائع مع منتج SOUNDBOKS، ولا تتردد في التواصل معنا بشأن أي أسئلة أو أفكار أو أي شيء آخر. يسرنا التحدث معك!

لا تتردد في مراسلتنا عبر [info@SOUNDBOKS.com](mailto:info@SOUNDBOKS.com)

الولايات المتحدة عنوان العمل:

, S. Coast Hwy #2510 1968

Laguna Beach CA 92651

الولايات المتحدة الأمريكية

لبقية دول العالم:

SOUNDBOKS ApS

سجل الأعمال التجارية المركزي (CVR): 36457597

Esromgade 15, 1107

Copenhagen N 2200

الدنمارك

